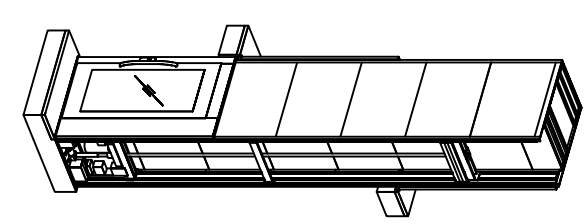
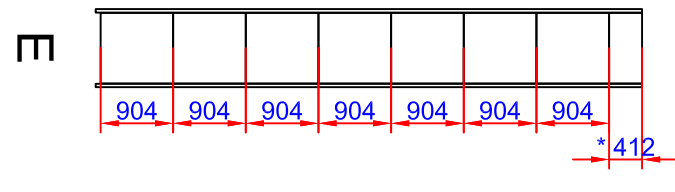
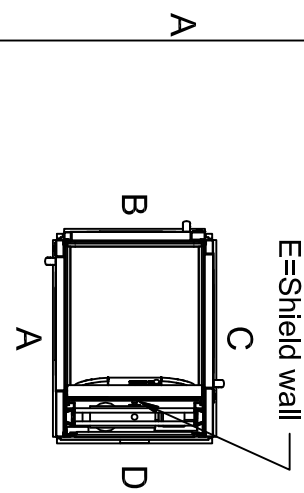


Positioning of machinery:



Options
 Frekv 1x230/240V 50-60Hz 16 A Soft
 Capacity: 300,00 kg

*To be adapted on site
 **Customized panel

Approved by
 builder:



European view placement:



Tender no
 Order no
Principal drawing
 A4000 - 1000*930
 Shaft drawing

Gen. Tolerances
 SS-ISO 27681-1 m
 Date
 2018-10-31
 sheet
 1 of 7
 Scale:
 A3, 1:60

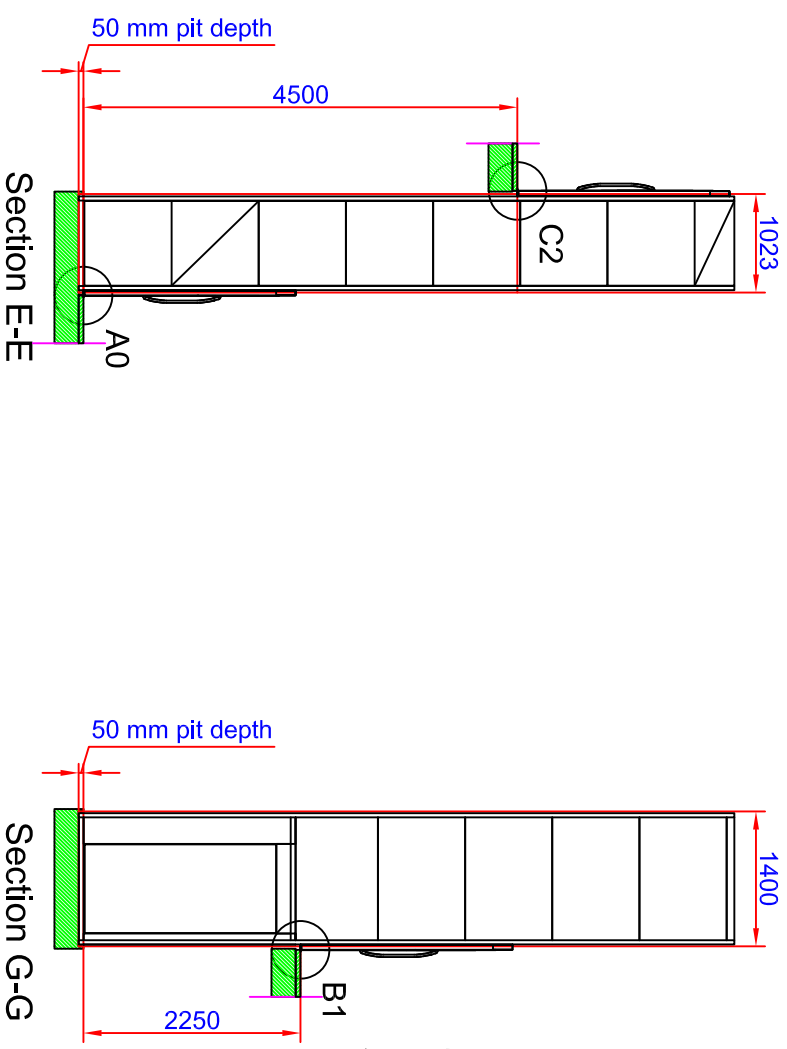
Shaft cutout sizes

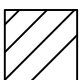
Lift unit installed within a shaft by others

Recommended positioning of fixing points.


Loads per fixing point, $F=250\text{ N}$

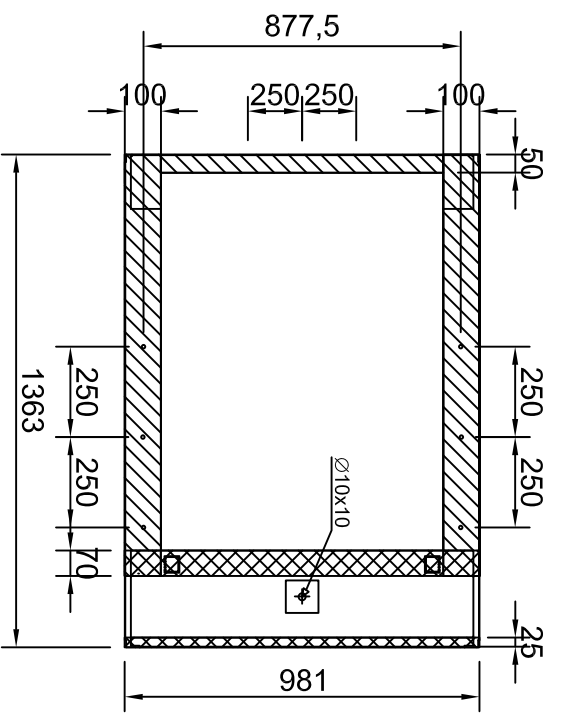
Door front cutout sizes		
Landing	Width	Height
A 0	1430	2250
B 1	1043	2250
C 2	1430	2250



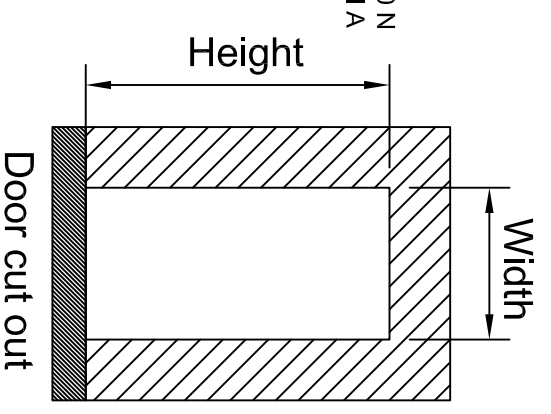
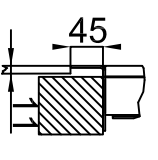
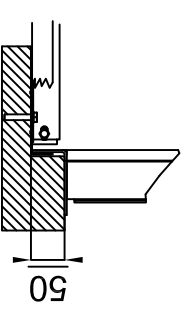
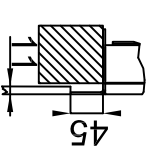
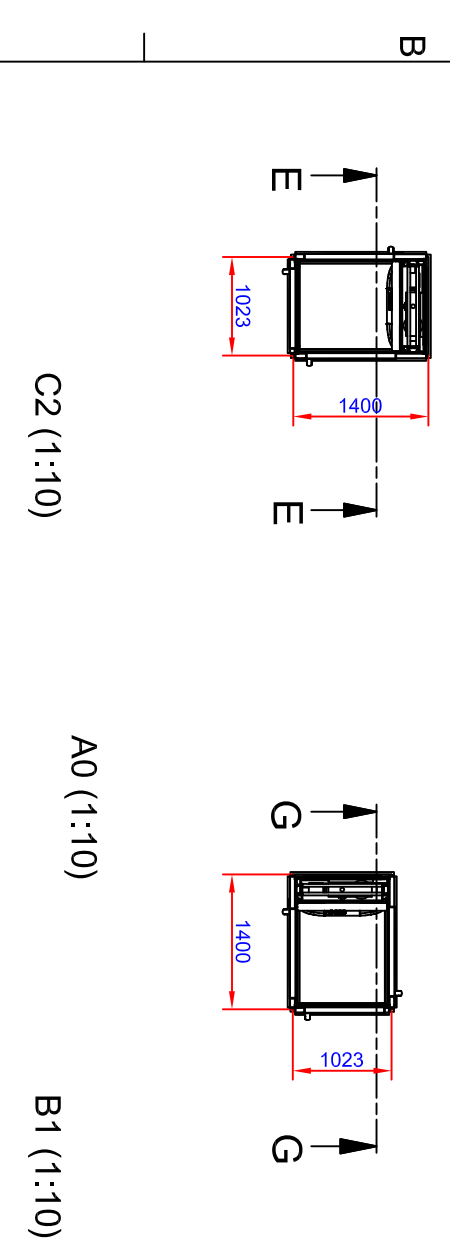
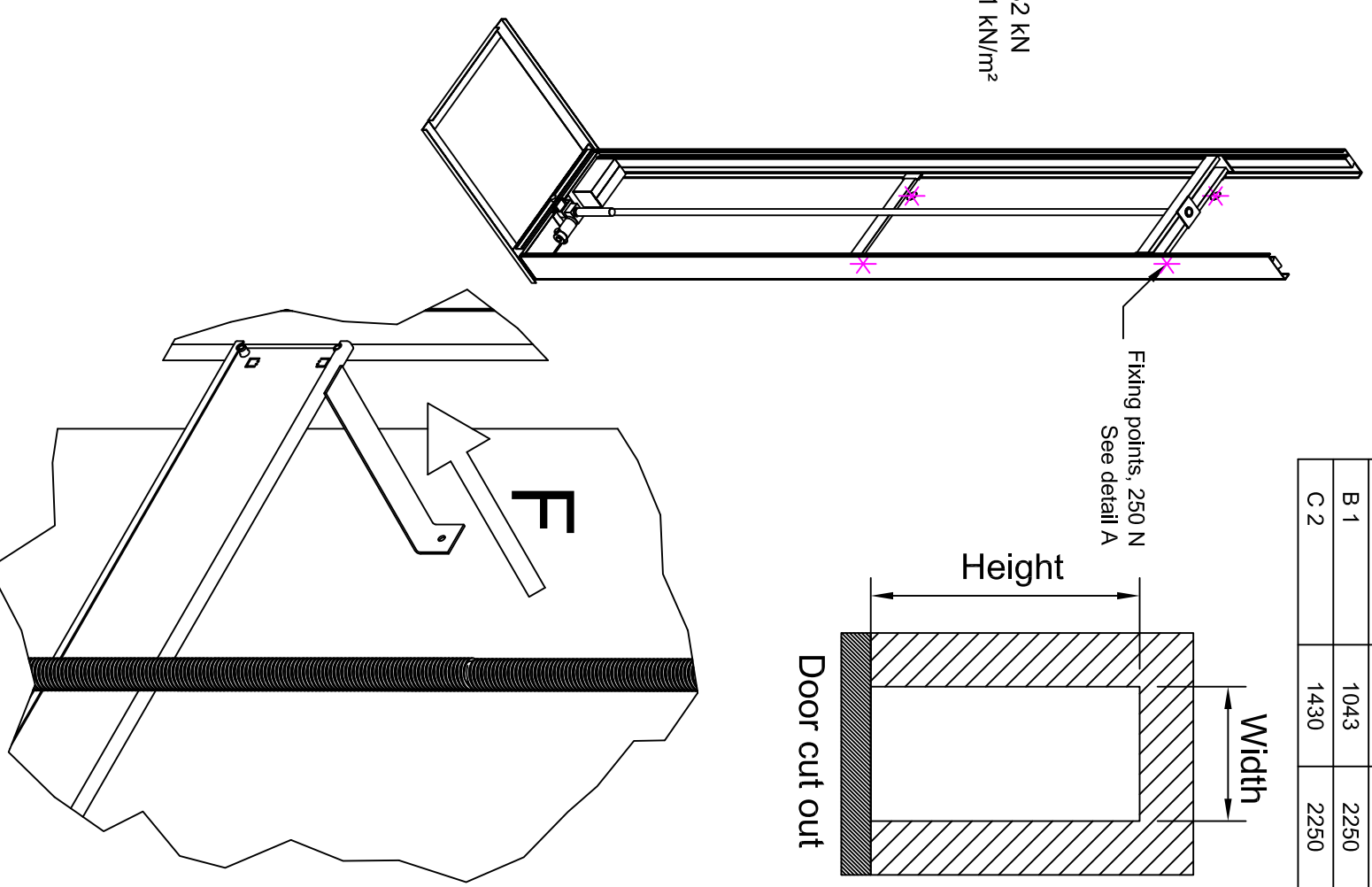
 L section force:
 6,54 kN
 L section load:
 21,44 kN/m²

Loads sustained by shaft and platform
 and fixing points bottom frame

 Mast force: 8,32 kN
 Mast load: 67,1 kN/m²



Scale: 1:20



Approved by
builder:

European view placement:



Tender no
 Order no
Principal drawing
 A44000 - 1000*930
 Cut out sizes

Gen. Tolerances	Date	Sheet	Scale:
SS-ISO 27681-1 m	2018-10-31	2 of 7	A3, 1:60