

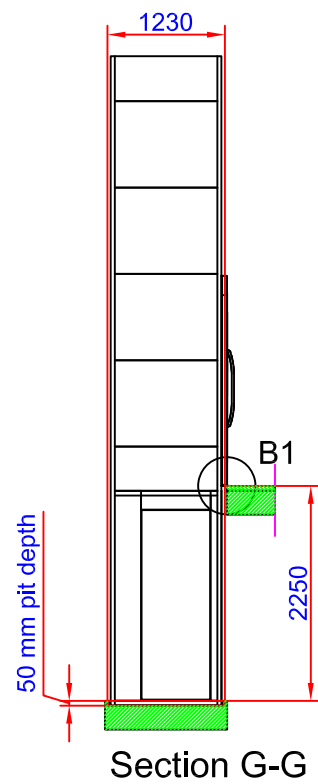
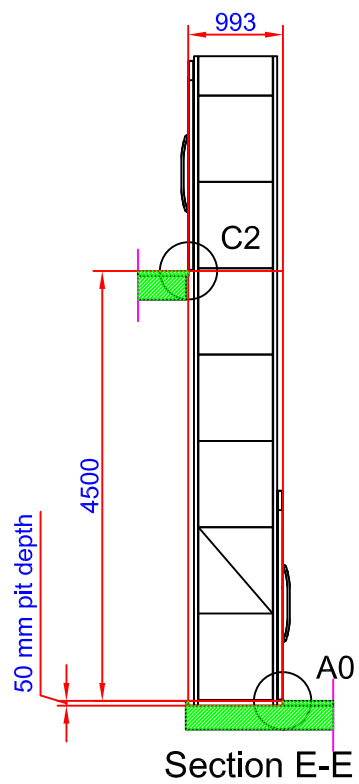


# Shaft cutout sizes

Lift unit installed within a shaft by others

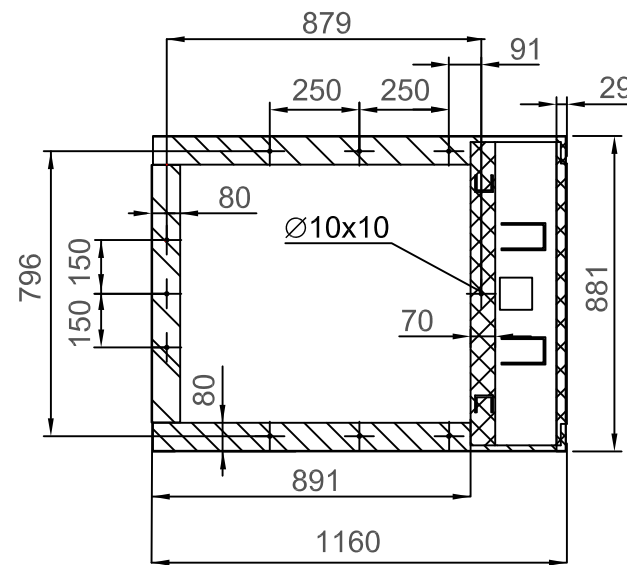
Recommended positioning of fixing points.  
Loads per fixing point, F=250 N

Door front cutout sizes		
Landing	Width	Height
A 0	1230	2250
B 1	993	2250
C 2	1230	2250

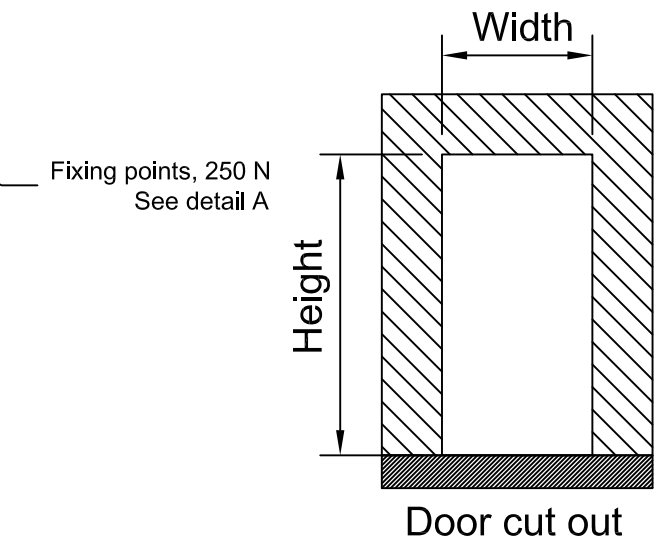
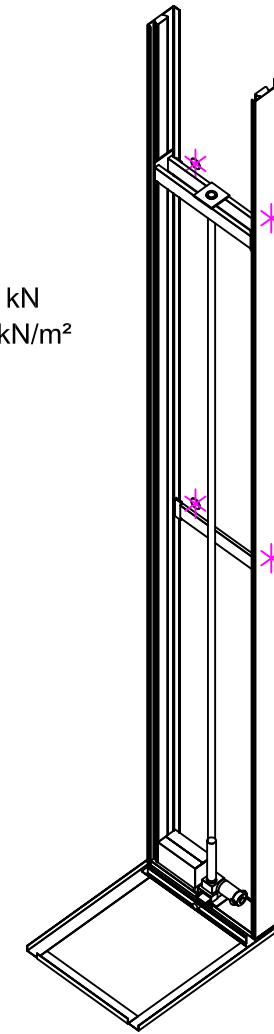


Loads sustained by shaft and platform and fixing points bottom frame

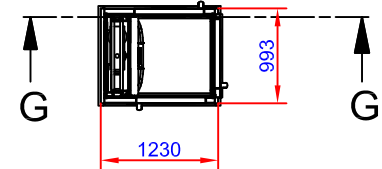
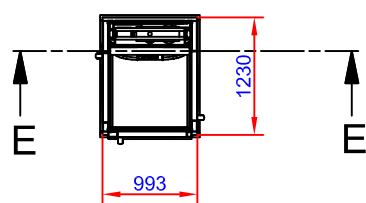
- L section force: 7,62 kN
- L section load: 24,98 kN/m<sup>2</sup>
- Mast force: 8,32 kN
- Mast load: 67,1 kN/m<sup>2</sup>



Scale: 1:20



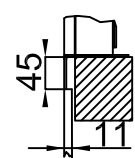
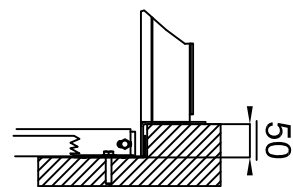
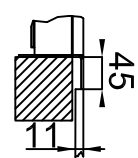
50 mm pit depth + 10 mm, - 0 mm.  
Bottom surface must be flat



C2 (1:10)

A0 (1:10)

B1 (1:10)



Approved by builder: \_\_\_\_\_

European view placement:



Tender no	Principal drawing		
Order no	A4000 - 800*830		
Gen. Tolerances	Date	sheet	Scale:
SS-ISO 27681-1 m	2018-09-06	2 of 7	A3, 1:60