
Technical specifications

Cibēs

CIBES A4000, CIBES A5000, CIBES AIR®,
CIBES A8000 & CIBES C1 PURE



TABLE OF CONTENTS

Cibes A4000, A5000 & Cibes Air®	2
Cibes A8000	9
Cibes C1 Pure	13

Technical specifications Cibes A4000, A5000 & Cibes Air®

Product name	Cibes A4000	Cibes A5000	Cibes Air®
Installation	Indoor	Indoor/outdoor ¹	Indoor
Rated load	300 kg	400/500 kg	300/400/500 kg
Power supply	1×230 VAC/3×230 VAC/3×400 VAC, 50 Hz, 16 A, 3×2,5 mm ²	1×230 VAC/3×230 VAC/3×400 VAC, 50 Hz, 16 A, 3×2,5 mm ²	1×230 VAC/3×230 VAC/3×400 VAC, 50 Hz, 16 A, 3×2,5 mm ²
Please note: The technical information about the fuses and the cross-sectional area of cables is for guidance only and must always be evaluated and checked by a professional electrician.			
Speed	Max 0.15 m/s	Max 0.15 m/s	Max 0.15 m/s
Top height	2250/1100 mm (door/gate)	2250/1100 mm (door/gate)	2250/1300 mm (door/gate)
Min headroom	2300 mm (door)	2300 mm (door)	2300 mm (door)
Pit depth	0/50/70 mm	0/50/70 mm	0/50/70 mm
Directives & Standards	MD 2006/42/EC, EN 81-41, SIL3 (Safety Integrity Level 3)	MD 2006/42/EC, EN 81-41, SIL3 (Safety Integrity Level 3)	MD 2006/42/EC, EN 81-41, SIL3 (Safety Integrity Level 3)
Drive system	Screw and nut	Screw and nut	Screw and nut
Lift controls	Hold-to-run on platform, one touch on landings	Hold-to-run on platform, one touch on landings	Hold-to-run on platform, one touch on landings
Control system	Micro computer based SIL3 (Safety Integrity Level 3)	Micro computer based SIL3 (Safety Integrity Level 3)	Micro computer based SIL3 (Safety Integrity Level 3)
Motor power	2.2 kW	2.2 kW	2.2 kW
Machine room	Machine room less (MRL)	Machine room less (MRL)	Machine room less (MRL)
Max number of stops	6	6	6
Max travel	15 m	15 m	15 m
Door configuration	Single hinged doors (L/R), single entry, open-through or adjacent access	Single hinged doors (L/R), single entry, open-through or adjacent access	Single hinged doors (L/R), single entry, open-through or adjacent access
Safety	Safety edges for the top of the platform and floor, overload protection, emergency stop and alarm button, telephone and battery emergency lowering are included as standard, various lock solutions and fire drive are available as options.		
Lift shaft	Tempered and laminated safety glass (4.0 mm + 0.76 mm PVB foil + 4.0 mm) or steel panels.		

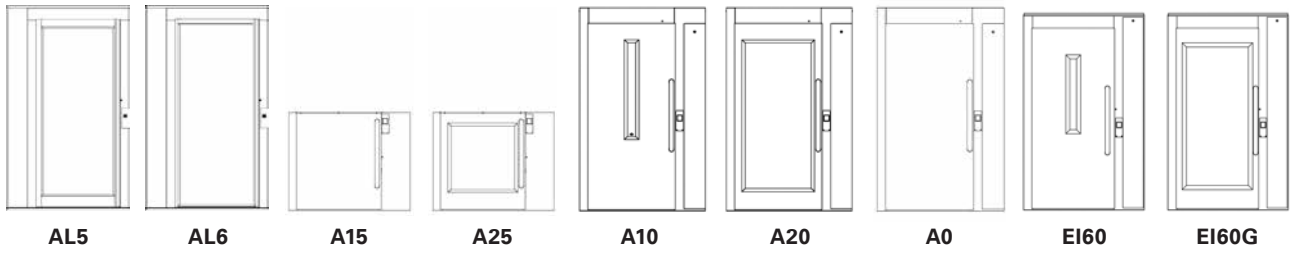
¹ Outdoor concept available for platform sizes 1000×1467 and 1100×1467 mm.

Platform size	Available for lift models	Platform (mm)		Shaft Size (mm)		Cut out size (mm)	
		Width	Depth	Width	Depth	Width	Depth
1	Cibes A4000/Air®	600	830	960	882	1000	993
2	Cibes A4000/Air®	800	830	1160	882	1200	993
3	Cibes A4000/Air®	900	830	1260	882	1300	993
4	Cibes A4000/Air®	1000	830	1360	882	1400	993
5	Cibes A4000/Air®	800	930	1160	982	1200	1093
6	Cibes A4000/Air®	900	930	1260	982	1300	1093
7	Cibes A4000/Air®	1000	930	1360	982	1400	1093
8	Cibes A4000/Air®	1100	930	1460	982	1500	1093
9	Cibes A5000/Air®	800	1217	1160	1265	1200	1380
10	Cibes A5000/Air®	900	1217	1260	1265	1300	1380
11	Cibes A5000/Air®	1000	1267	1360	1315	1400	1430
12	Cibes A5000/Air®	1000	1367	1360	1415	1400	1530
13	Cibes A5000/Air®	1100	1367	1460	1415	1500	1530
14	Cibes A5000/Air®	900	1467	1260	1515	1300	1630
15	Cibes A5000/Air®	1000	1467	1360	1515	1400	1630
16	Cibes A5000/Air®	1100	1467	1460	1515	1500	1630
17	Cibes A5000/Air®	1100	1597	1460	1645	1500	1760
18	Cibes A5000	1000	1967	1360	2015	1400	2130

Note: Shaft and cut out sizes may vary depending on lift configuration. For exact measurements, please ask Cibes for project specific drawings.

Door models

Door glazing in laminated and tempered safety glass.



Doors for Cibes A4000, A5000 and Cibes Air®								
Door model	A20	A10/A0	AL5	AL6	EI60 ¹	EI60G ¹	A25	A15
Door type	Single hinged	Single hinged	Single hinged	Single hinged	Single hinged	Single hinged	Single hinged	Single hinged
Material	Steel	Steel	Aluminium	Aluminium	Steel	Steel	Steel	Steel
Standard finish	RAL 9016	RAL 9016	Natural alum.	Natural alum.	RAL 9016	RAL 9016	RAL 9016	RAL 9016
Glass (w×h) ² mm	715×1573	90×1010/0	775×1835	825×1998	75×800	700×1563	710×710	-
Concealed opener	Option	Option	Option	Option	-	-	Option	Option
Ext. fitted opener	-	-	-	-	Option	Option	-	-
Customised w×h	Yes	Yes	Yes	Yes	Yes	Yes	Yes	Yes

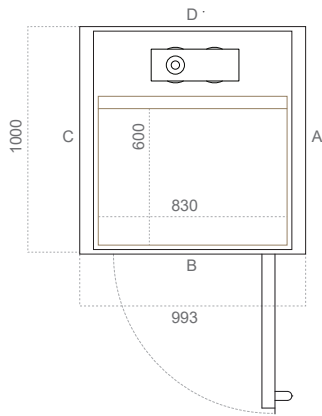
¹ Fire rated EI60 according to standard EN 81-58. Fire rated doors must always be combined with a site-built shaft, built by others, with equivalent/superior fire rating, depending on your local regulations.

² Glass dimensions for doors/gates with a clear opening of 900×2000/900×1100/1300 mm, 900×2070 mm for the AL5/AL6 doors.

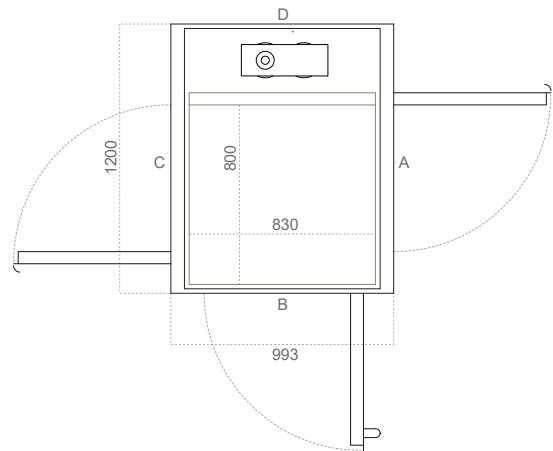


Cibes platform lift sizes

Lift size 1 Cibes A4000/Air® W×D (mm)	
Platform size	600×830
Shaft size	960×882
Cut out size	1000×993



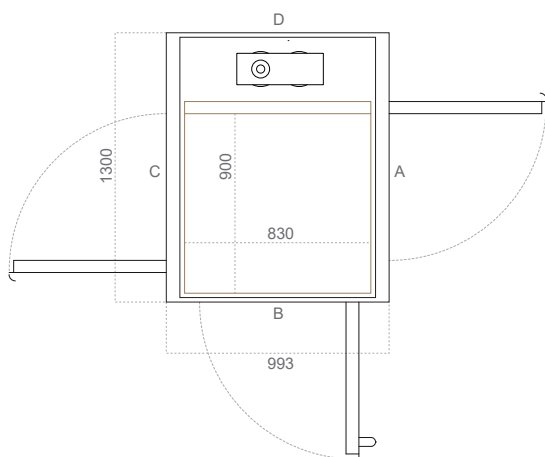
Lift size 2 Cibes A4000/Air® W×D (mm)	
Platform size	800×830
Shaft size	1160×882
Cut out size	1200×993



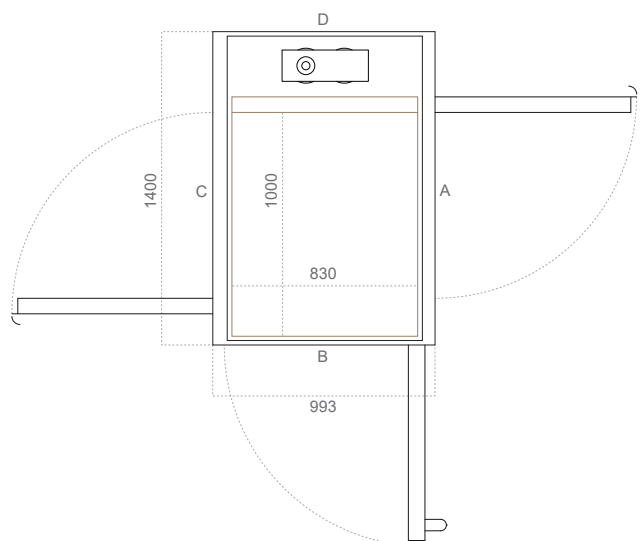
Door Opening Width (mm)		
Door Type	Side A/C	Side B
A10/A20 (steel)	-	700
AL5/AL6 (aluminium)	-	650
EI60/EI60G (fire rated)	-	-
A15/A25 (gate)	-	-

Door Opening Width (mm)		
Door Type	Side A/C	Side B
A10/A20 (steel)	700	700
AL5/AL6 (aluminium)	700	650
EI60/EI60G (fire rated)	700	-
A15/A25 (gate)	700	-

Lift size 3 Cibes A4000/Air® W×D (mm)	
Platform size	900×830
Shaft size	1260×882
Cut out size	1300×993



Lift size 4 Cibes A4000/Air® W×D (mm)	
Platform size	1000×830
Shaft size	1360×882
Cut out size	1400×993

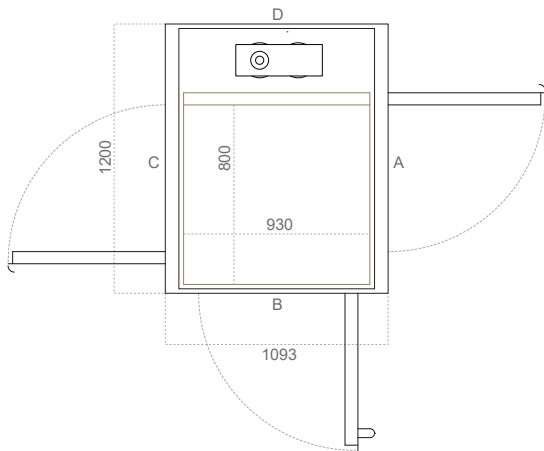


Door Opening Width (mm)		
Door Type	Side A/C	Side B
A10/A20 (steel)	800	700
AL5/AL6 (aluminium)	800	650
EI60/EI60G (fire rated)	800	-
A15/A25 (gate)	800	-

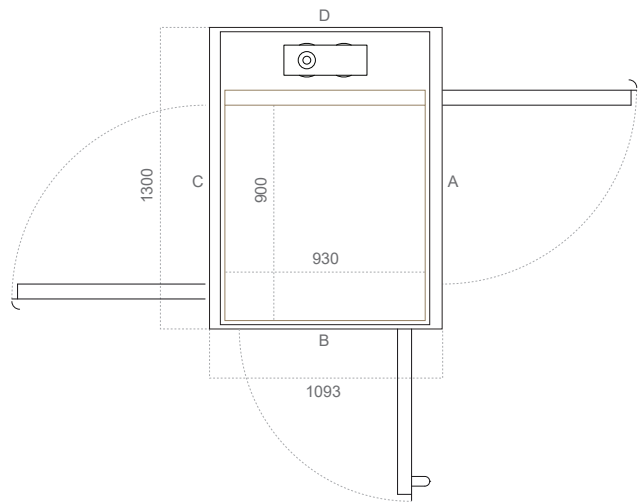
Door Opening Width (mm)		
Door Type	Side A/C	Side B
A10/A20 (steel)	900	700
AL5/AL6 (aluminium)	900	650
EI60/EI60G (fire rated)	900	-
A15/A25 (gate)	900	-

Cibes platform lift sizes

Lift size 5 Cibes A4000/Air® W×D (mm)	
Platform size	800×930
Shaft size	1160×982
Cut out size	1200×1093



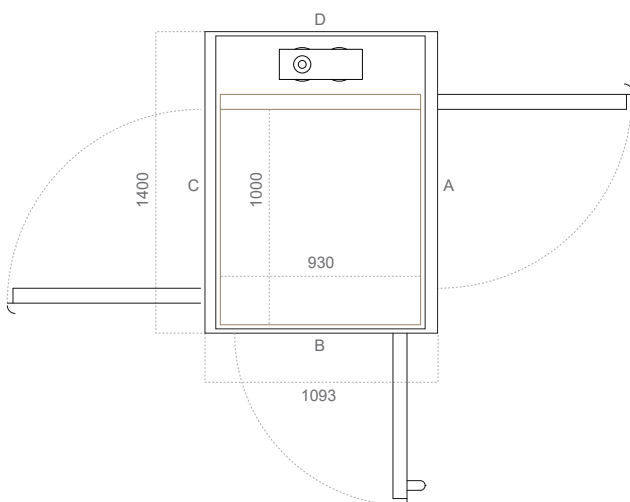
Lift size 6 Cibes A4000/Air® W×D (mm)	
Platform size	900×930
Shaft size	1260×982
Cut out size	1300×1093



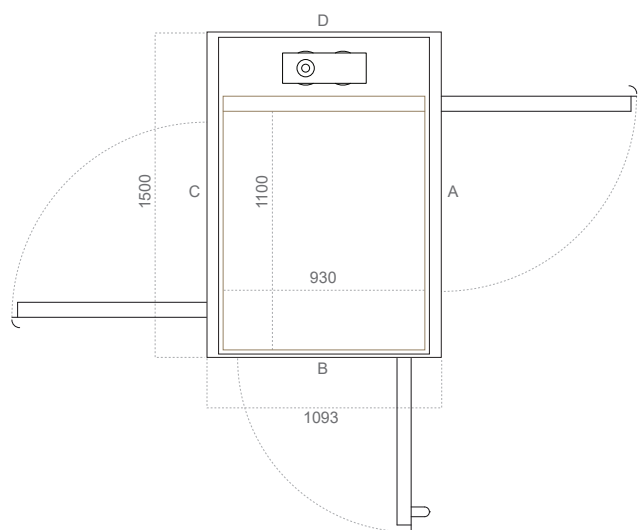
Door Opening Width (mm)		
Door Type	Side A/C	Side B
A10/A20 (steel)	700	800
AL5/AL6 (aluminium)	700	750
EI60/EI60G (fire rated)	700	-
A15/A25 (gate)	700	-

Door Opening Width (mm)		
Door Type	Side A/C	Side B
A10/A20 (steel)	800	800
AL5/AL6 (aluminium)	800	750
EI60/EI60G (fire rated)	800	-
A15/A25 (gate)	800	-

Lift size 7 Cibes A4000/Air® W×D (mm)	
Platform size	1000×930
Shaft size	1360×982
Cut out size	1400×1093



Lift size 8 Cibes A4000/Air® W×D (mm)	
Platform size	1100×930
Shaft size	1460×982
Cut out size	1500×1093

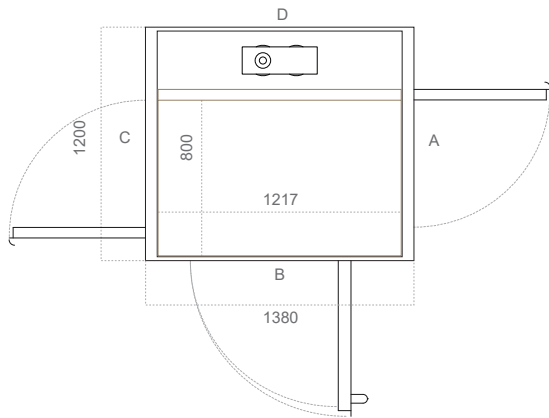


Door Opening Width (mm)		
Door Type	Side A/C	Side B
A10/A20 (steel)	900	800
AL5/AL6 (aluminium)	900	750
EI60/EI60G (fire rated)	900	-
A15/A25 (gate)	900	-

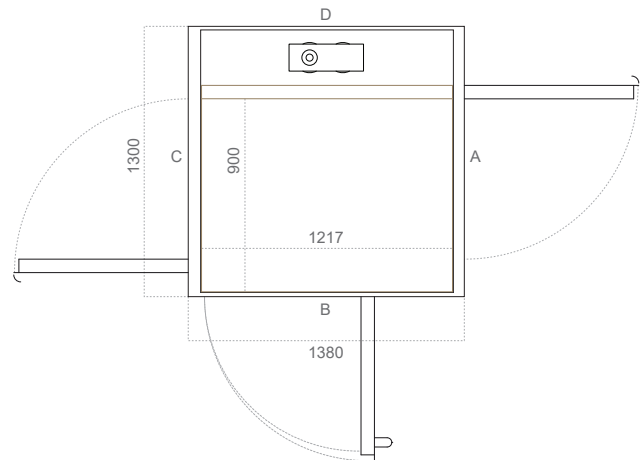
Door Opening Width (mm)		
Door Type	Side A/C	Side B
A10/A20 (steel)	900	800
AL5/AL6 (aluminium)	900	750
EI60/EI60G (fire rated)	900	-
A15/A25 (gate)	900	-

Cibes platform lift sizes

Lift size 9 Cibes A5000/Air® W×D (mm)	
Platform size	800×1217
Shaft size	1160×1265
Cut out size	1200×1380



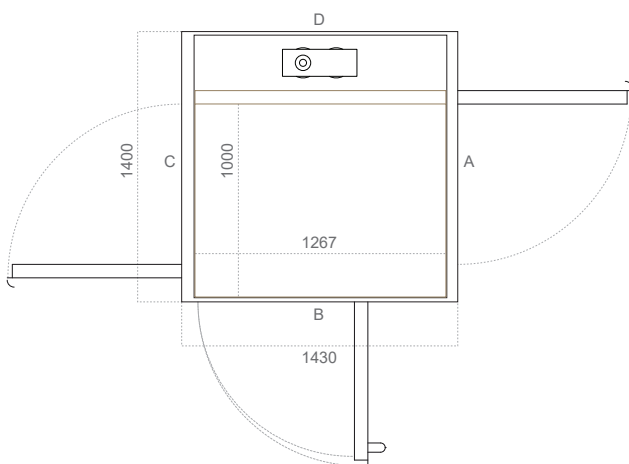
Lift size 10 Cibes A5000/Air® W×D (mm)	
Platform size	900×1217
Shaft size	1260×1265
Cut out size	1300×1380



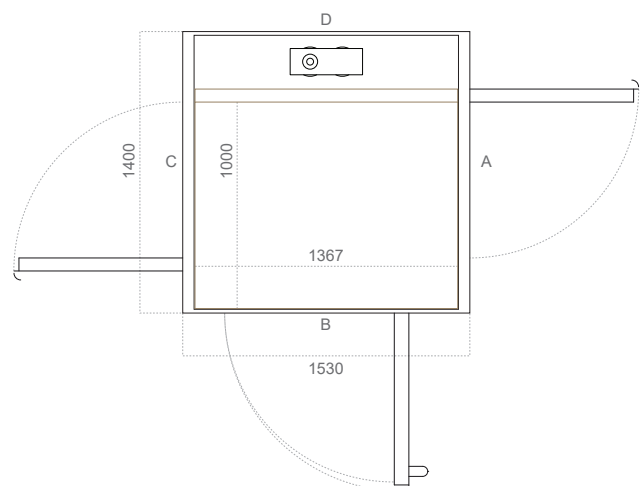
Door Opening Width (mm)		
Door Type	Side A/C	Side B
A10/A20 (steel)	700	750
AL5/AL6 (aluminium)	700	800
EI60/EI60G (fire rated)	700	750
A15/A25 (gate)	700	750

Door Opening Width (mm)		
Door Type	Side A/C	Side B
A10/A20 (steel)	800	750
AL5/AL6 (aluminium)	800	800
EI60/EI60G (fire rated)	800	750
A15/A25 (gate)	800	750

Lift size 11 Cibes A5000/Air® W×D (mm)	
Platform size	1000×1267
Shaft size	1360×1315
Cut out size	1400×1430



Lift size 12 Cibes A5000/Air® W×D (mm)	
Platform size	1000×1367
Shaft size	1360×1415
Cut out size	1400×1530

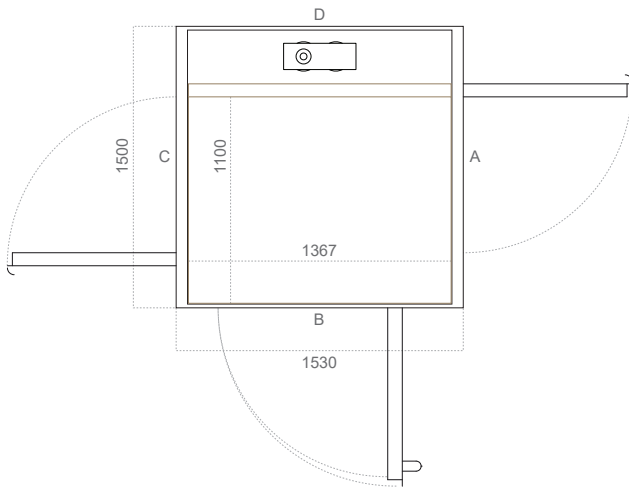


Door Opening Width (mm)		
Door Type	Side A/C	Side B
A10/A20 (steel)	900	800
AL5/AL6 (aluminium)	900	850
EI60/EI60G (fire rated)	900	800
A15/A25 (gate)	900	800

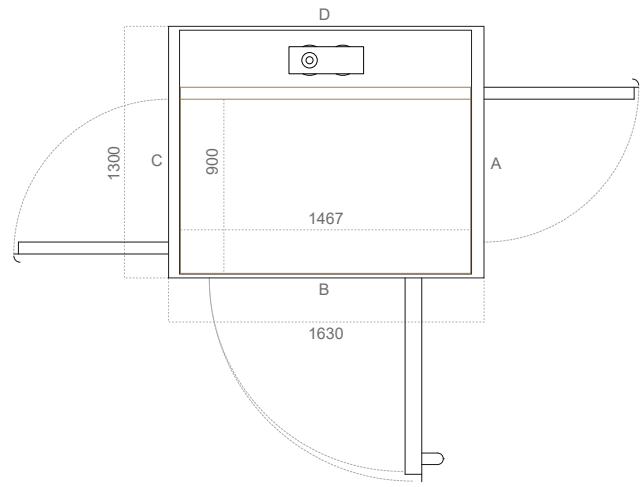
Door Opening Width (mm)		
Door Type	Side A/C	Side B
A10/A20 (steel)	900	900
AL5/AL6 (aluminium)	900	950
EI60/EI60G (fire rated)	900	900
A15/A25 (gate)	900	900

Cibes platform lift sizes

Lift size 13 Cibes A5000/Air® W×D (mm)	
Platform size	1100×1367
Shaft size	1460×1415
Cut out size	1500×1530



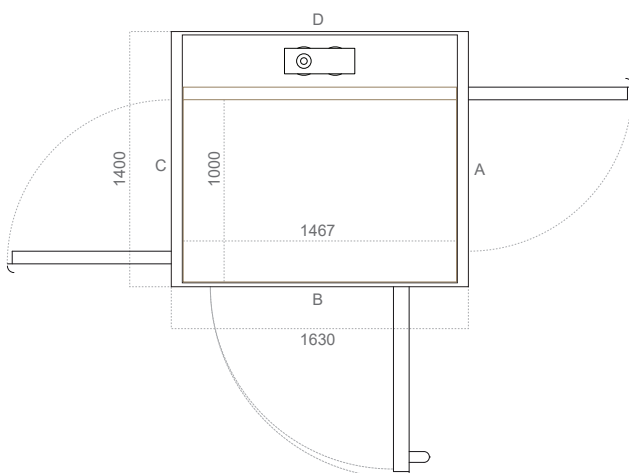
Lift size 14 Cibes A5000/Air® W×D (mm)	
Platform size	900×1467
Shaft size	1260×1515
Cut out size	1300×1630



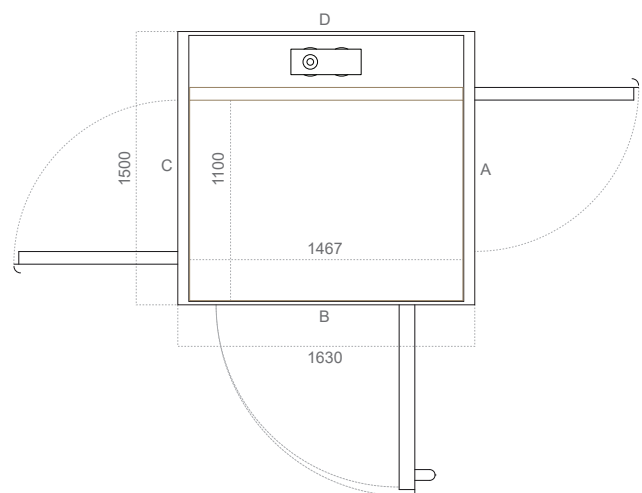
Door Opening Width (mm)		
Door Type	Side A/C	Side B
A10/A20 (steel)	900	900
AL5/AL6 (aluminium)	900	950
EI60/EI60G (fire rated)	900	900
A15/A25 (gate)	900	900

Door Opening Width (mm)		
Door Type	Side A/C	Side B
A10/A20 (steel)	800	1000
AL5/AL6 (aluminium)	800	1050
EI60/EI60G (fire rated)	800	1000
A15/A25 (gate)	800	1000

Lift size 15 Cibes A5000/Air® W×D (mm)	
Platform size	1000×1467
Shaft size	1360×1515
Cut out size	1400×1630



Lift size 16 Cibes A5000/Air® W×D (mm)	
Platform size	1100×1467
Shaft size	1460×1515
Cut out size	1500×1630

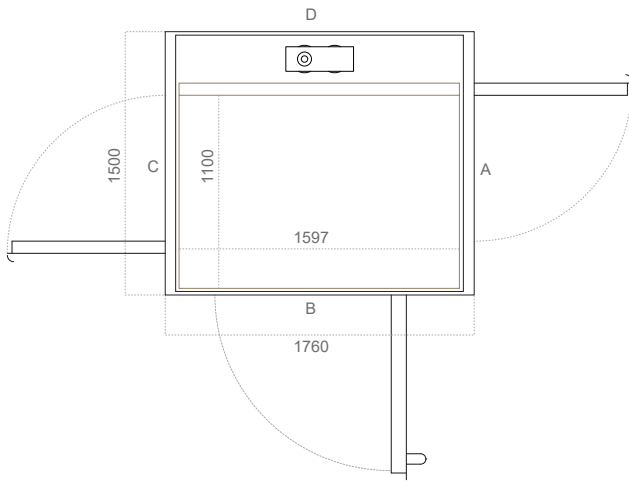


Door Opening Width (mm)		
Door Type	Side A/C	Side B
A10/A20 (steel)	900	1000
AL5/AL6 (aluminium)	900	1050
EI60/EI60G (fire rated)	900	1000
A15/A25 (gate)	900	1000

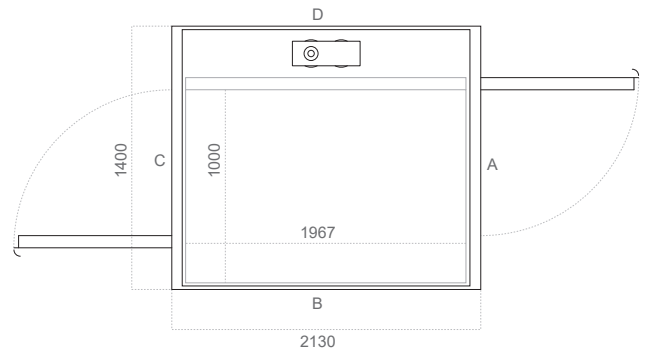
Door Opening Width (mm)		
Door Type	Side A/C	Side B
A10/A20 (steel)	900	1000
AL5/AL6 (aluminium)	900	1050
EI60/EI60G (fire rated)	900	1000
A15/A25 (gate)	900	1000

Cibes platform lift sizes

Lift size 17 Cibes A5000/Air® W×D (mm)	
Platform size	1100×1597
Shaft size	1460×1645
Cut out size	1500×1760



Lift size 18 Cibes A5000 W×D (mm)	
Platform size	1000×1967
Shaft size	1360×2015
Cut out size	1400×2130



Door Opening Width (mm)		
Door Type	Side A/C	Side B
A10/A20 (steel)	900	1000
AL5/AL6 (aluminium)	900	1050
EI60/EI60G (fire rated)	900	1000
A15/A25 (gate)	900	-

Door Opening Width (mm)		
Door Type	Side A/C	Side B
A10/A20 (steel)	900	-
AL5/AL6 (aluminium)	900	-
EI60/EI60G (fire rated)	900	-
A15/A25 (gate)	900	-

Technical specifications Cibes A8000

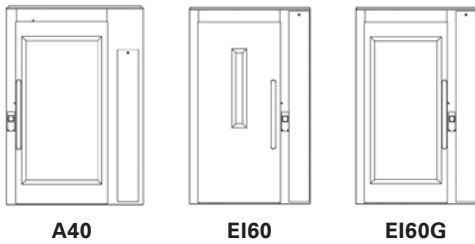
Product name	Cibes A8000
Installation	Indoor
Rated load	1000 kg
Power supply	3×400/3×230 VAC, 50 Hz, 16 A, 5×6,0 mm ²
Please note: The technical information about the fuses and the cross-sectional area of cables is for guidance only and must always be evaluated and checked by a professional electrician	
Speed	Max 0.15 m/s
Top height	2300 mm
Min headroom	2350 mm
Pit depth	130 mm
Directives & Standards	MD 2006/42/EC, applicable parts of EN 81-41, SIL3 (Safety Integrity Level 3)
Drive system	Screw and nut
Lift controls	Hold-to-run on platform, one touch on landings
Control system	Micro computer based SIL3 (Safety Integrity Level 3)
Motor power	4.0 kW
Machine room	Machine room less (MRL)
Max number of stops	6
Max travel	13 m
Door configuration	Single hinged doors (L/R), single entry, open-through or adjacent access
Safety	Safety edges for the top of the platform and floor, overload protection, emergency stop and alarm button, telephone and battery emergency lowering are included as standard, various lock solutions and fire drive are available as options.
Lift shaft	Tempered and laminated safety glass (4.0 mm + 0.76 mm PVB foil + 4.0 mm) or steel panels.

Platform size	Platform (mm)		Shaft Size (mm)		Cut out size (mm)	
	Width	Depth	Width	Depth	Width	Depth
1	1405	1980	1825	2056	1895	2135
2	1405	2480	1825	2556	1895	2635
3	1105	2180	1525	2256	1595	2335

Note: Shaft and cut out sizes may vary depending on lift configuration. For exact measurements, please ask Cibes for project specific drawings.

Door models

Door glazing in laminated and tempered safety glass.



Doors for Cibes A8000			
Door model	A40	EI60 ¹	EI60G ¹
Door type	Single hinged	Single hinged	Single hinged
Material	Steel	Steel	Steel
Standard finish	RAL 9016	RAL 9016	RAL 9016
Glass (w×h) ² mm	800×1563	75×800	800×1563
Concealed opener	-	-	-
Ext. fitted opener	Option	Option	Option
Customised w×h	Yes	Yes	Yes

¹ Fire rated EI60 according to standard EN 81-58. EI60G only for platform size 1105×2180. Fire rated doors must always be combined with a site-built shaft, built by others, with equivalent/superior fire rating, depending on your local regulations.

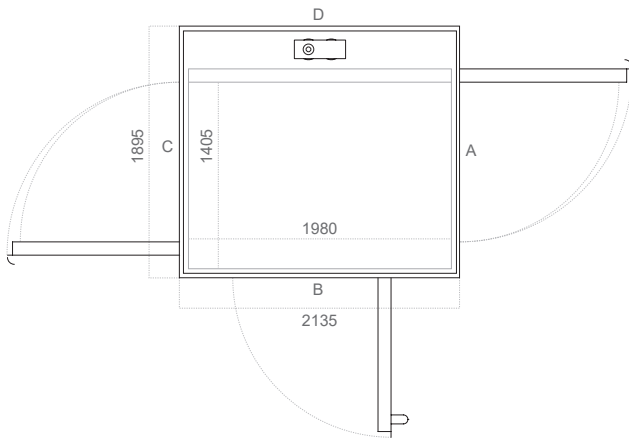
² Glass dimensions for doors of standard dimensions side A/C.



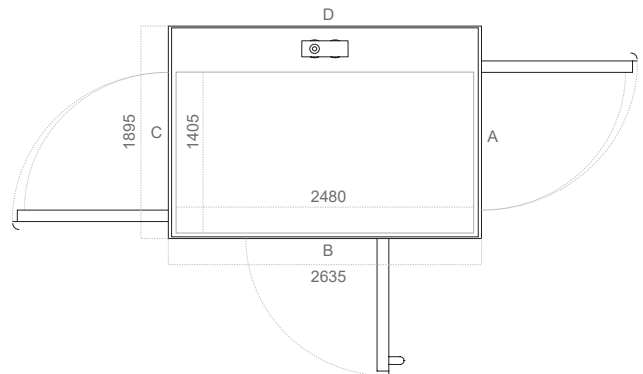
Cibes A8000

Cibes platform lift sizes

Lift size 1 Cibes A8000 WxD (mm)	
Platform size	1405 x 1980
Shaft size	1825 x 2056
Cut out size	1895 x 2135



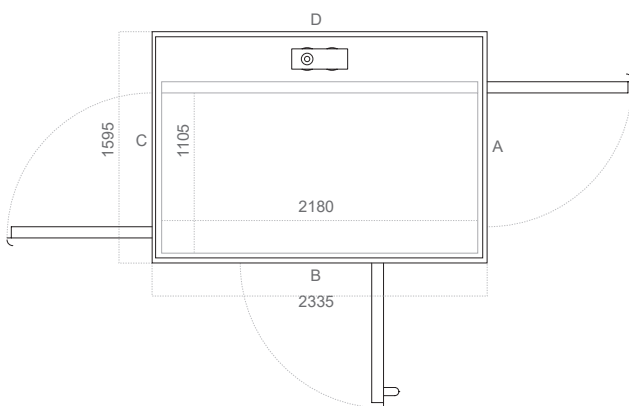
Lift size 2 Cibes A8000 WxD (mm)	
Platform size	1405 x 2480
Shaft size	1825 x 2556
Cut out size	1895 x 2635



Door Opening Width (mm)		
Door Type	Side A/C	Side B
A40 (steel)	1300	1300
EI60 (fire rated)	1200	-

Door Opening Width (mm)		
Door Type	Side A/C	Side B
A40 (steel)	1300	1300
EI60 (fire rated)	1200	-

Lift size 3 Cibes A8000 WxD (mm)	
Platform size	1105 x 2180
Shaft size	1525 x 2256
Cut out size	1595 x 2335



Door Opening Width (mm)		
Door Type	Side A/C	Side B
A40 (steel)	1000	1000
EI60/EI60G (fire rated)	1000	-

Examples of different configurations



Gate, open through.
2 landings.



Gate, adjacent,
2 landings.



Gate, single entry,
2 landings.



Full height doors, single entry.
2 landings.



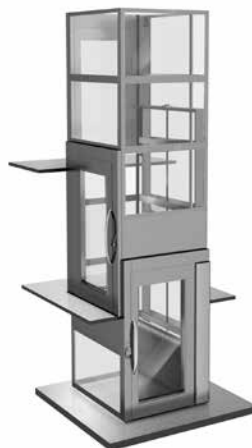
Full height doors, open through.
2 landings.



Full height doors, adjacent.
2 landings.



Full height doors, open through.
3 landings.



Full height doors, adjacent,
open through. 3 landings.



Full height doors, single entry.
3 landings.

Technical specifications Cibes C1 Pure

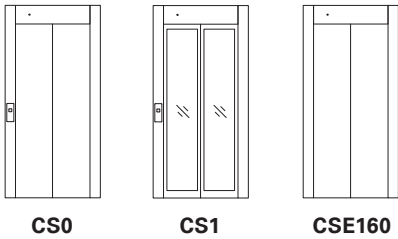
Product name		Cibes C1 Pure
Installation	Indoor	
Rated load	900 x 950 mm – 300 kg, 900 x 1200 mm – 375 kg, 900 x 1400 mm – 450 kg, 1100 x 1200 mm – 525 kg, 1100 x 1400 mm – 630 kg, 1100 x 1700 mm – 630 kg	
Power supply	3×400 VAC/3×230 VAC, 50/60 Hz, 16 A, 5×2,5 mm ² or 1×230 VAC 50/60 Hz, 32 A 5×2,5 mm ²	
Please note: The technical information about the fuses and the cross-sectional area of cables is for guidance only and must always be evaluated and checked by a professional electrician		
Speed	Max 0.15 m/s	
Top height	2450 mm	
Min headroom	2500 mm	
Pit depth	100 mm (120 mm if the floor is fitted with wood laminate or tiles)	
Directives & Standards	MD 2006/42/EC, applicable parts of EN 81-41 and EN 81-20 and selected parts of EN 81-70.	
Drive system	Screw and nut	
Lift controls	One touch operation in cabin and on landings	
Control system	Micro computer based SIL3 (Safety Integrity Level 3)	
Motor power	2.2 kW	
Machine room	Machine room less (MRL)	
Max number of stops	6	
Max travel	15 m	
Min travel between floors, single entry	2500 mm	
Min travel between floors, open-through	Min 1000 mm. For lifts with 3 stops or more, the min travel can in some cases be reduced to 200 mm. Contact Cibes for more information.	
Door configuration	Telescopic sliding doors with opening direction towards machinery side.	
Safety	Alarm button, emergency telephone, emergency light, battery emergency lowering, battery monitoring, overload protection, infrared light curtain between doors. Maintenance light, fire drive and various lock systems as an option.	
Lift shaft	Lift without shaft (for installation in masonry shaft) or with modular shaft in tempered and laminated safety glass (4.0 mm + 0.76 mm PVB foil + 4.0 mm) or steel panels.	

Cabin size	Cabin size (mm)			Cut out size, single entry (mm)		Cut out size, open-through (mm)	
	Width	Depth	Height	Width	Depth	Width	Depth
1a site built shaft	900	950	2130	1350	1240	1350	1410
1b modular shaft	900	950	2130	1410	1310	1410	1450
2a site built shaft	900	1200	2130	1350	1490	1350	1660
2b modular shaft	900	1200	2130	1410	1560	1410	1700
3a site built shaft	900	1400	2130	1350	1690	1350	1860
3b modular shaft	900	1400	2130	1410	1740	1410	1900
4a site built shaft	1100	1200	2130	1550	1490	1550	1660
4b modular shaft	1100	1200	2130	1610	1560	1610	1700
5a site built shaft	1100	1400	2130	1550	1690	1550	1860
5b modular shaft	1100	1400	2130	1610	1740	1610	1900
6a site built shaft	1100	1700	2130	1550	1990	1550	2160

Note: Shaft and cut out sizes may vary depending on lift configuration. For exact measurements, please ask Cibes for project specific drawings.

Door models

Cibes C1 Pure is equipped with automatic telescopic doors, for the landings and cabin. For your safety, there is a light curtain between the two sets of doors, which prevents the doors from closing if the light curtain is breached.



Doors for Cibes C1 Pure			
Door model	CS0 Steel Door	CS1 Glass door	CSE160 Fire rated door ¹
Door type	Telescopic sliding door	Telescopic sliding door	Telescopic sliding door
Number of door panels	2	2	2
Clear opening (w×h) mm	900×2100/750×2100	900×2100/750×2100	900×2100/-
Opening direction	Towards machinery side	Towards machinery side	Towards machinery side
Infrared light curtain	Standard	Standard	Standard
Cut out size (w×h) mm	1160×2300/1010×2300	1160×2300/1010×2300	1000×2300/-
Material	Steel	Steel/glass	Steel
Standard finish	White RAL 9016	White RAL 9016	White RAL 9016
Optional finish	Any RAL or Premium colour/stainless steel ²	Any RAL or Premium colour	Any RAL or Premium colour
Glass (w×h) mm	-	370×1950/300×1950 mm	-

¹ Landing door fire rated EI60 according to standard EN 81-58. Not available for cabin sizes 900×950/1200/1400 mm. Fire rated doors must always be combined with a site-built shaft, built by others, with equivalent/superior fire rating, depending on your local regulations.

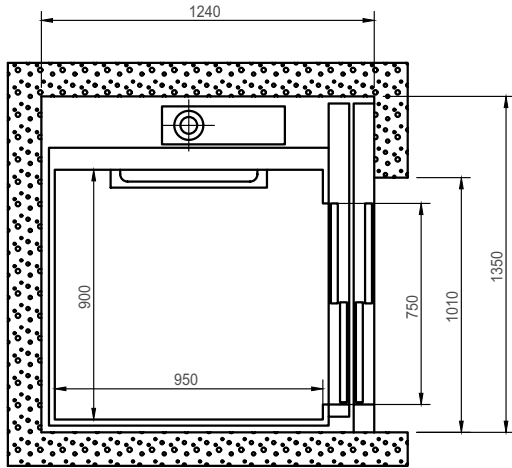
² Austenitic steel, designation EN1.4301/AISI 304, name X5CrNi18-10.

The following parts of EN 81-70:2021 are applicable to the Cibes C1 Pure

- 5.1.2 Light reflectance value – compliance met if the cabin walls are standard white and control panel is standard black.
- 5.1.3 Audible signals – compliance is possible with the voice announcement option.
- 5.2 Door openings – the clear opening is compliant for cabin sizes with a width (side A/C) of 1100 mm.
- 5.3 Car dimensions – car type 1 and 2 are met by cabin sizes 1100×1400 mm and 1100×1700 mm.
 - 5.3.2.1 Handrail – compliance is possible with the accessibility option ergonomic handrail.
 - 5.3.2.3 Device to observe obstacles behind the wheelchair – possible for cabins with single entry and the option wall mounted mirror (half-wall mirror).
 - 5.3.2.4 Slip resistant floor – the standard floor is slip resistant.
- 5.4.2.3 Car and landing control devices – compliance possible with options according to Annex B, B.2 for landing control devices (landing controls 50×50 mm) and Annex B, B.3 for car control devices (horizontal control panel).

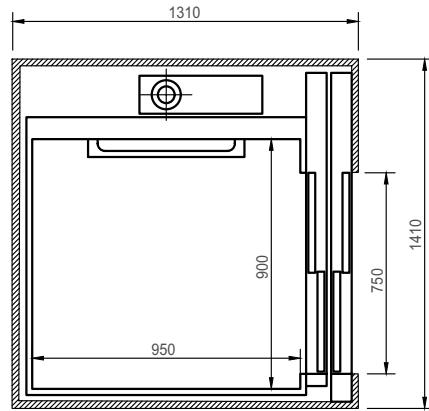
Cibes cabin lift sizes

Lift size 1a single entry WxD (mm)	
Cabin dimensions (wxdxh)	900x950x2130
Cut out size (wxd) single entry	1350x1240



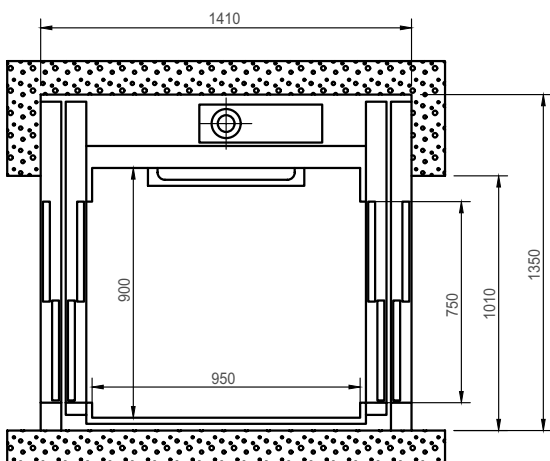
Door Opening Width (mm)	
Door Type	Side A/C
CS0/CS1	750

Lift size 1b single entry WxD (mm)	
Cabin dimensions (wxdxh)	900x950x2130
Cut out size (wxd) single entry	1410x1310



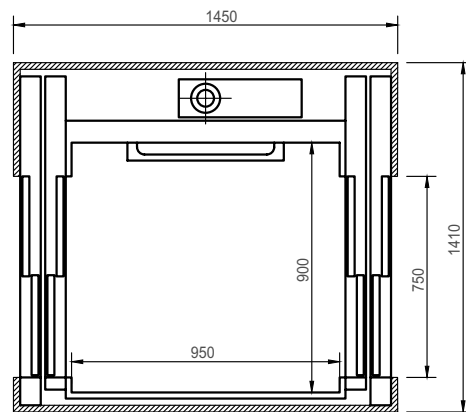
Door Opening Width (mm)	
Door Type	Side A/C
CS0/CS1	750

Lift size 1a open-through WxD (mm)	
Cabin dimensions (wxdxh)	900x950x2130
Cut out size (wxd) open-through	1350x1410



Door Opening Width (mm)	
Door Type	Side A/C
CS0/CS1	750

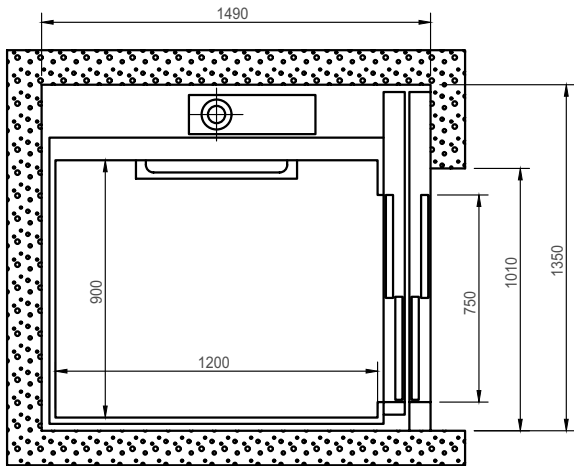
Lift size 1b open-through WxD (mm)	
Cabin dimensions (wxdxh)	900x950x2130
Cut out size (wxd) open-through	1410x1450



Door Opening Width (mm)	
Door Type	Side A/C
CS0/CS1	750

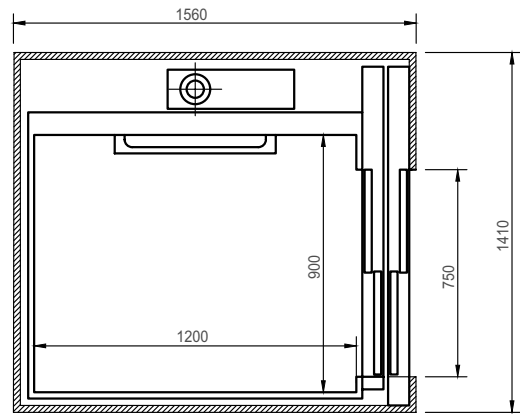
Cibes cabin lift sizes

Lift size 2a single entry WxD (mm)	
Cabin dimensions (wxdxh)	900x1200x2130
Cut out size (wxd) single entry	1350x1490



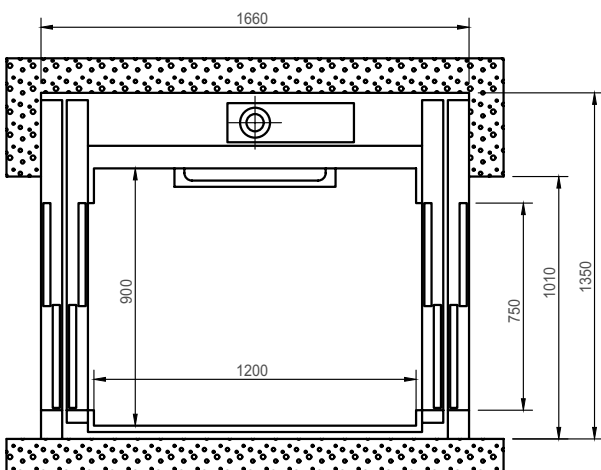
Door Opening Width (mm)	
Door Type	Side A/C
CS0/CS1	750

Lift size 2b single entry WxD (mm)	
Cabin dimensions (wxdxh)	900x1200x2130
Cut out size (wxd) single entry	1410x1560



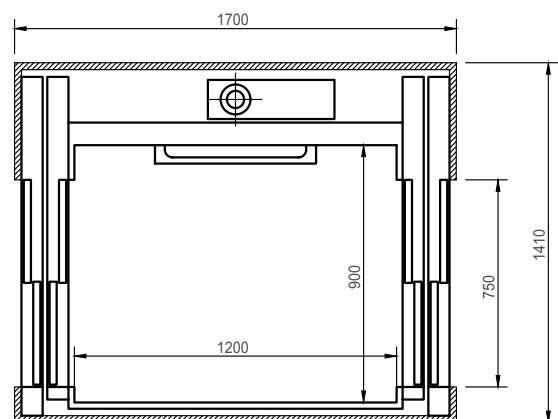
Door Opening Width (mm)	
Door Type	Side A/C
CS0/CS1	750

Lift size 2a open-through WxD (mm)	
Cabin dimensions (wxdxh)	900x1200x2130
Cut out size (wxd) open-through	1350x1660



Door Opening Width (mm)	
Door Type	Side A/C
CS0/CS1	750

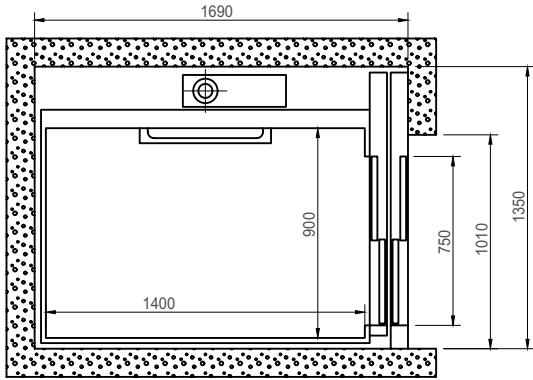
Lift size 2b open-through WxD (mm)	
Cabin dimensions (wxdxh)	900x1200x2130
Cut out size (wxd) open-through	1410x1700



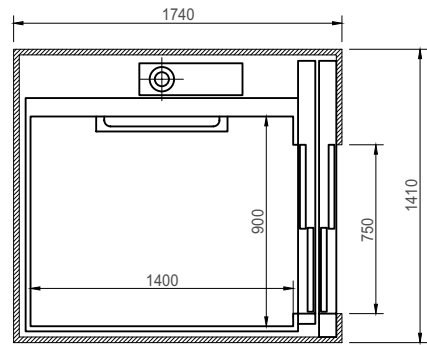
Door Opening Width (mm)	
Door Type	Side A/C
CS0/CS1	750

Cibes cabin lift sizes

Lift size 3a single entry WxD (mm)	
Cabin dimensions (wxdxh)	900x1400x2130
Cut out size (wxd) single entry	1350x1690



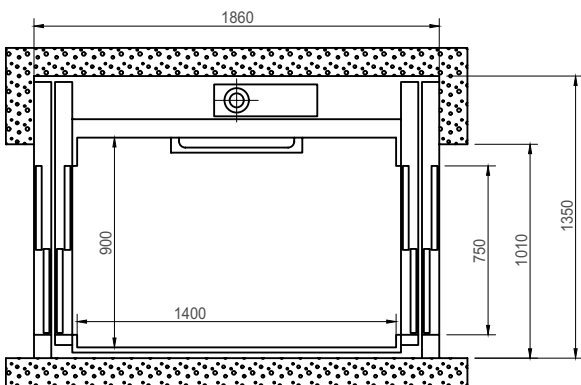
Lift size 3b single entry WxD (mm)	
Cabin dimensions (wxdxh)	900x1400x2130
Cut out size (wxd) single entry	1410x1740



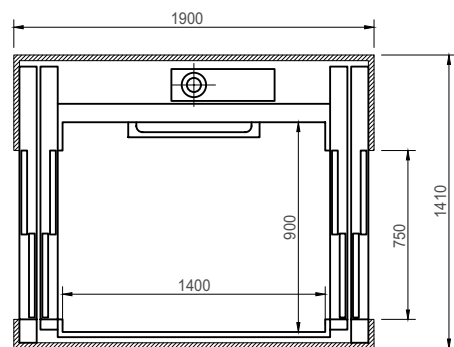
Door Opening Width (mm)	
Door Type	Side A/C
CS0/CS1	750

Door Opening Width (mm)	
Door Type	Side A/C
CS0/CS1	750

Lift size 3a open-through WxD (mm)	
Cabin dimensions (wxdxh)	900x1400x2130
Cut out size (wxd) open-through	1350x1860



Lift size 3b open-through WxD (mm)	
Cabin dimensions (wxdxh)	900x1400x2130
Cut out size (wxd) open-through	1410x1900

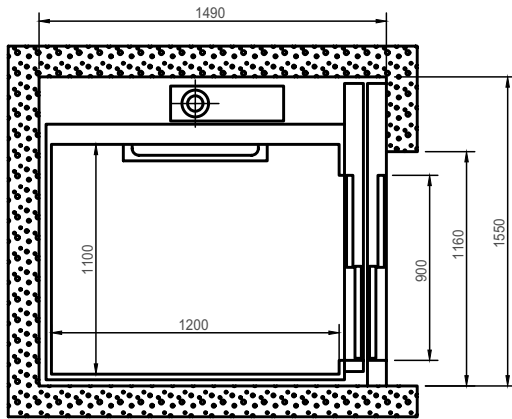


Door Opening Width (mm)	
Door Type	Side A/C
CS0/CS1	750

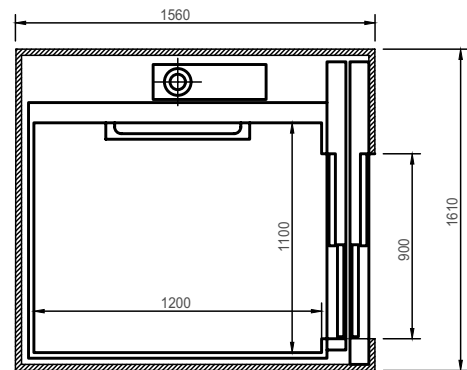
Door Opening Width (mm)	
Door Type	Side A/C
CS0/CS1	750

Cibes cabin lift sizes

Lift size 4a single entry WxD (mm)	
Cabin dimensions (wxdxh)	1100x1200x2130
Cut out size (wxd) single entry	1550x1490



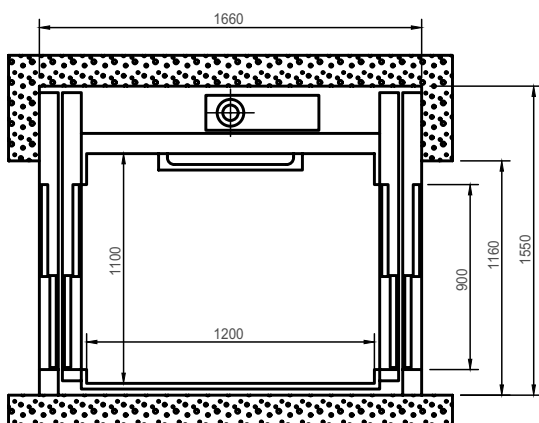
Lift size 4b single entry WxD (mm)	
Cabin dimensions (wxdxh)	1100x1200x2130
Cut out size (wxd) single entry	1610x1560



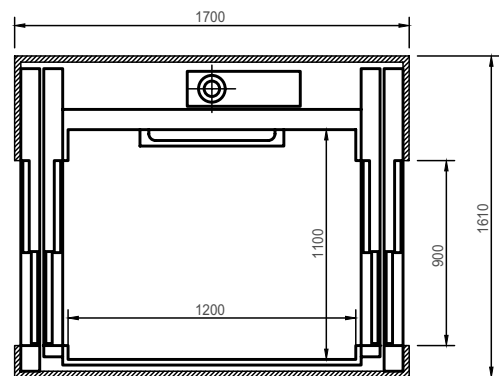
Door Opening Width (mm)	
Door Type	Side A/C
CS0/CS1	900
CSEI60 (fire rated)	900

Door Opening Width (mm)	
Door Type	Side A/C
CS0/CS1	900

Lift size 4a open-through WxD (mm)	
Cabin dimensions (wxdxh)	1100x1200x2130
Cut out size (wxd) open-through	1550x1660



Lift size 4b open-through WxD (mm)	
Cabin dimensions (wxdxh)	1100x1200x2130
Cut out size (wxd) open-through	1610x1700

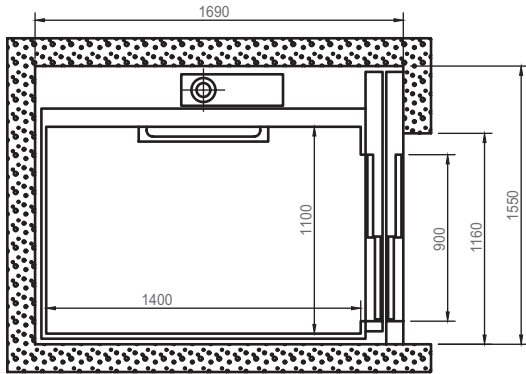


Door Opening Width (mm)	
Door Type	Side A/C
CS0/CS1	900
CSEI60 (fire rated)	900

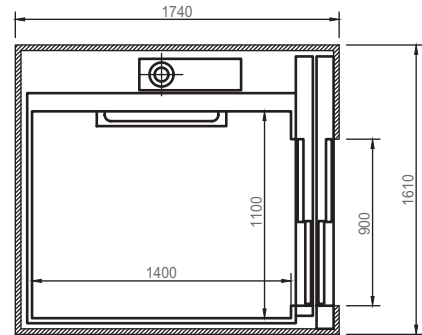
Door Opening Width (mm)	
Door Type	Side A/C
CS0/CS1	900

Cibes cabin lift sizes

Lift size 5a single entry WxD (mm)	
Cabin dimensions (wxdxh)	1100x1400x2130
Cut out size (wxd) single entry	1550x1690



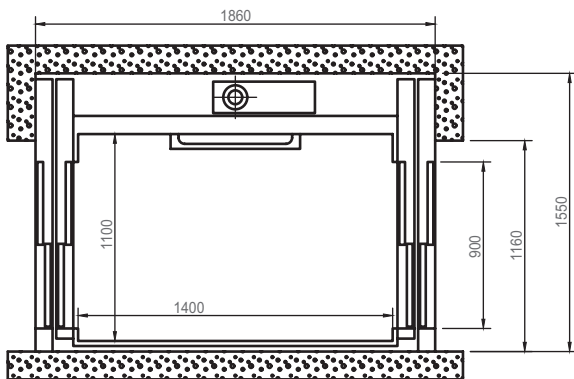
Lift size 5b single entry WxD (mm)	
Cabin dimensions (wxdxh)	1100x1400x2130
Cut out size (wxd) single entry	1610x1740



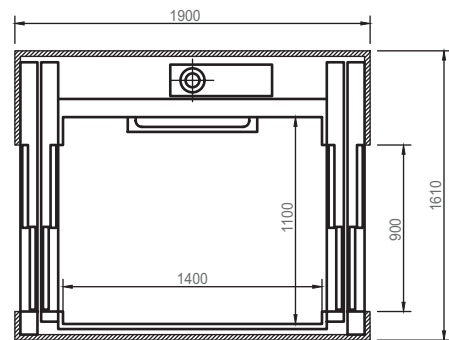
Door Opening Width (mm)	
Door Type	Side A/C
CS0/CS1	900
CSEI60 (fire rated)	900

Door Opening Width (mm)	
Door Type	Side A/C
CS0/CS1	900

Lift size 5a open-through WxD (mm)	
Cabin dimensions (wxdxh)	1100x1400x2130
Cut out size (wxd) open-through	1550x1860



Lift size 5b open-through WxD (mm)	
Cabin dimensions (wxdxh)	1100x1400x2130
Cut out size (wxd) open-through	1610x1900

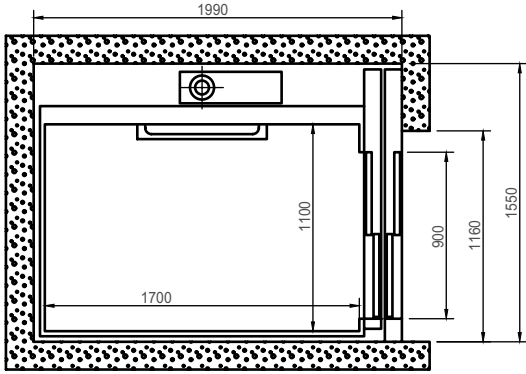


Door Opening Width (mm)	
Door Type	Side A/C
CS0/CS1	900
CSEI60 (fire rated)	900

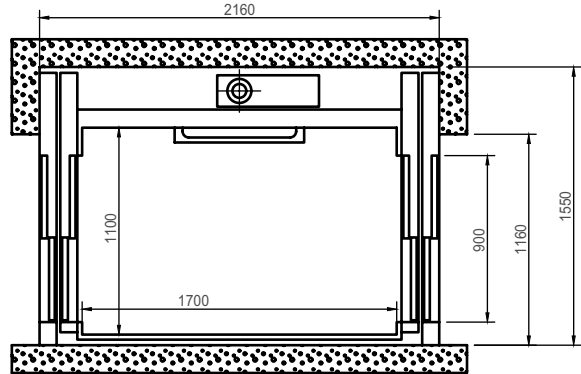
Door Opening Width (mm)	
Door Type	Side A/C
CS0/CS1	900

Cibes cabin lift sizes

Lift size 6a single entry W×D (mm)	
Cabin dimensions (w×d×h)	1100×1700×2130
Cut out size (w×d) single entry	1550×1990



Lift size 6a open-through W×D (mm)	
Cabin dimensions (w×d×h)	1100×1700×2130
Cut out size (w×d) open-through	1550×2160



Door Opening Width (mm)	
Door Type	Side A/C
CS0/CS1	900
CSEI60 (fire rated)	900

Door Opening Width (mm)	
Door Type	Side A/C
CS0/CS1	900
CSEI60 (fire rated)	900

Notes



Cibes

Cibes Lift AB, Utmarksvägen 13, 802 91, Gävle, Sweden
www.cibeslift.com, info@cibeslift.com, Tel: +46 (0) 26 17 14 00