

2256 Lift shaft dimension
1525 Lift shaft dimension

Fixing points, 4 kN

1406

4600

7030

2085

2215

A

B

C

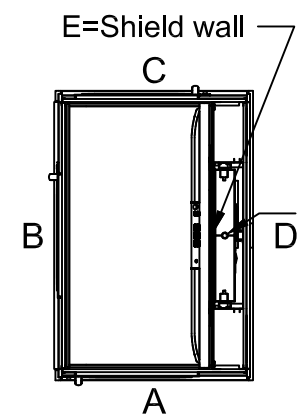
D

130 mm pit depth

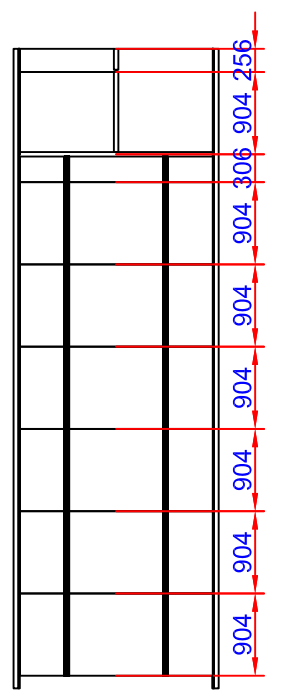
*To be adapted on site
**Customized panel

Options
4 kW Frekv 3x400V 50-60 Hz Soft
Capacity: 1 000,00 kg

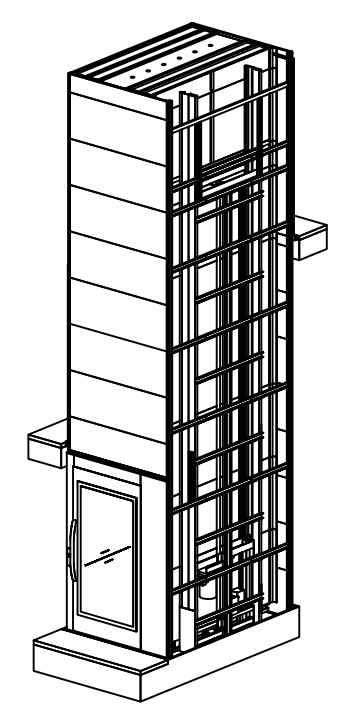
Positioning of machinery:



E=Shield wall
At the start of the lift installation a lifting eye bolt for a rated load of 500 kg has to be provided at the position of the symbol marked on the drawing



E



Approved by builder:

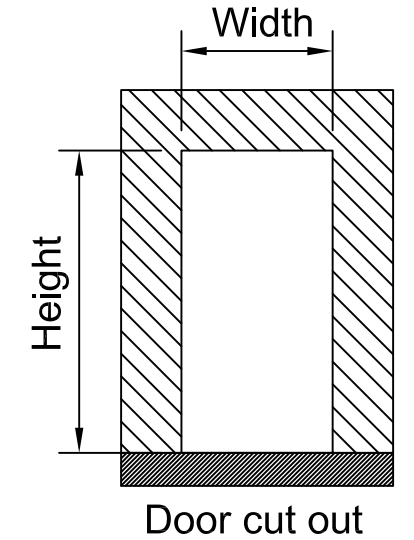
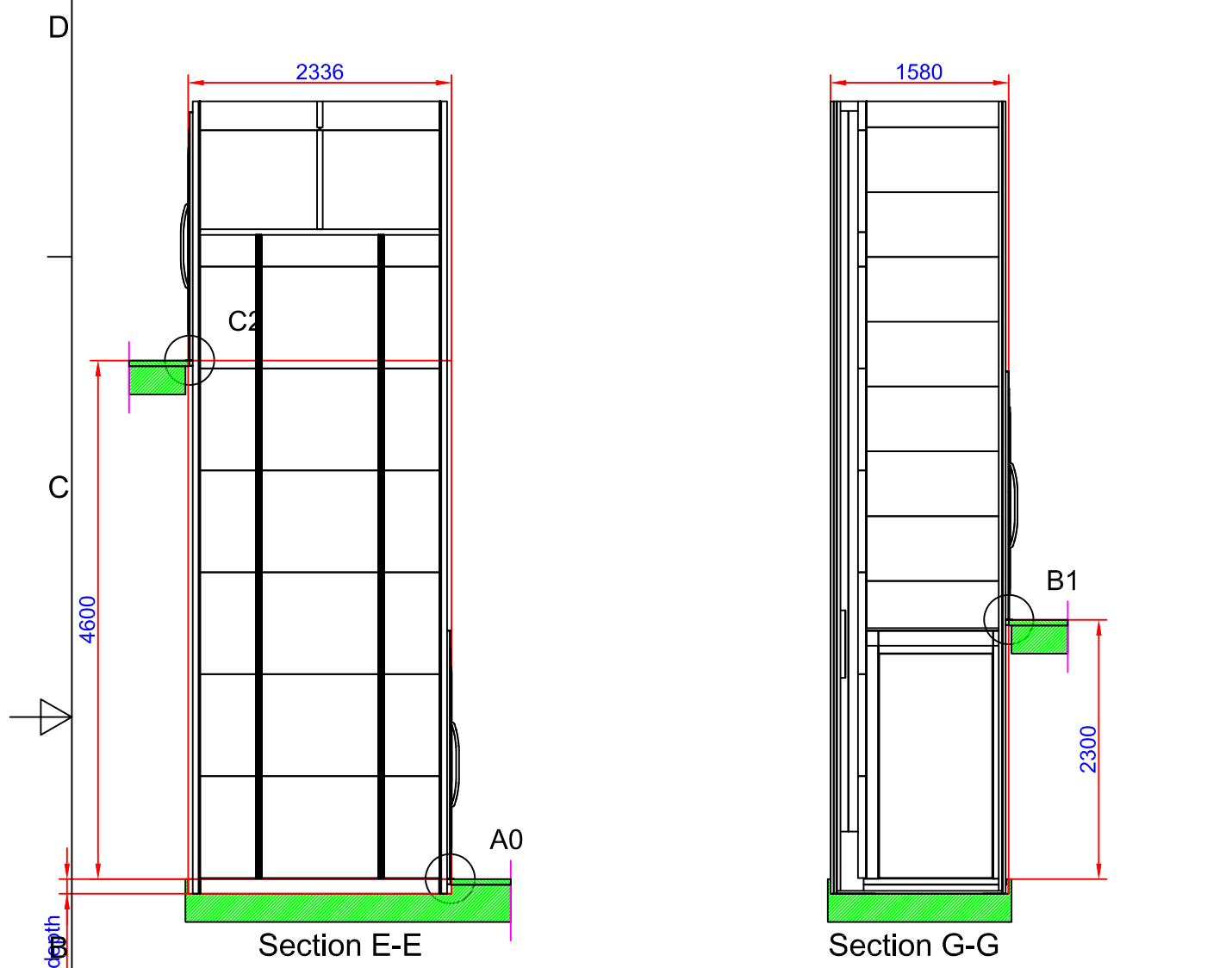
European view placement:



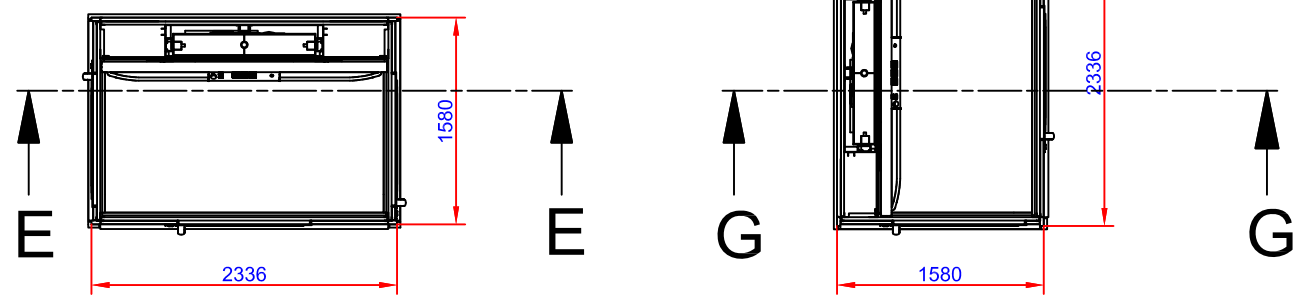
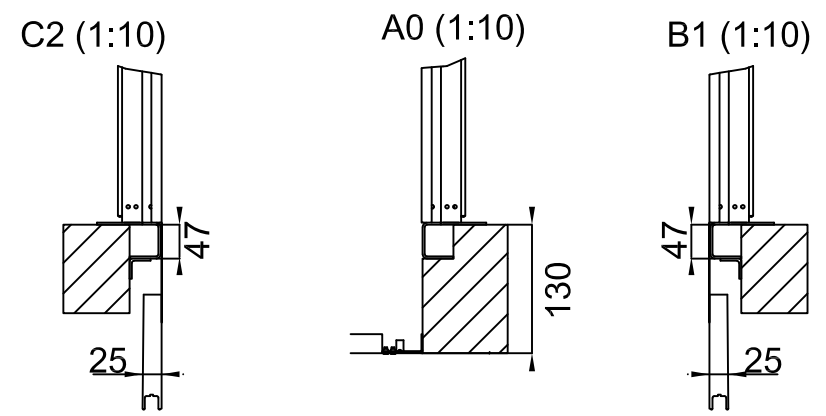
Tender no	Principal drawing A8000 - 1105*2180 Shaft drawing		
Order no			
Gen. Tolerances SS-ISO 27681-1 m	Date 2018-11-01	sheet 1 of 7	Scale: A3, 1:1

Shaft cutout sizes

Door front cutout sizes		
Landing	Width	Height
A 0	1555	2250
B 1	2280	2250
C 2	1555	2250



130 mm pit depth. Bottom surface must be flat + 10 mm



Approved by builder: _____

European view placement:



Tender no	Principal drawing		
Order no	A8000 - 1105*2180		
	Cut out sizes		
Gen. Tolerances	Date	sheet	Scale:
SS-ISO 27681-1 m	2018-11-01	2 of 7	A3, 1:1

6 5 4 3 2 1

Loads sustained by shaft and platform
and fixing points bottom frame

Recommended positioning of fixing points.
Loads per fixing point, F= 4 kN

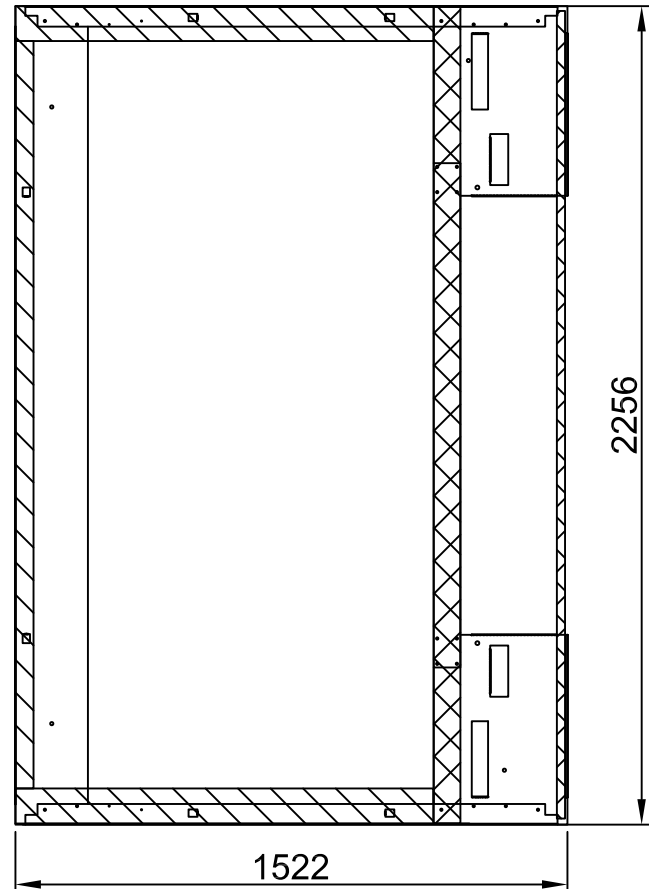
A (1 : 5)



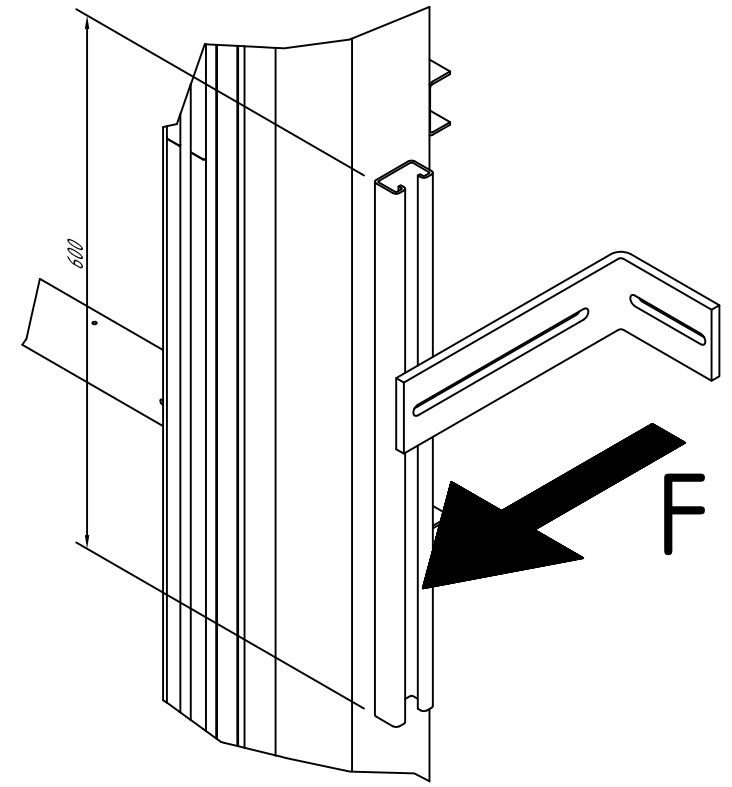
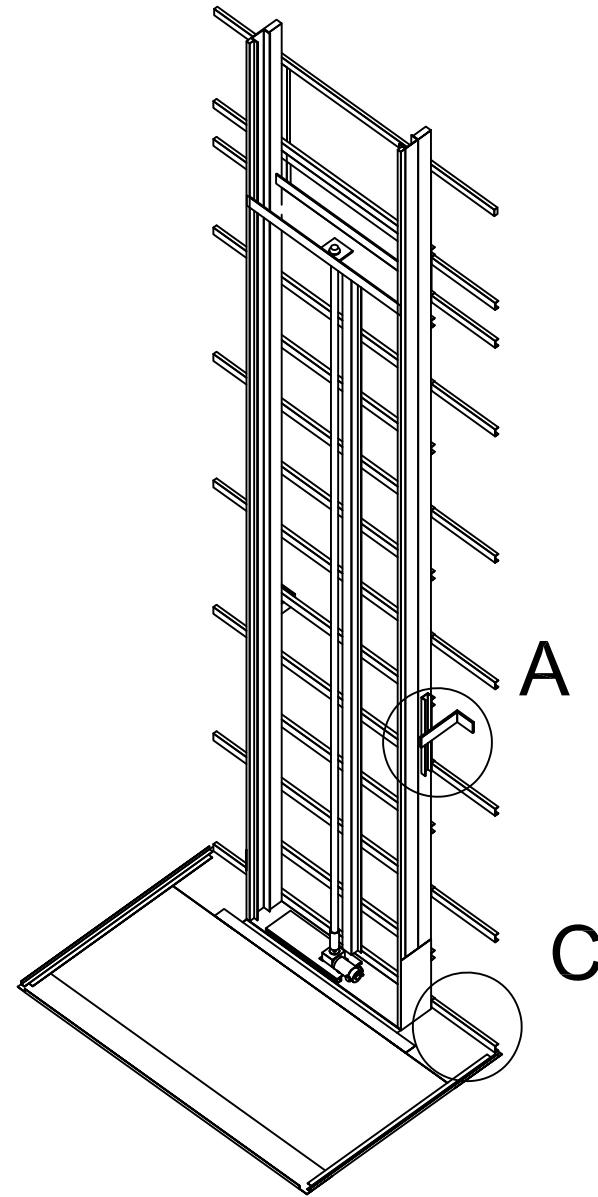
L section force: 3,48 kN
L section load: 11,41 kN/m²



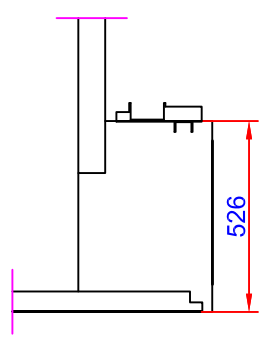
Mast force: 15,85 kN
Mast load: 127,82 kN/m²



Scale: 1:20



C (1 : 20)

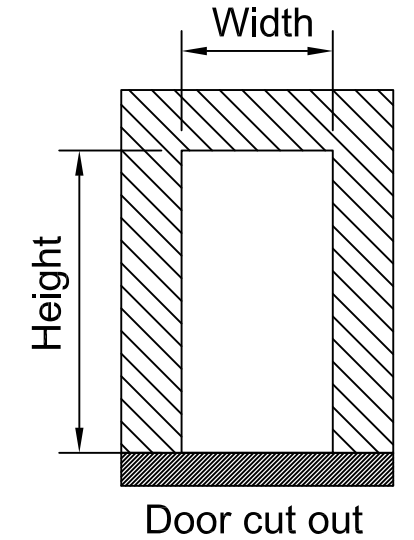
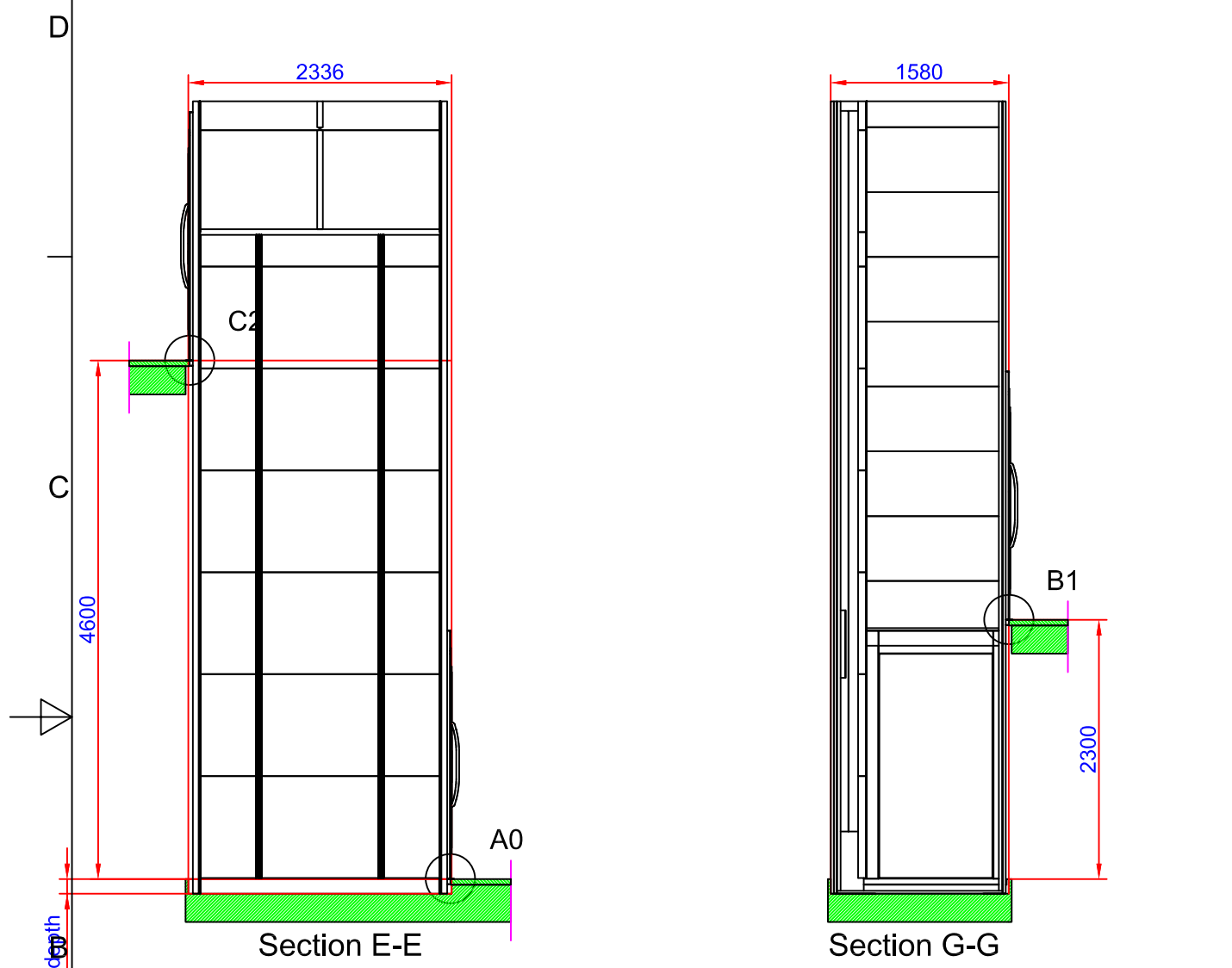


Approved by builder: _____			Tender no		Principal drawing A8000 - 1105*2180 Loads and forces	
			Order no			
European view placement:	Gen. Tolerances SS-ISO 27681-1 m	Date 2018-11-01	sheet 3 of 7	Scale: A3, 1:1		

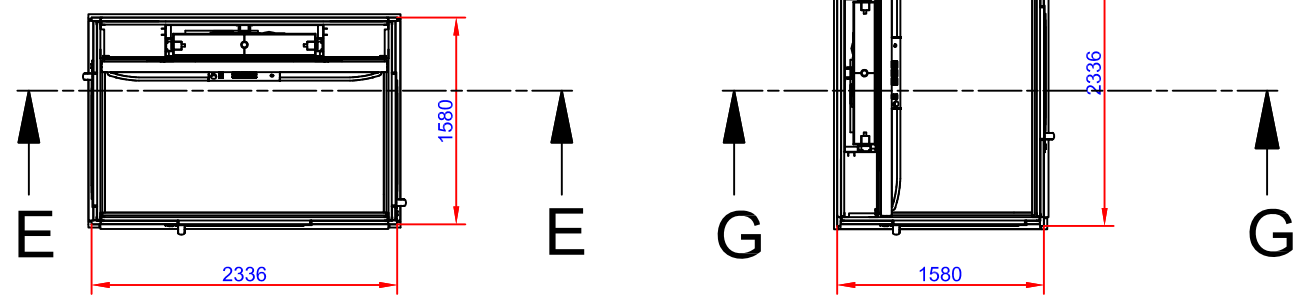
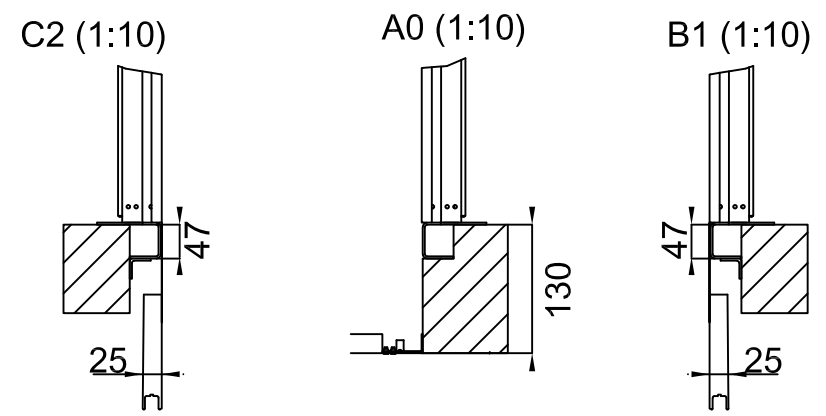
6 5 4 3 2 1

Shaft cutout sizes

Door front cutout sizes		
Landing	Width	Height
A 0	1555	2250
B 1	2280	2250
C 2	1555	2250



130 mm pit depth. Bottom surface must be flat + 10 mm



Approved by builder: _____			Tender no		Principal drawing A8000 - 1105*2180 Cut out sizes
			Order no		
European view placement:	Gen. Tolerances SS-ISO 27681-1 m	Date 2018-11-01	sheet 2 of 7	Scale: A3, 1:1	

6 5 4 3 2 1

Loads sustained by shaft and platform
and fixing points bottom frame

Recommended positioning of fixing points.
Loads per fixing point, F= 4 kN

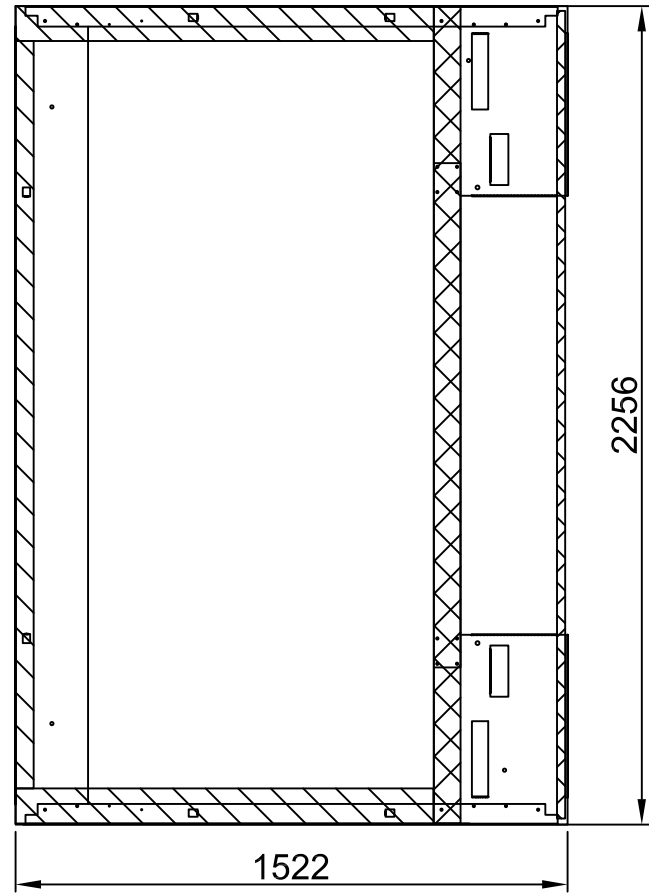
A (1 : 5)



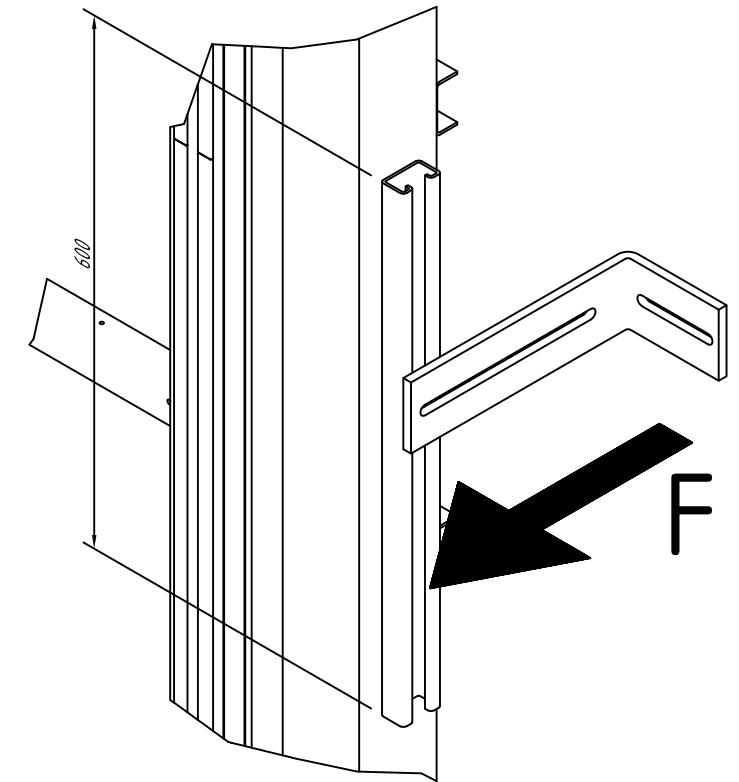
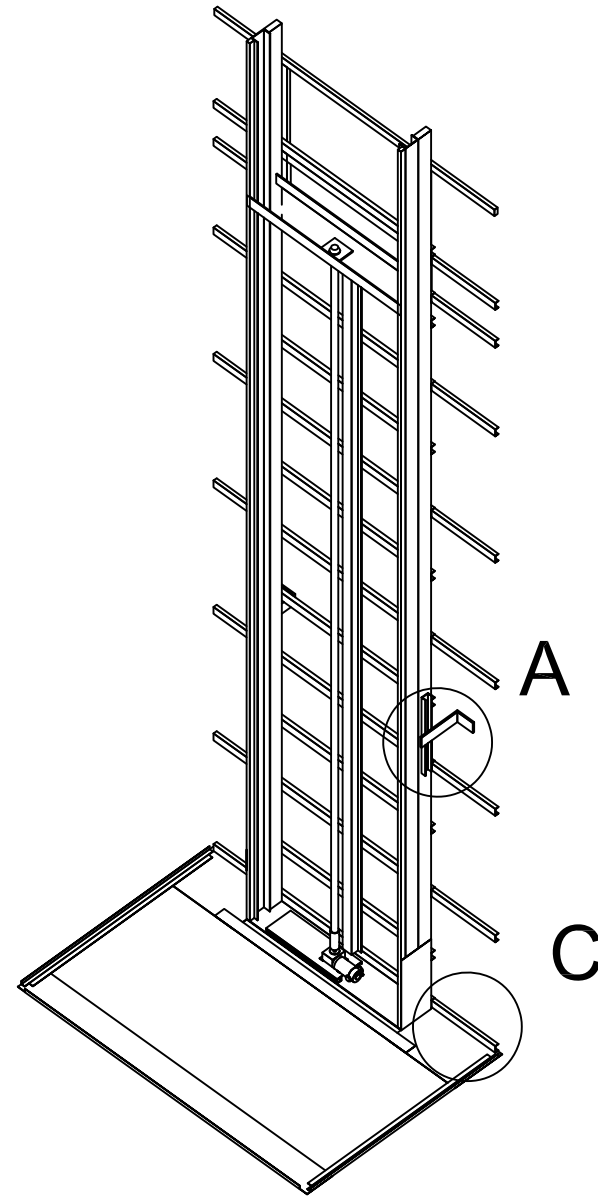
L section force: 3,48 kN
L section load: 11,41 kN/m²



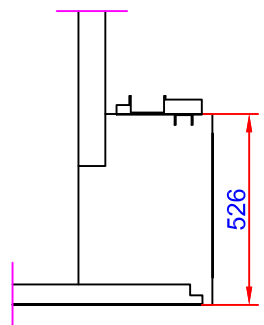
Mast force: 15,85 kN
Mast load: 127,82 kN/m²



Scale: 1:20



C (1 : 20)



Approved by builder: _____			Tender no		Principal drawing A8000 - 1105*2180 Loads and forces	
			Order no			
European view placement: 	Gen. Tolerances SS-ISO 27681-1 m		Date 2018-11-01	sheet 3 of 7	Scale: A3, 1:1	

6 5 4 3 2 1