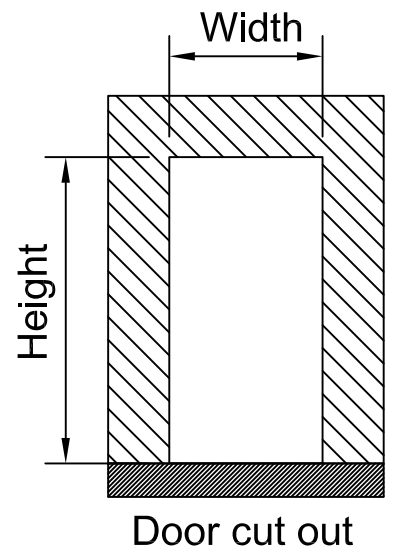
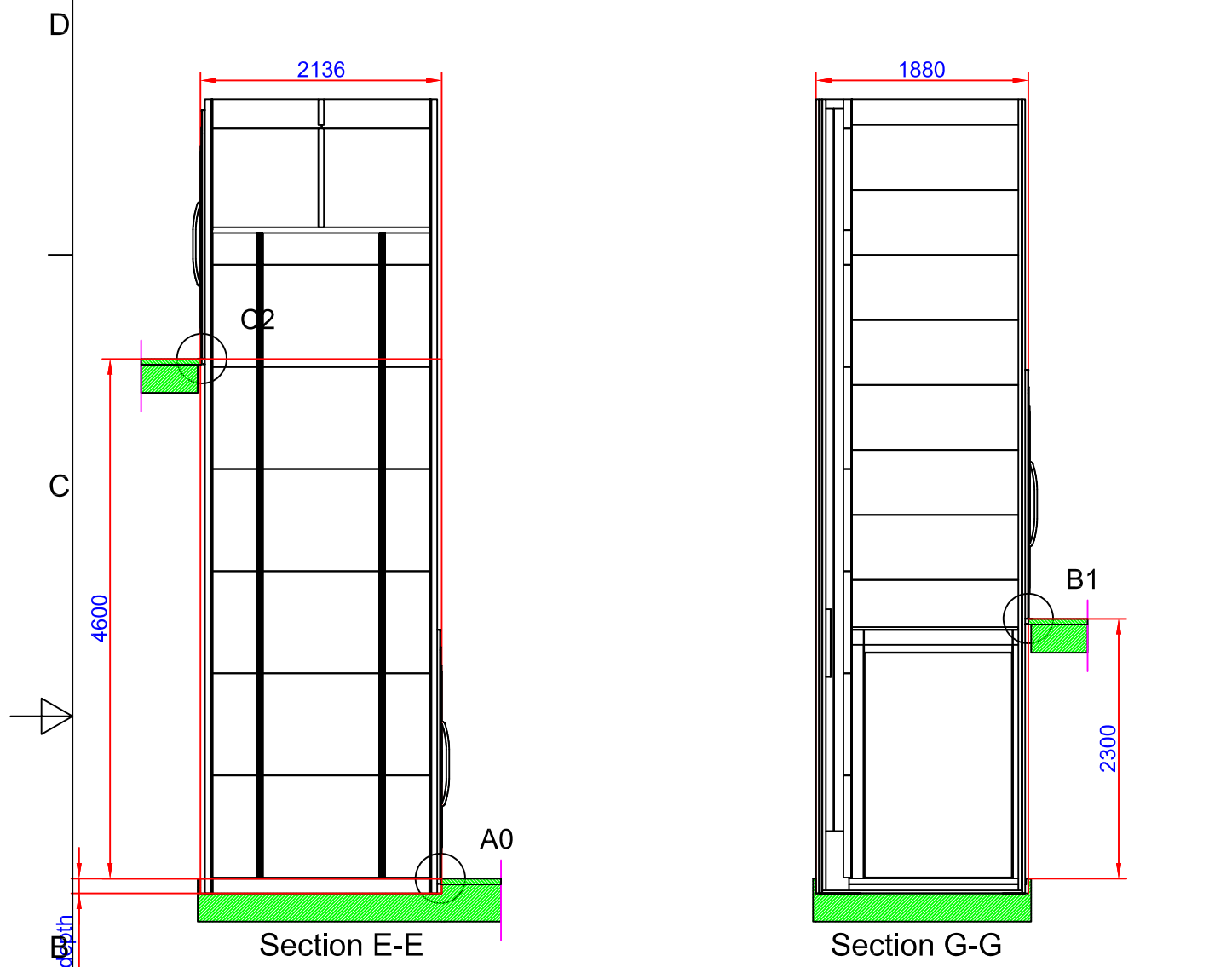
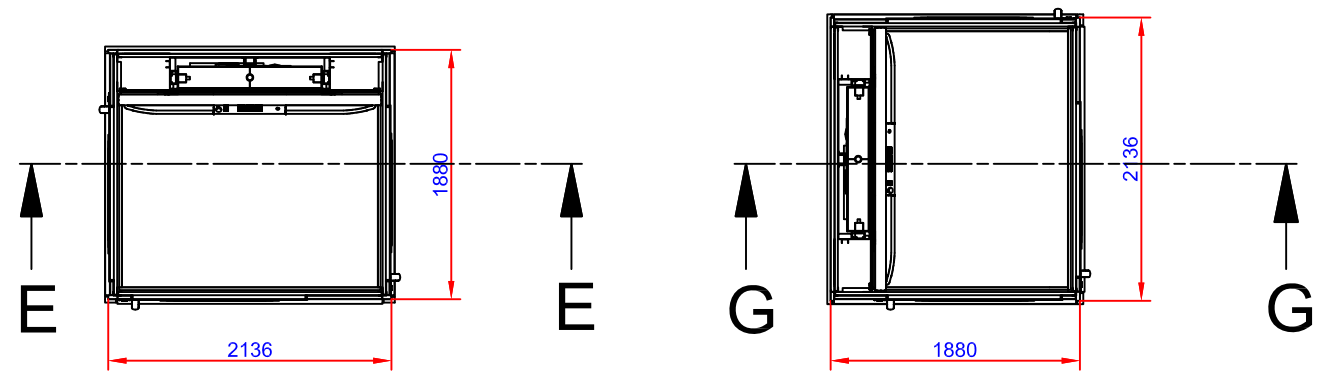
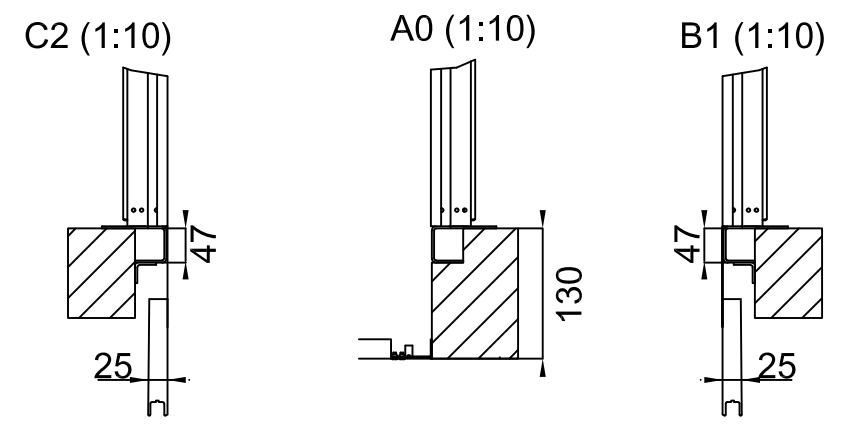


Shaft cutout sizes

Door front cutout sizes		
Landing	Width	Height
A 0	1855	2250
B 1	2080	2250
C 2	1855	2250



130 mm pit depth. Bottom surface must be flat + 10 mm



Approved by builder:

European view placement:



Tender no	Principal drawing A8000 - 1405*1980 Cut out sizes		
Order no			
Gen. Tolerances SS-ISO 27681-1 m	Date 2018-11-01	sheet 2 of 7	Scale: A3, 1:1

6 5 4 3 2 1

Loads sustained by shaft and platform
and fixing points bottom frame

Recommended positioning of fixing points.
Loads per fixing point, F= 4 kN

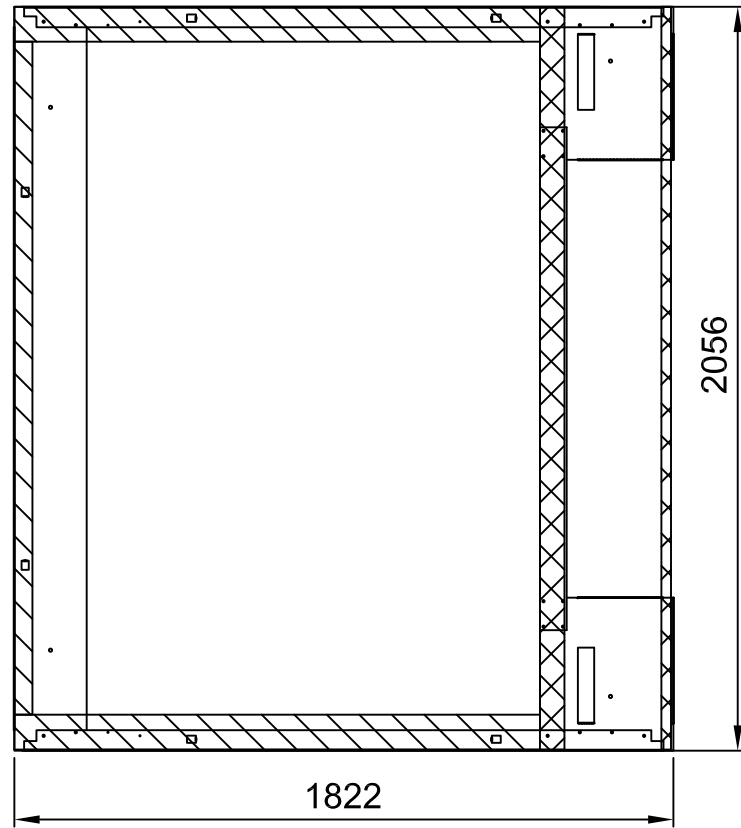
A (1:5)



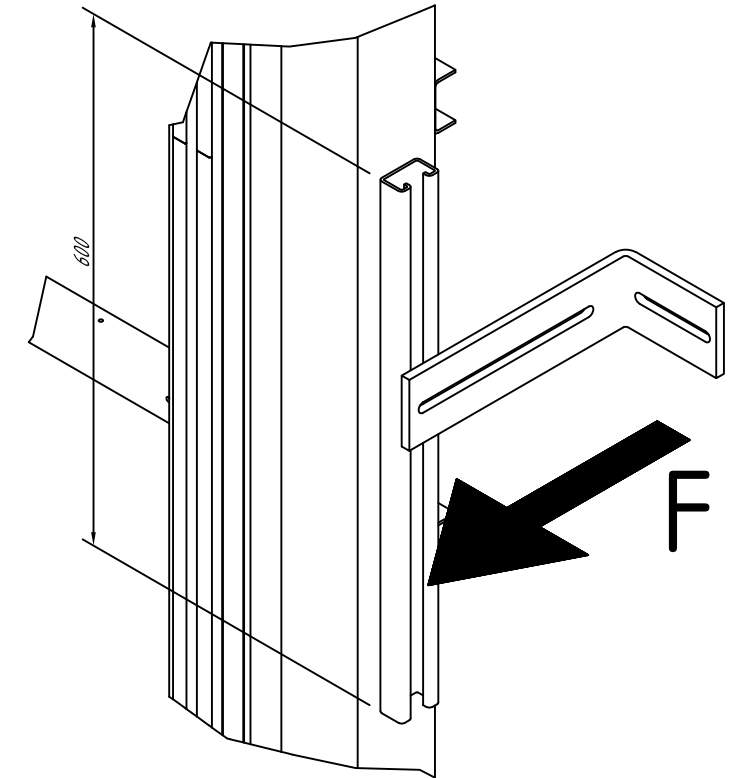
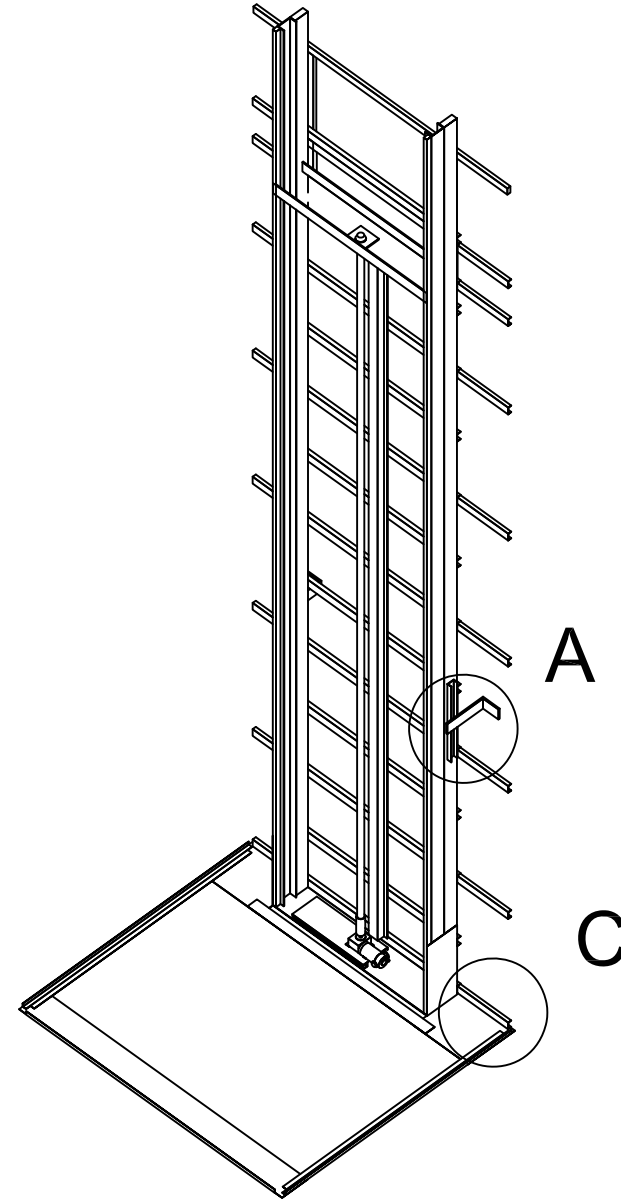
L section force: 3,48 kN
L section load: 11,41 kN/m²



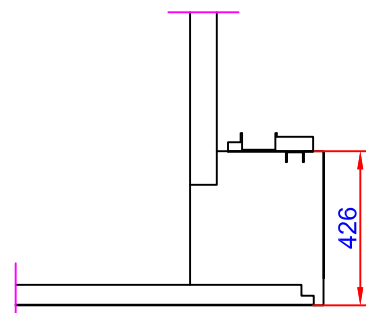
Mast force: 15,85 kN
Mast load: 127,82 kN/m²



Scale: 1:20



C (1:20)

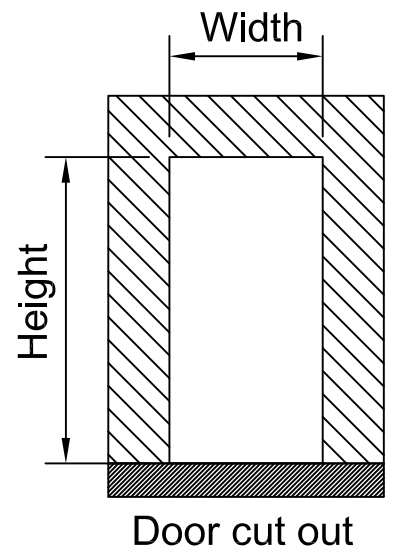
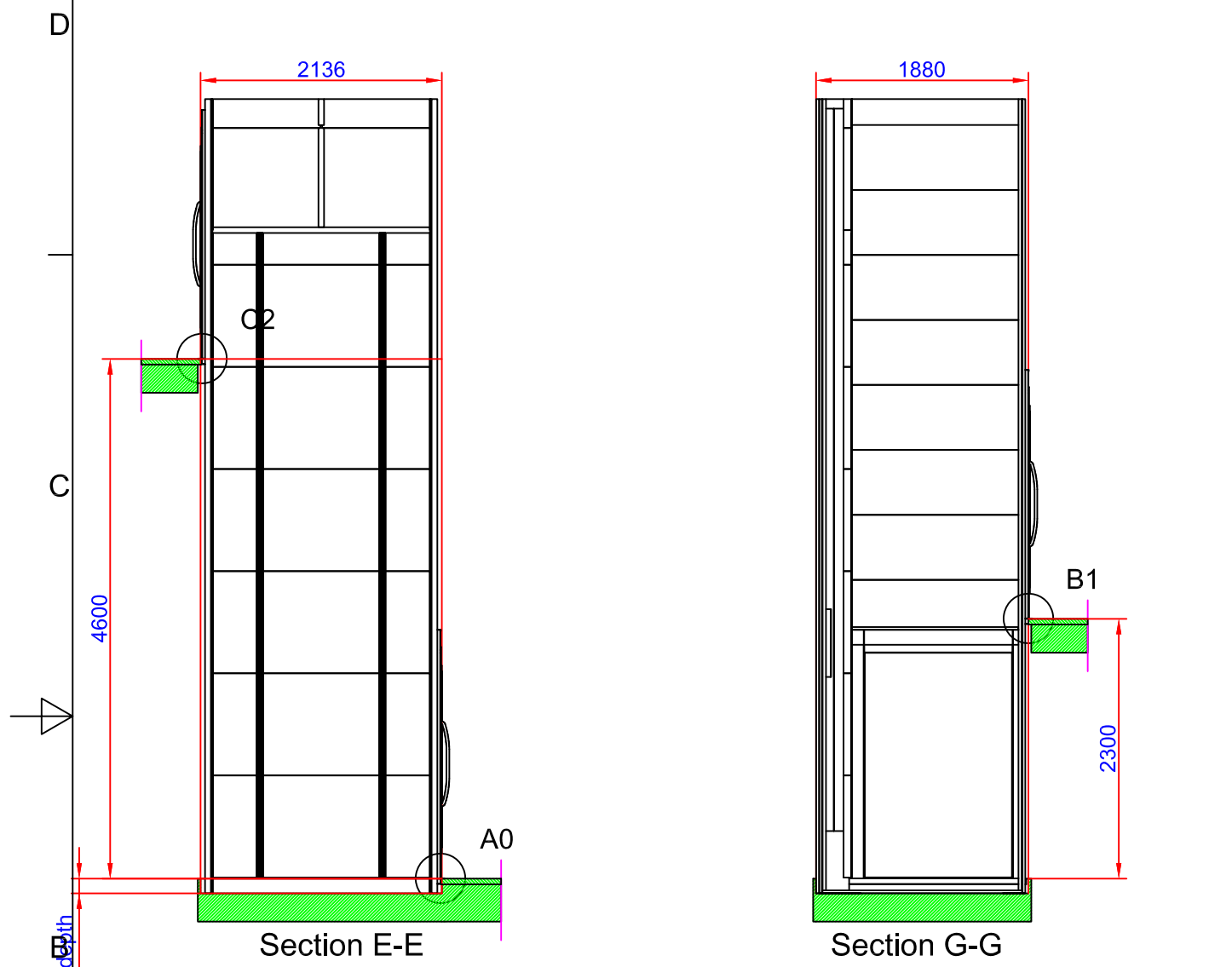


Approved by builder: _____			Tender no		Principal drawing A8000 - 1405*1980 Loads and forces	
			Order no			
European view placement:	Gen. Tolerances SS-ISO 27681-1 m		Date 2018-11-01	sheet 3 of 7	Scale: A3, 1:1	

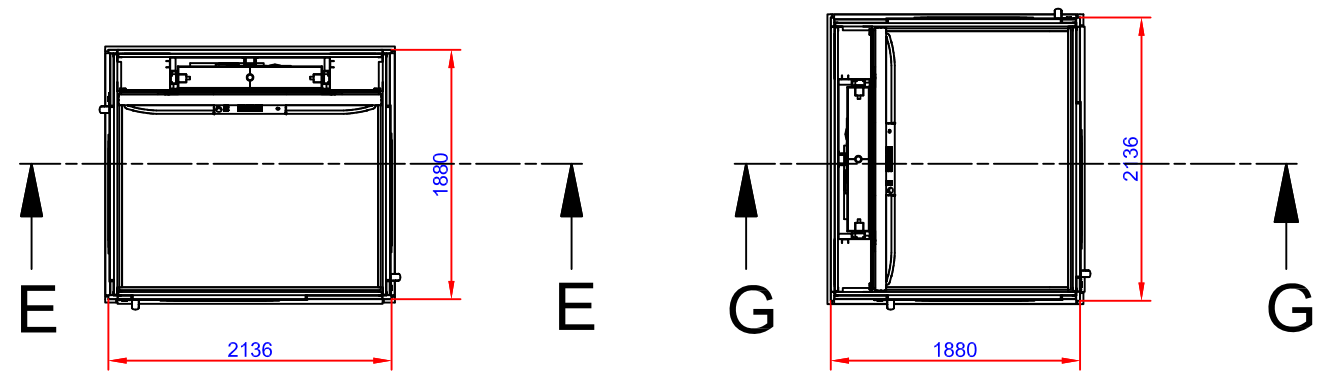
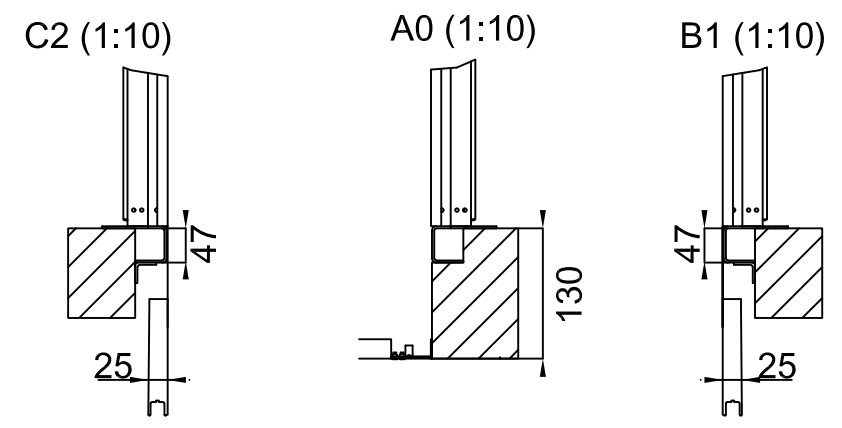
6 5 4 3 2 1

Shaft cutout sizes

Door front cutout sizes		
Landing	Width	Height
A 0	1855	2250
B 1	2080	2250
C 2	1855	2250



130 mm pit depth. Bottom surface must be flat + 10 mm



Approved by builder:

European view placement:



Tender no	Principal drawing A8000 - 1405*1980 Cut out sizes		
Order no			
Gen. Tolerances SS-ISO 27681-1 m	Date 2018-11-01	sheet 2 of 7	Scale: A3, 1:1

6 5 4 3 2 1

Loads sustained by shaft and platform
and fixing points bottom frame

Recommended positioning of fixing points.
Loads per fixing point, F= 4 kN

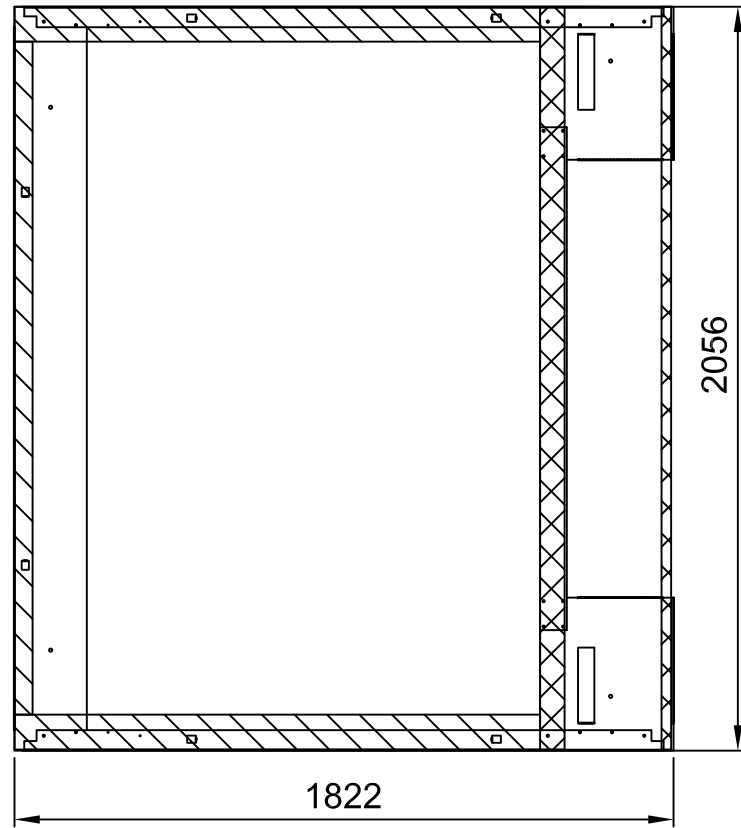
A (1:5)



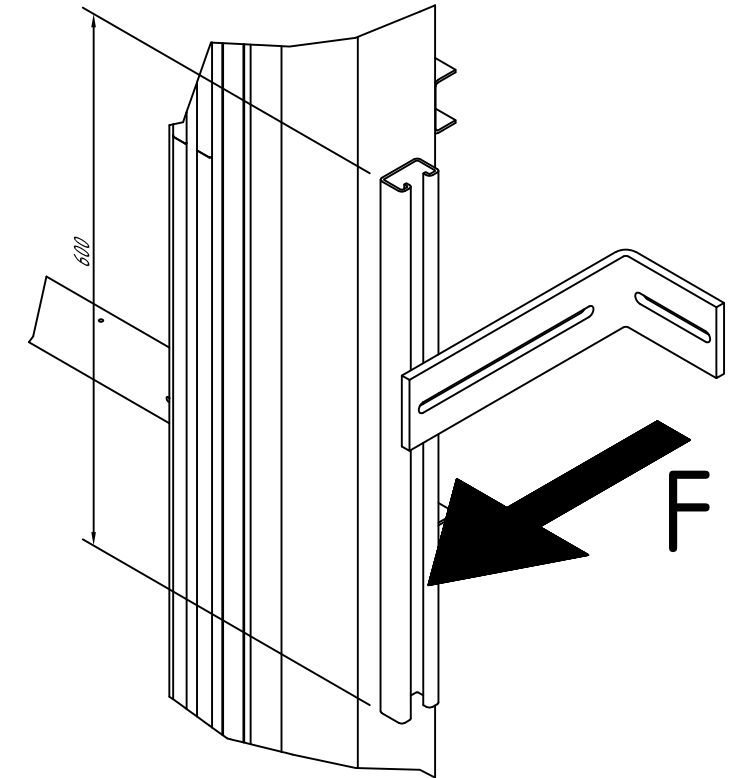
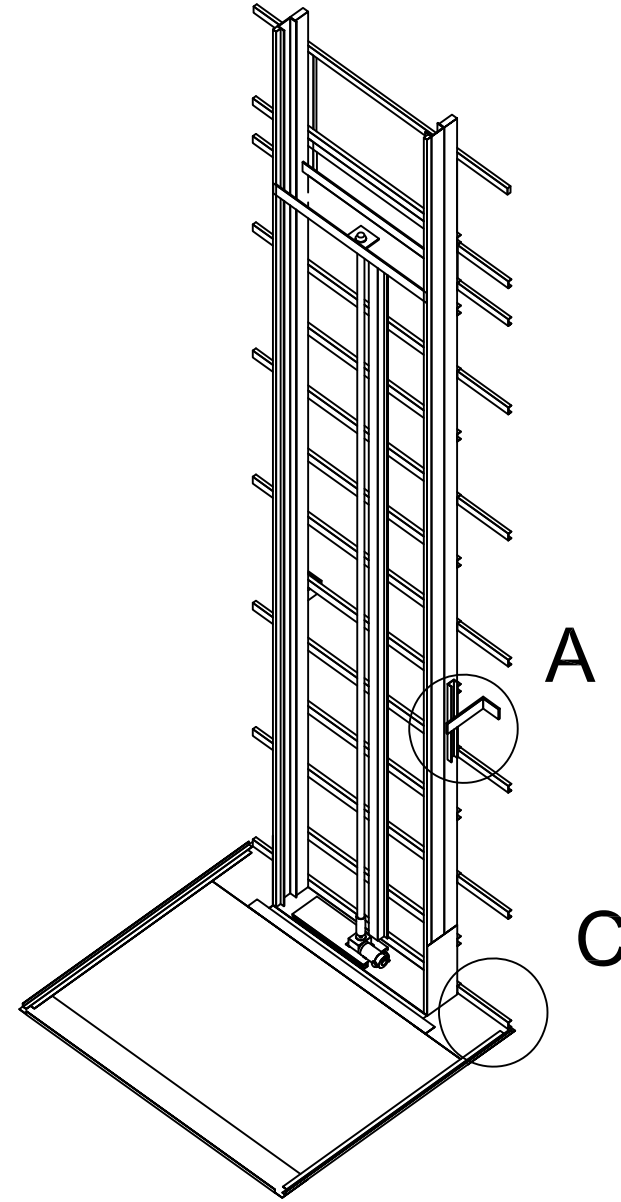
L section force: 3,48 kN
L section load: 11,41 kN/m²



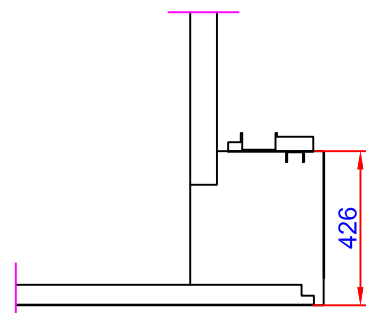
Mast force: 15,85 kN
Mast load: 127,82 kN/m²



Scale: 1:20



C (1:20)



Approved by
builder:

European view placement:



Tender no	Principal drawing		
Order no	A8000 - 1405*1980		
	Loads and forces		
Gen. Tolerances	Date	sheet	Scale:
SS-ISO 27681-1 m	2018-11-01	3 of 7	A3, 1:1

6 5 4 3 2 1