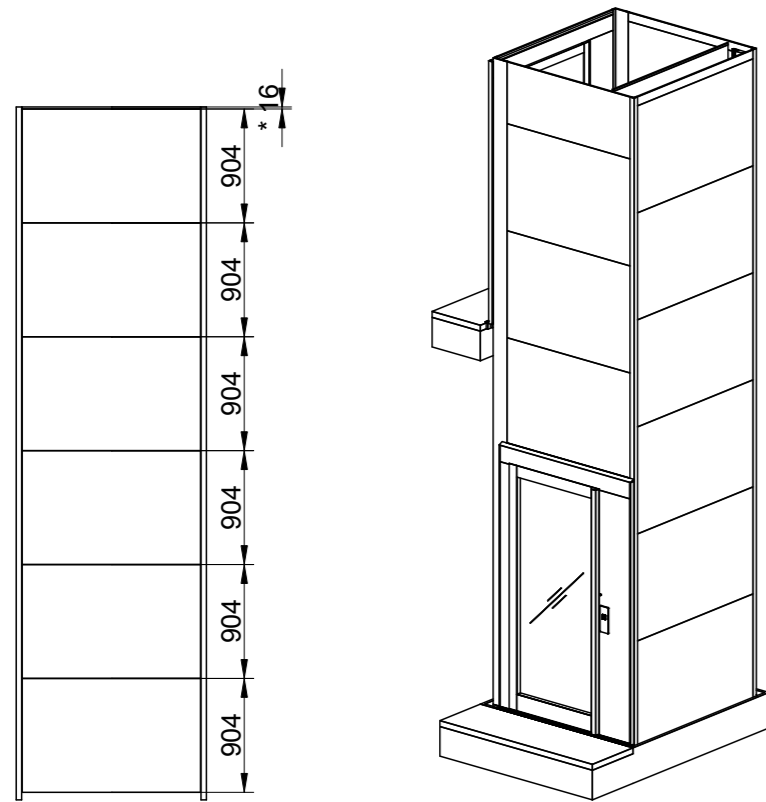
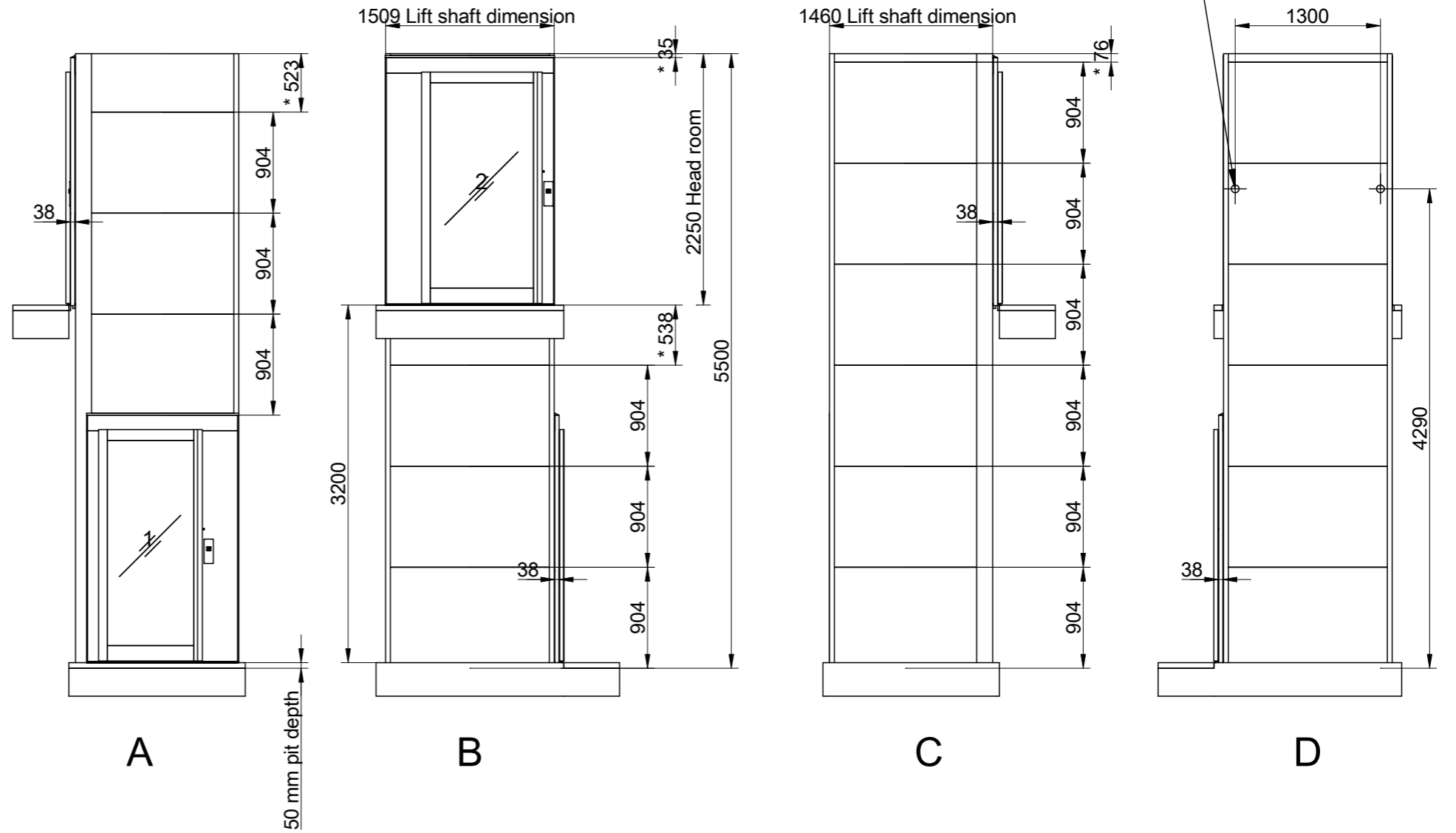
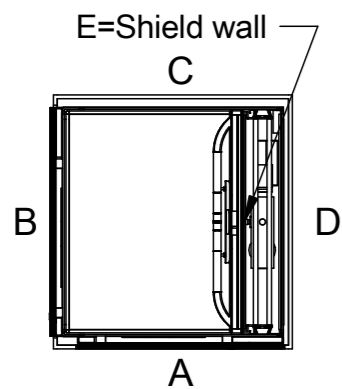


Cutout dimension see sheet
2, forces see sheet 3

*To be adapted on site
**Customized panel



E
Positioning of machinery:



Options
Frekv 1x230/240V 50-60Hz 16 A Soft
Capacity: 400,00 kg

Approved by
builder:

European view placement:



EOS ID

Tender no

Order no

Gen. Tolerances

SS-ISO 27681-1 m

Principal drawing

Air - 1100*1467
Shaft drawing

Date

sheet

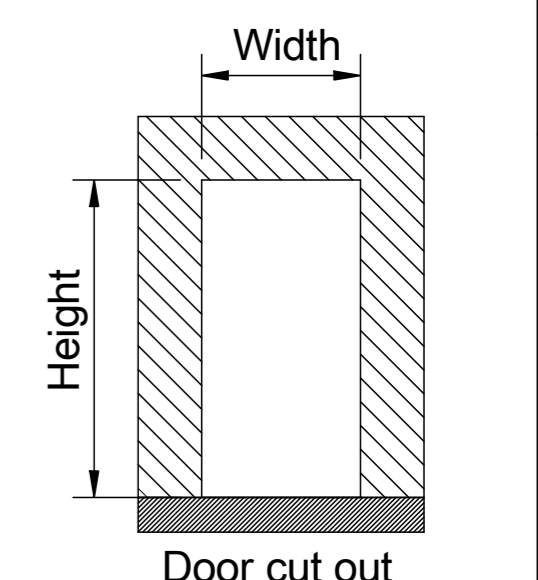
Scale:

A3, 1:50

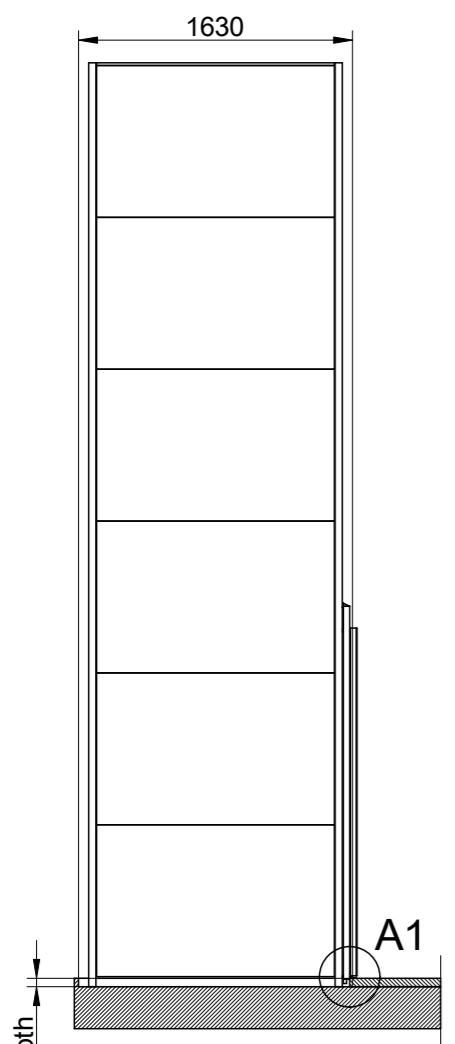
Shaft cutout sizes

Lift unit installed within a shaft by others

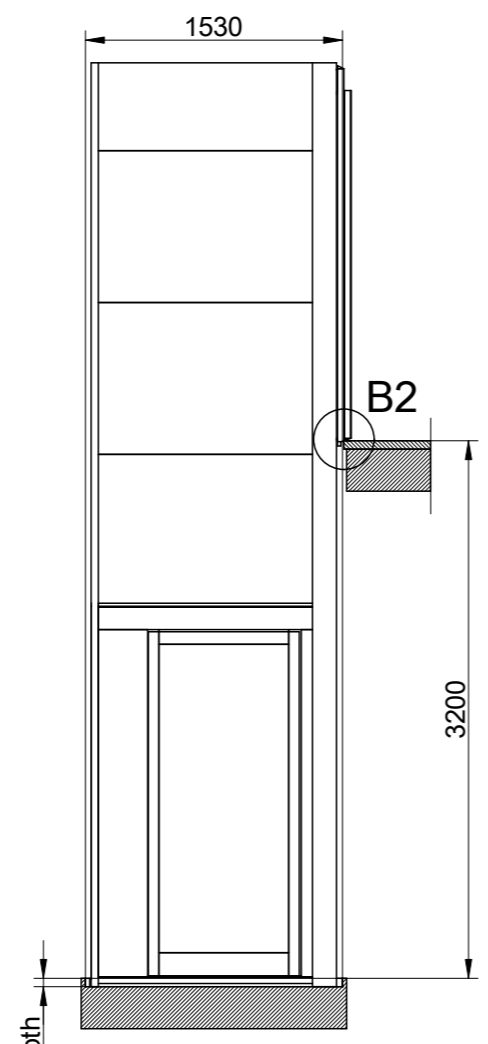
Door front cutout sizes		
Landing	Width	Height
A 1	1530	2250
B 2	1630	2250



Incoming power supply is connected at landing:
 For wiring and power supply, refer to the unit's wiring diagrams.
 Ceiling shaft lighting, is independent from the power cable and pulled back into the trench's upper part. Shaft lighting > 50 lux.
 NOTE! An effective emergency telephone is required for approved inspection.
 The purchaser is responsible for an active phone line being present prior to the lift installation.
 The incoming telephone line is connected to CiLow (TELE). Refer to wiring diagram.
 The emergency signal device is powered by the lift's own battery in the event of a power failure.
 The lift must be equipped with a two-way communication, either via the standard telephone or via the lift telephone, which automatically calls the alarm control center or the like.
 NOTE! A lift featuring a frequency converter cannot be directly connected to a RCD.

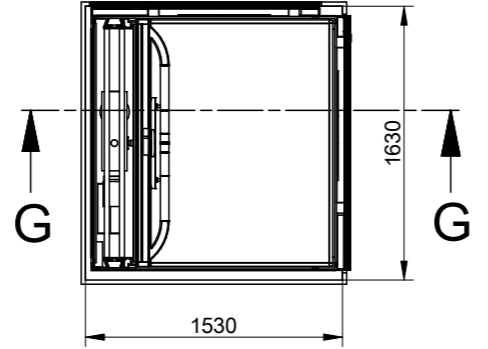
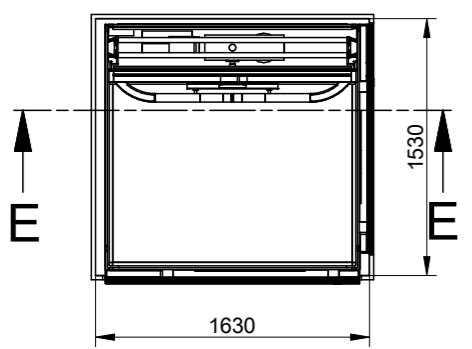


Section E-E



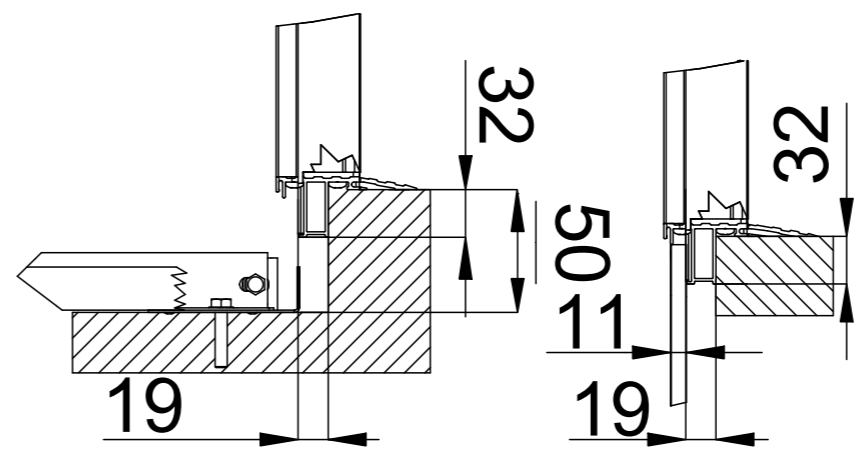
Section G-G

50 mm pit depth + 10 mm, - 0 mm.
 Bottom surface must be flat



A1 (1:5)

B2 (1:5)



Approved by builder:

 European view placement:



EOS ID
 Tender no
 Order no
 Gen. Tolerances
 SS-ISO 27681-1 m

Principal drawing
 Air - 1100*1467
 Cut out sizes
 Date sheet Scale:
 A3, 1:50