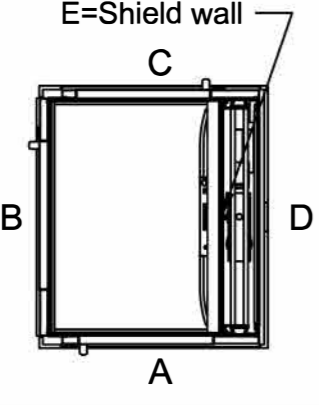


Positioning of machinery:



Options
 Frekv 3x400V 50-60Hz 16 A Soft
 Capacity: 500,00 kg

*To be adapted on site
 **Customized panel

Approved by
 builder:



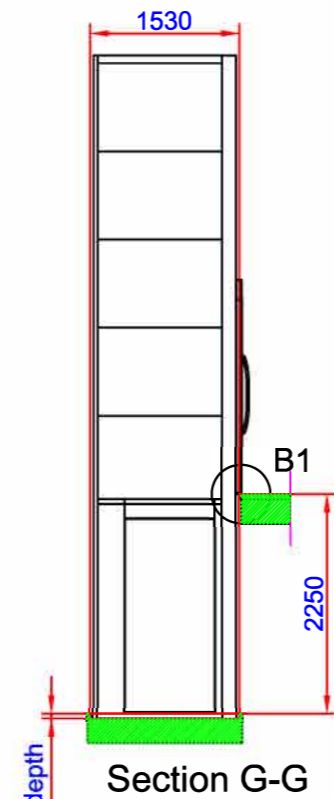
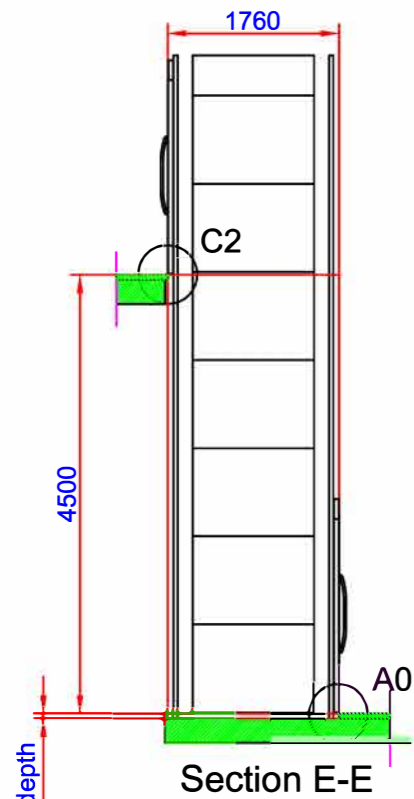
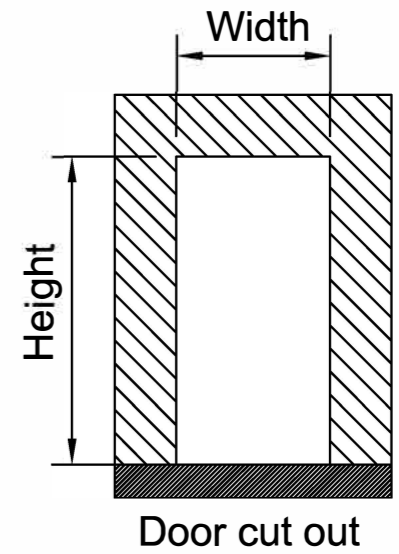
European view placement:

Tender no	Principal drawing		
Order no	A5000 - 1100*1597		
Gen. Tolerances	Date	sheet	Scale:
SS-ISO 27681-1 m	2018-10-31	1 of 7	A3, 1:60

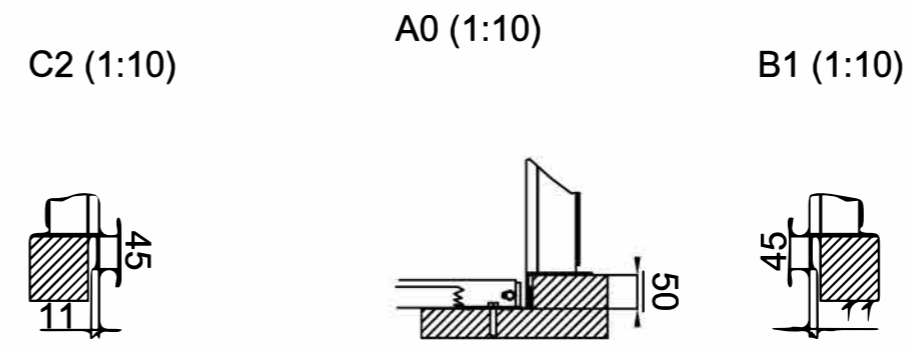
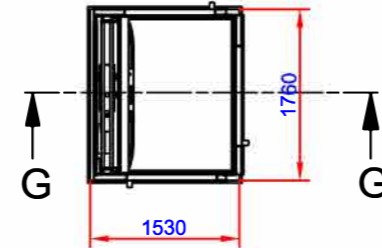
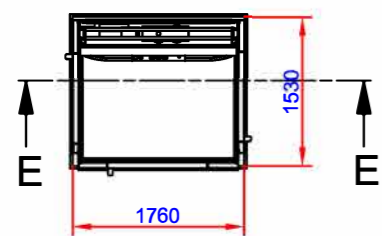
Shaft cutout sizes

Lift unit installed within a shaft by others

Door front cutout sizes		
Landing	Width	Height
A 0	1530	2250
B 1	1760	2250
C 2	1530	2250



50 mm pit depth + 10 mm, - 0 mm.
Bottom surface must be flat




Approved by builder:

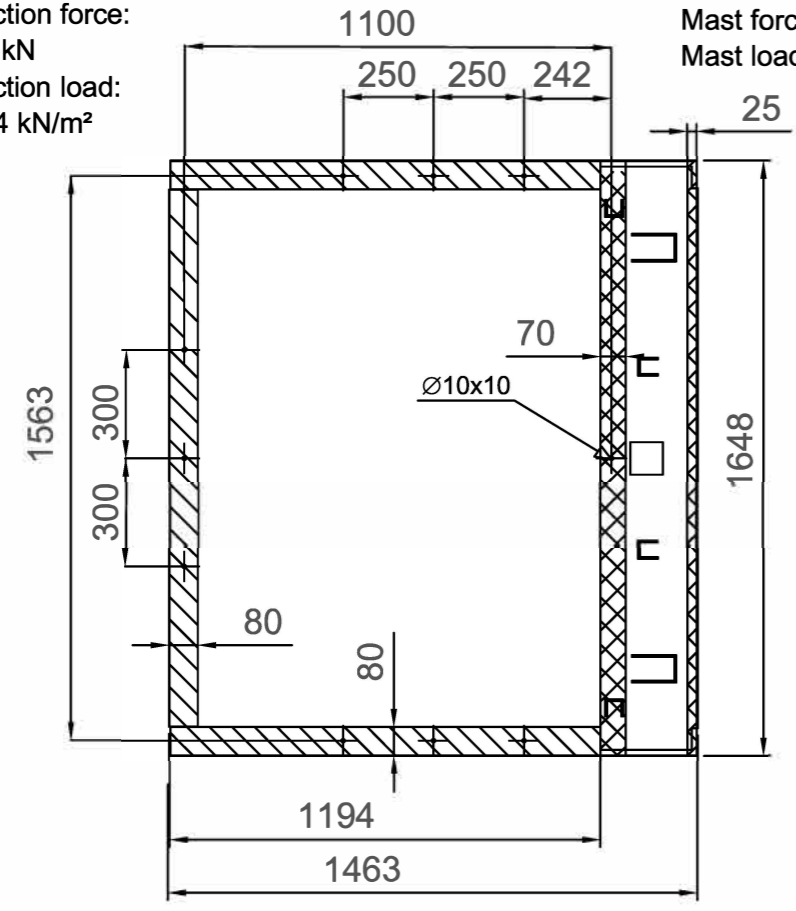
European view placement:



Tender no	Principal drawing A5000 - 1100*1597 Cut out sizes		
Order no			
Gen. Tolerances SS-ISO 27681-1 m	Date 2018-10-31	sheet 2 of 7	Scale: A3, 1:60


Loads sustained by shaft and platform
and fixing points bottom frame

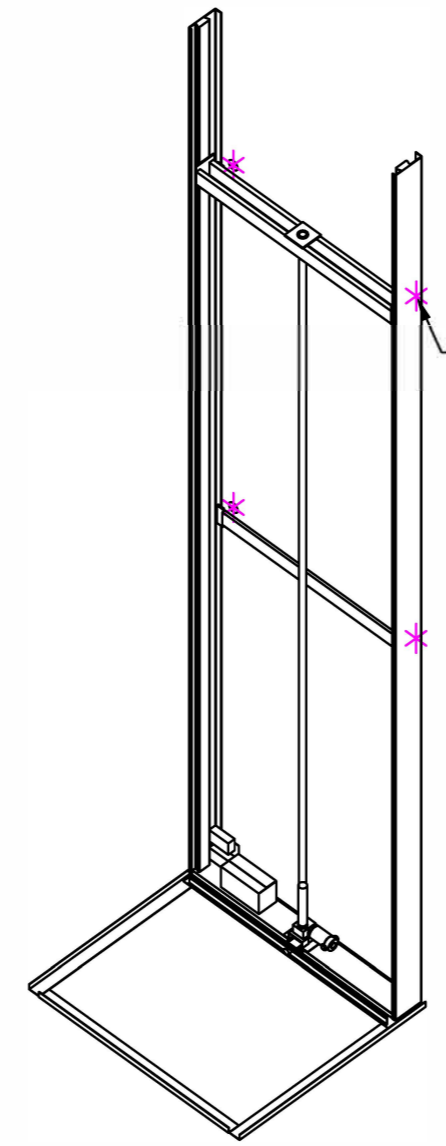
 L section force:
6,54 kN
L section load:
21,44 kN/m²



Scale: 1:20

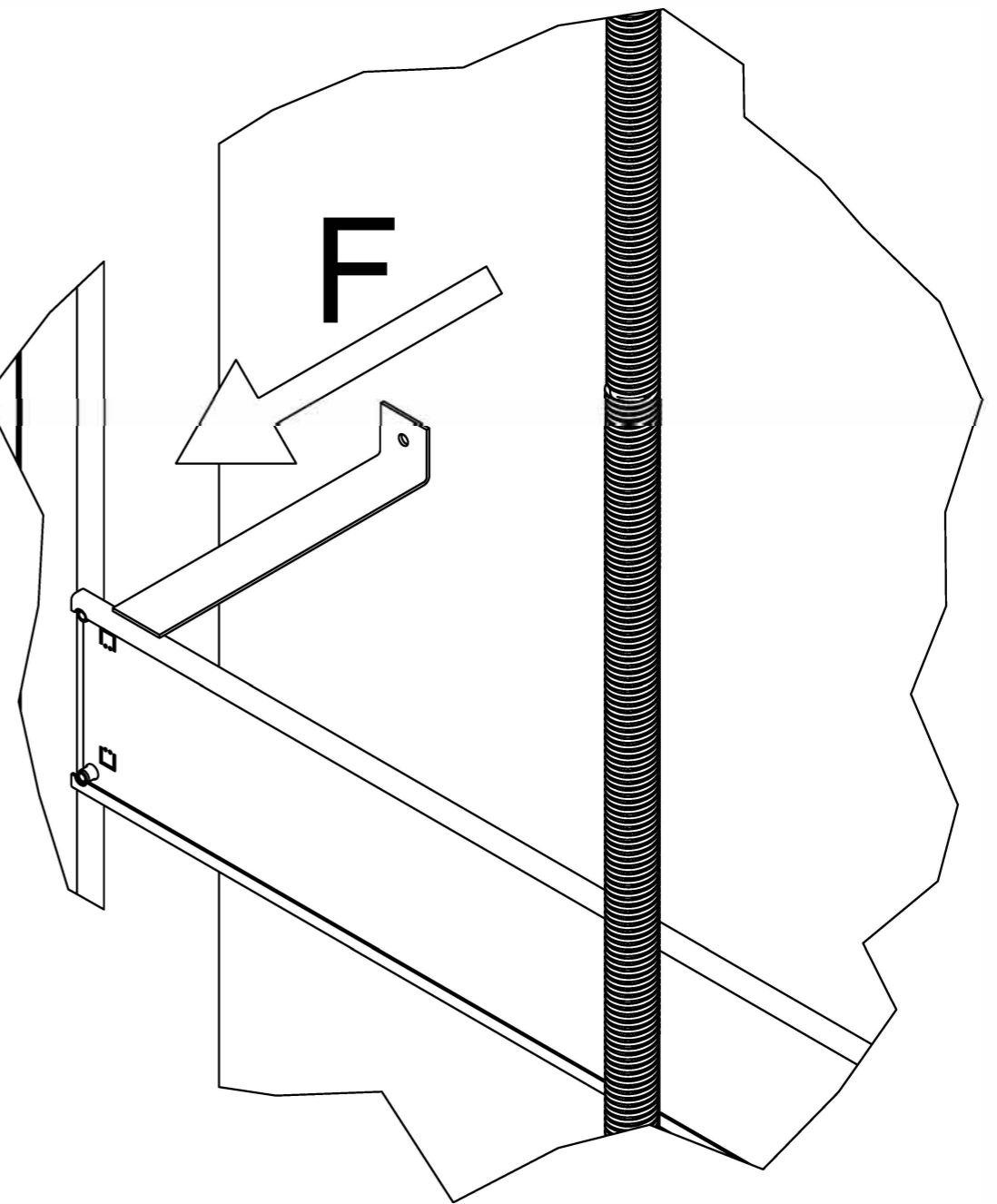
Recommended positioning of fixing points.
Loads per fixing point, F=250 N



 Mast force: 8,32 kN
Mast load: 67,1 kN/m²



Fixing points, 250 N
See detail A

A (1:5)

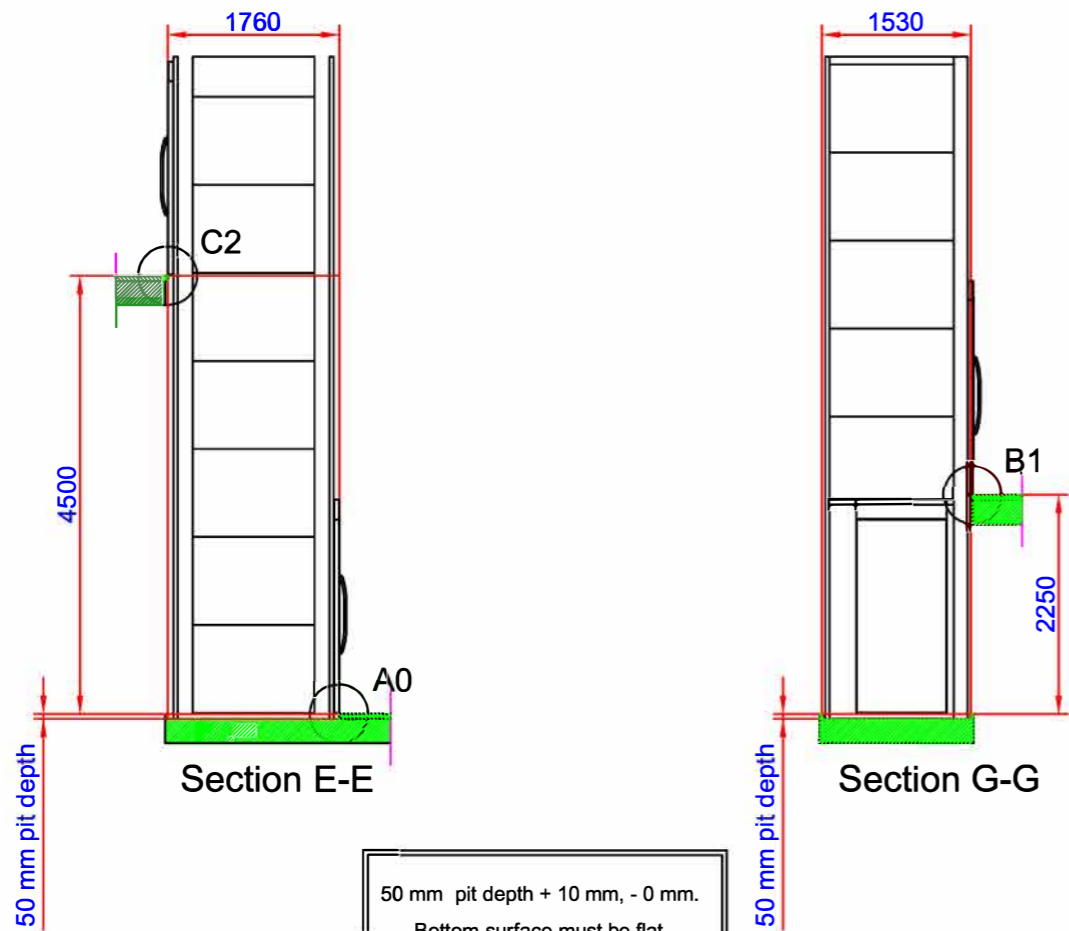
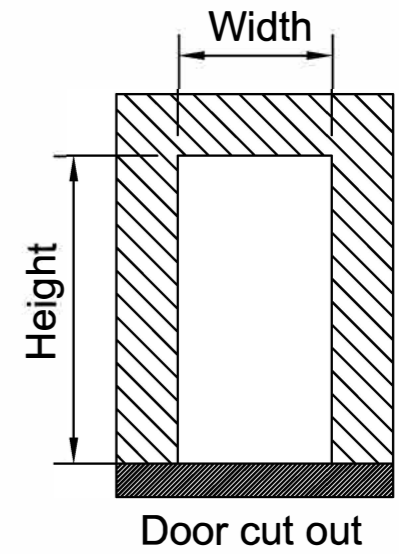


Approved by builder: _____		Tender no		Principal drawing	
		Order no		A5000 - 1100*1597	
European view placement: 		Gen. Tolerances	Date	sheet	Scale:
		SS-ISO 27681-1 m	2018-10-31	3 of 7	A3, 1:60

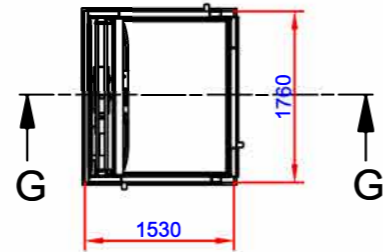
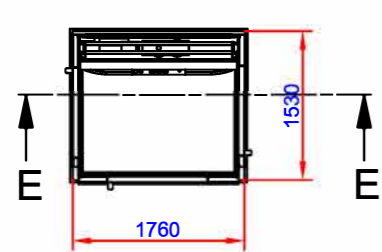
Shaft cutout sizes

Lift unit installed within a shaft by others

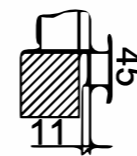
Door front cutout sizes		
Landing	Width	Height
A 0	1530	2250
B 1	1760	2250
C 2	1530	2250



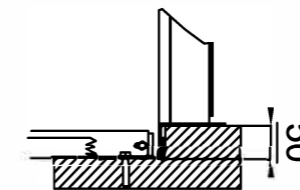
50 mm pit depth + 10 mm, - 0 mm.
Bottom surface must be flat



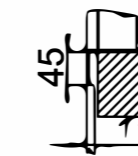
C2 (1:10)



A0 (1:10)



B1 (1:10)



Approved by
builder:

European view placement:



Tender no

Order no

Gen. Tolerances
SS-ISO 27681-1 m


Principal drawing
A5000 - 1100*1597
Cut out sizes

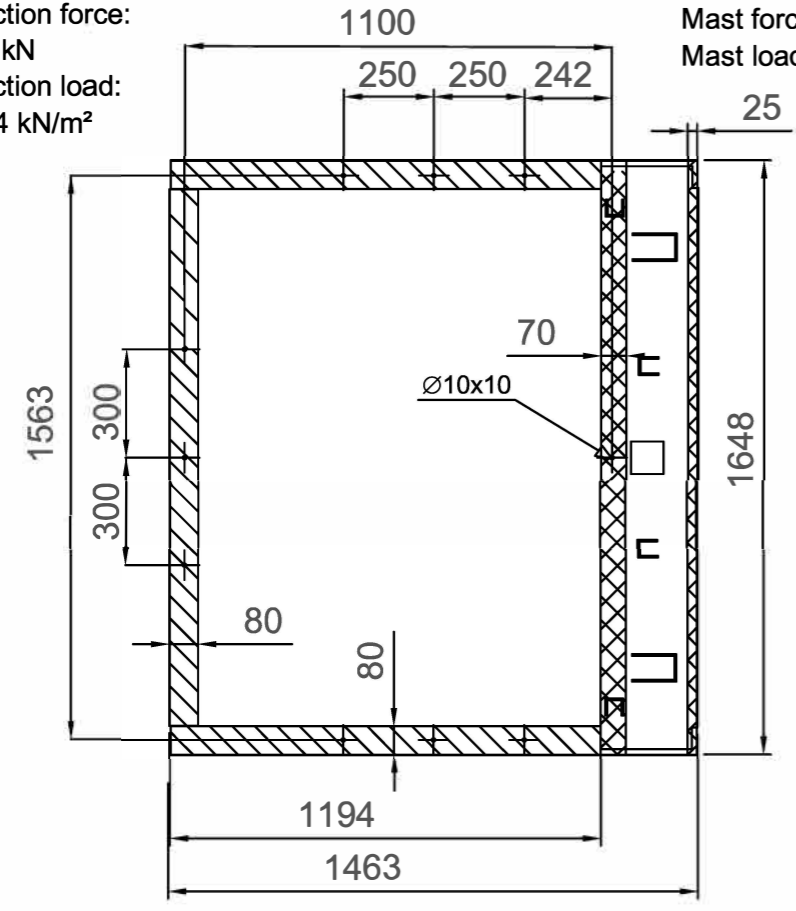
Date
2018-10-31

sheet
2 of 7

Scale:
A3, 1:60


Loads sustained by shaft and platform
and fixing points bottom frame

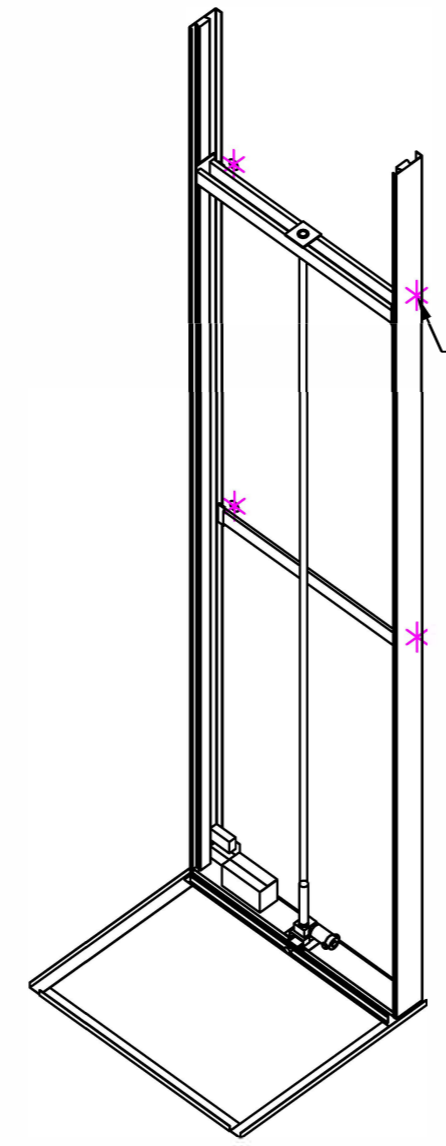
 L section force:
6,54 kN
L section load:
21,44 kN/m²



Scale: 1:20

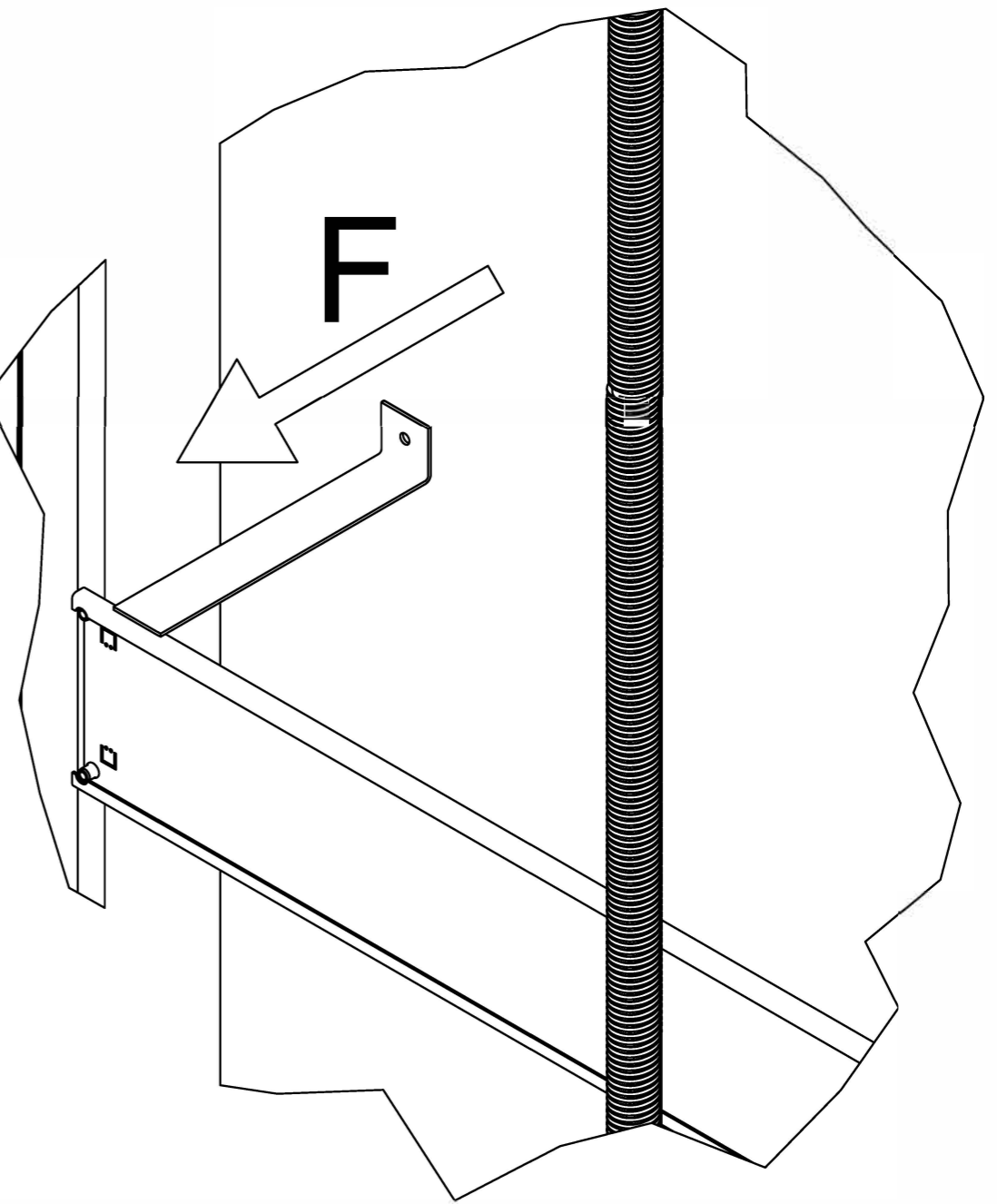
Recommended positioning of fixing points.
Loads per fixing point, F=250 N



 Mast force: 8,32 kN
Mast load: 67,1 kN/m²



Fixing points, 250 N
See detail A

A (1:5)



Approved by builder: _____			Tender no		Principal drawing A5000 - 1100*1597 Loads and forces	
			Order no			
European view placement: 	Gen. Tolerances SS-ISO 27681-1 m	Date 2018-10-31	sheet 3 of 7	Scale: A3, 1:60		