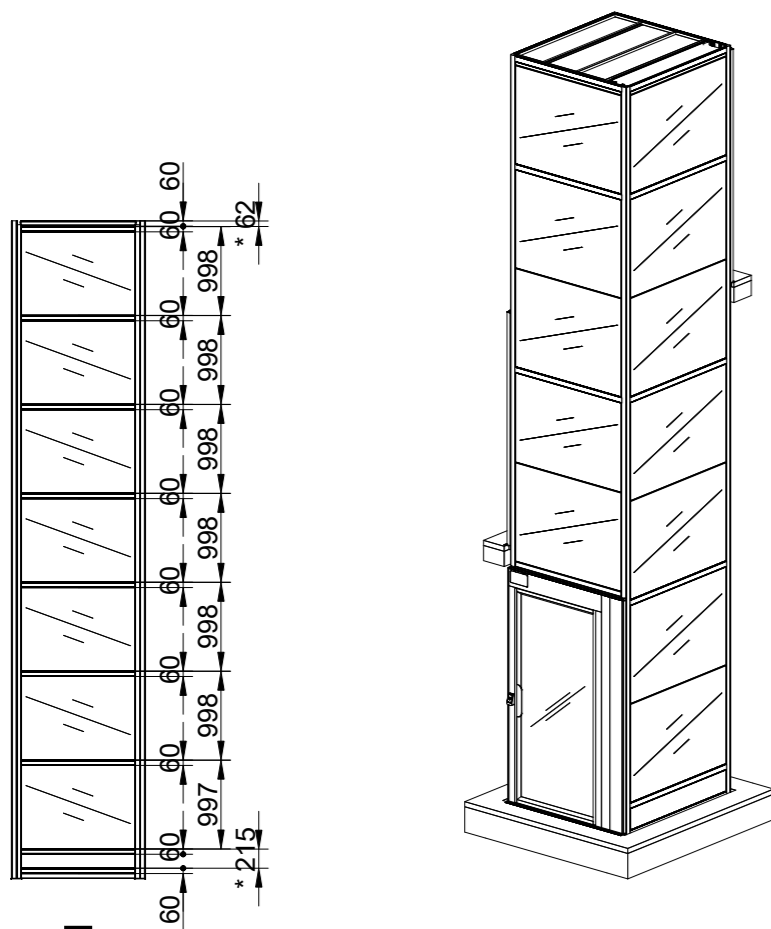
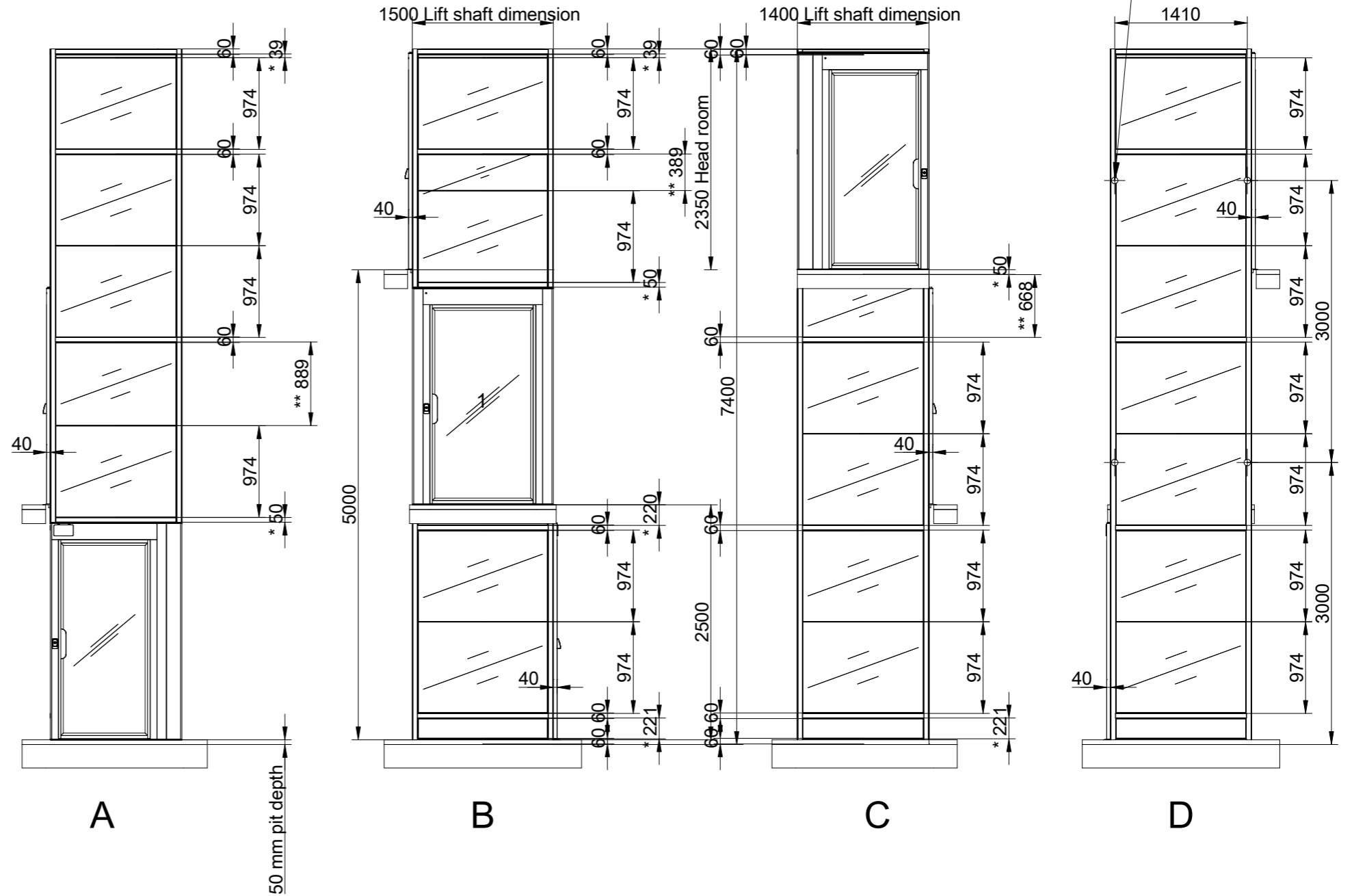
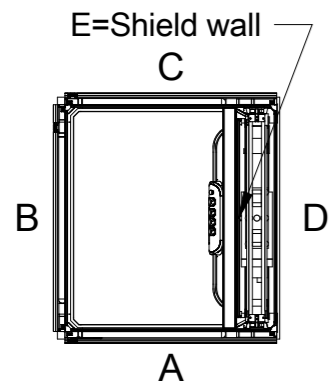


Cutout dimension see sheet  
2, forces see sheet 3

\*To be adapted on site  
\*\*Customized panel



Positioning of machinery:



Options  
400 kg  
Power supply 1x230

Approved by builder:

European view placement:



Tender no  
202305031040

Gen. Tolerances  
SS-ISO 27681-1 m

Principal drawing

1 - 1025\*1450

Shaft drawing

Kalea 1025x1450 3 plan

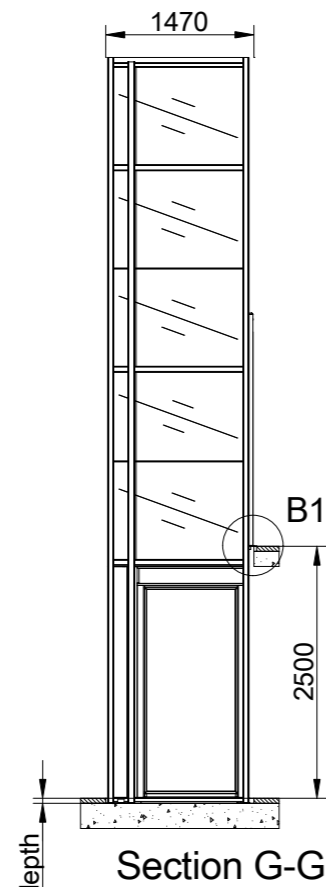
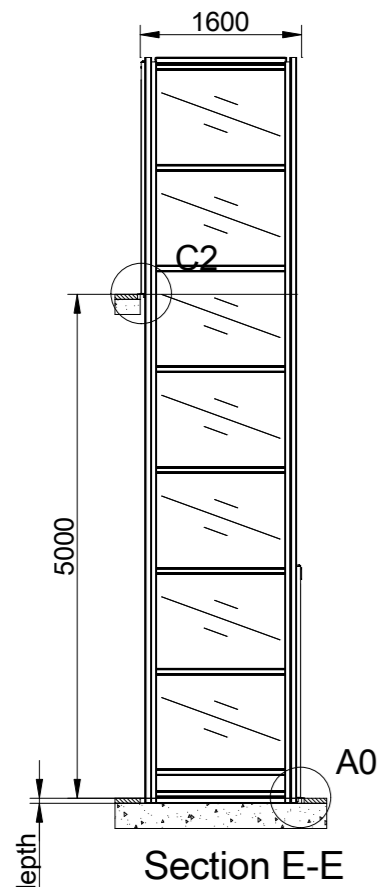
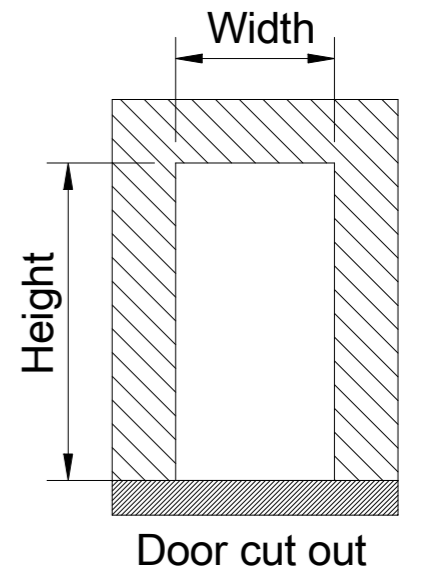
Date  
2023-05-03  
08:04

sheet  
1 of 7

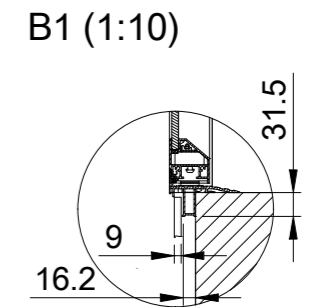
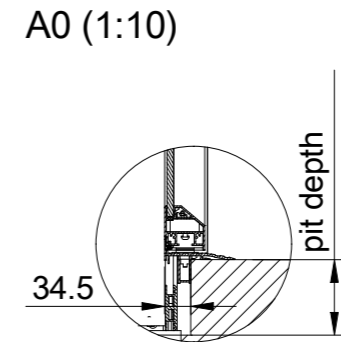
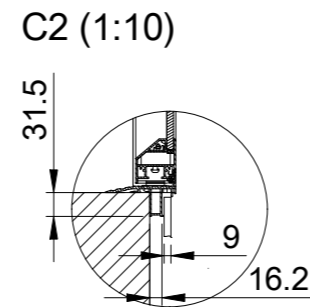
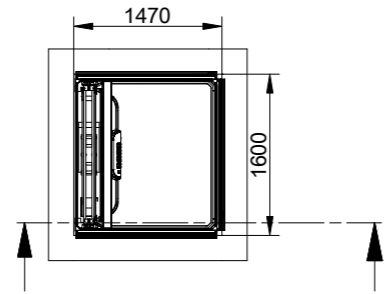
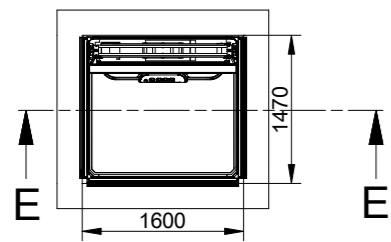
Scale:  
A3, 1:50

# Shaft cutout sizes

Door front cutout sizes		
Landing	Width	Height
A 0	1470	2315
B 1	1600	2315
C 2	1470	2315



50 mm pit depth + 10 mm, - 0 mm.  
Bottom surface must be flat



Approved by builder:



Tender no  
202305031040

Principal drawing  
1 - 1025\*1450  
Cut out sizes  
Kalea 1025x1450 3 plan

European view placement:



Gen. Tolerances  
SS-ISO 27681-1 m

Date  
2023-05-03  
08:04

sheet  
2 of 7

Scale:  
A3, 1:50

6 5 4 3 2 1

Loads sustained by shaft and platform  
and fixing points bottom frame

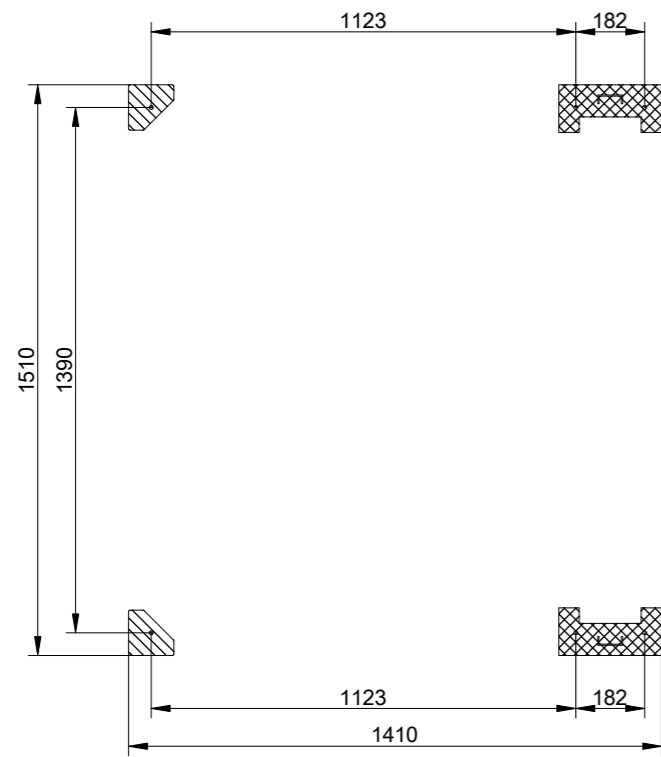
Recommended positioning of fixing points.  
Loads per fixing point, F=250 N



L section force: 5.64 kN  
L section load:  
Weight on L-section  
area: 564 kg

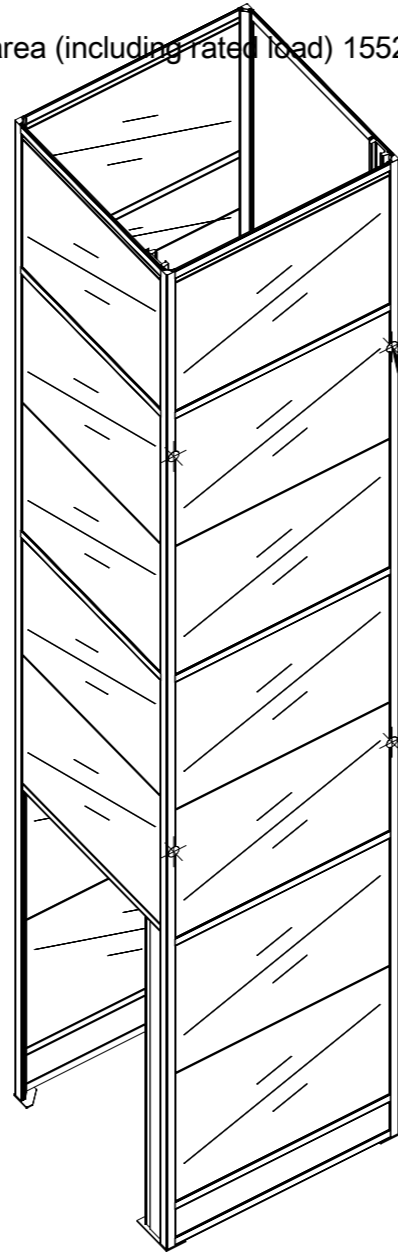


Mast force: 15.52 kN  
Mast load:  
Weight on mast area (including rated load) 1552 kg

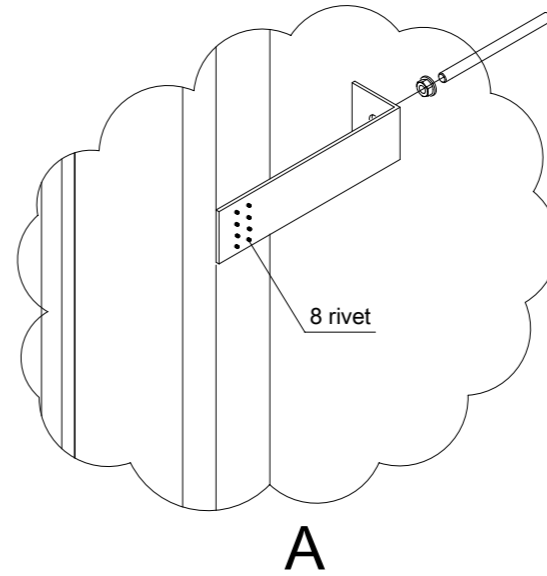


Scale: 1:20

Total weight of the lift equipment (including rated load)  
2116 kg



Fixing points 2500  
N  
See detail A



D

C

B

A

D

C

B

A

6 5 4 3 2 1

Approved by builder:  
\_\_\_\_\_

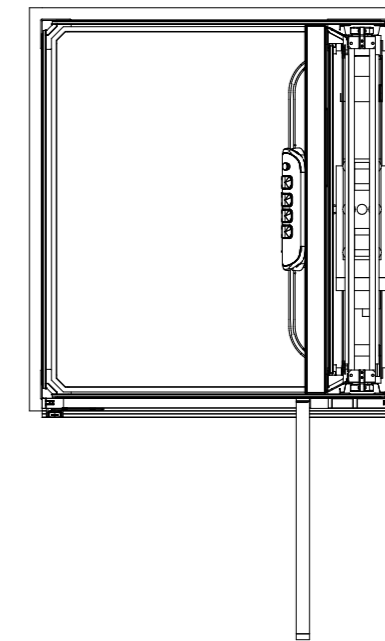
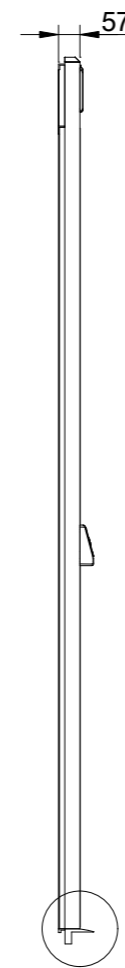
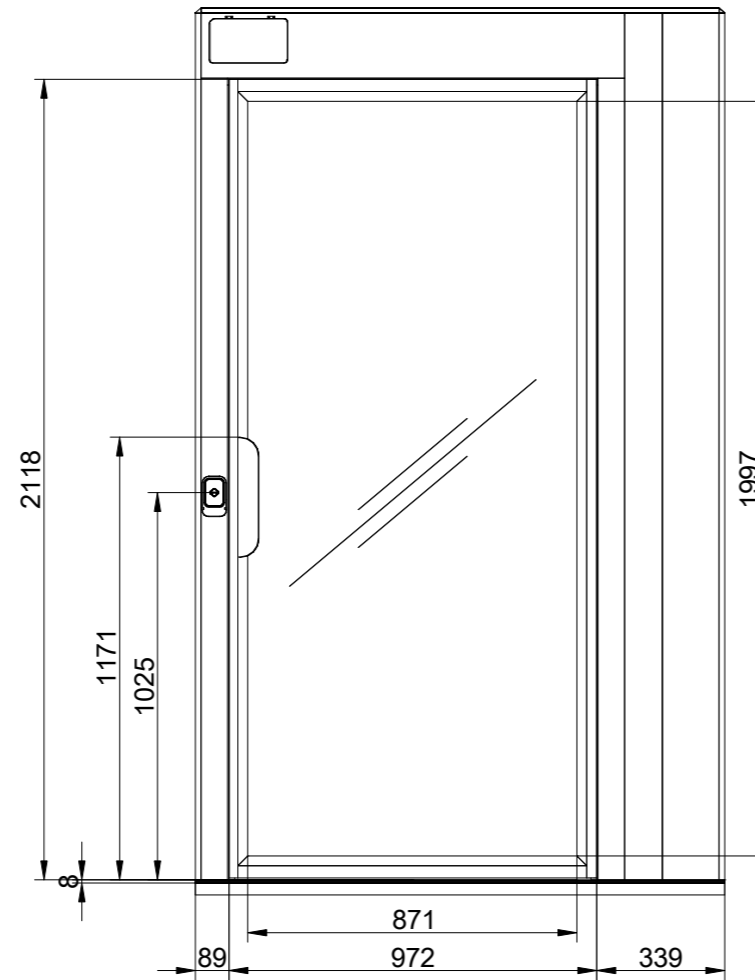
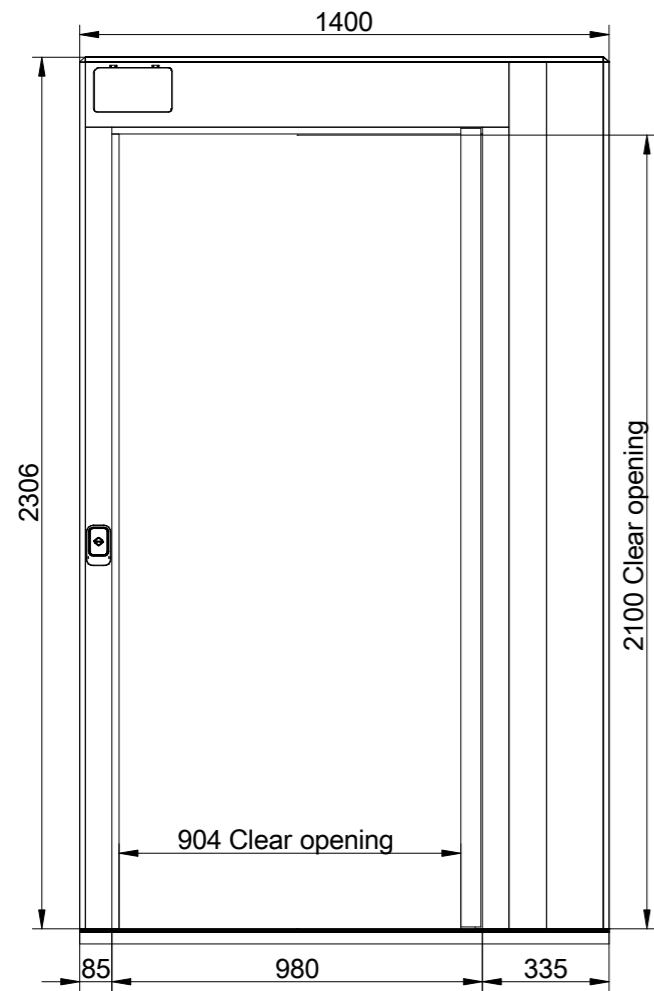
European view placement:



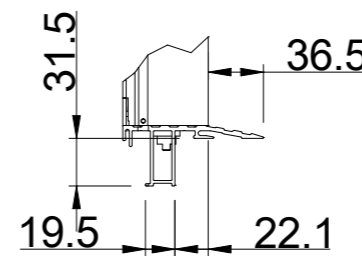
Tender no	202305031040		
Gen. Tolerances	Date	sheet	Scale:
SS-ISO 27681-1 m	2023-05-03 08:04	3 of 7	A3, 1:50

Principal drawing  
1 - 1025\*1450  
Loads and forces  
Kalea 1025x1450 3 plan

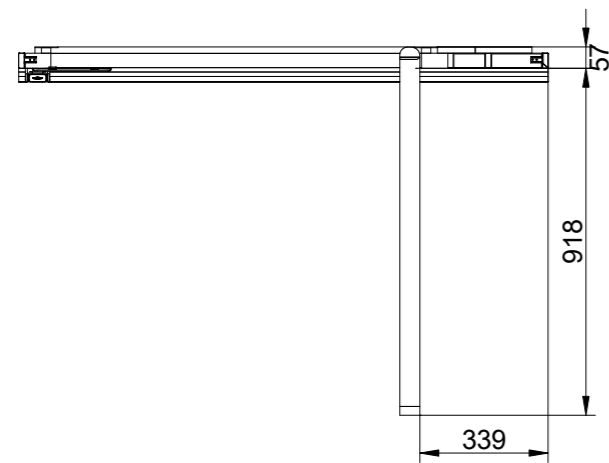
Landing 0 and door front information  
Scale: 1:20



Scale: 1:30



A (1:5)



Landing	Door type
0	Panoramic Plus
1	Panoramic Plus
2	Panoramic Plus

Approved by builder:

European view placement:



Tender no  
202305031040

Gen. Tolerances  
SS-ISO 27681-1 m

Principal drawing

1 - 1025\*1450

Cut out sizes

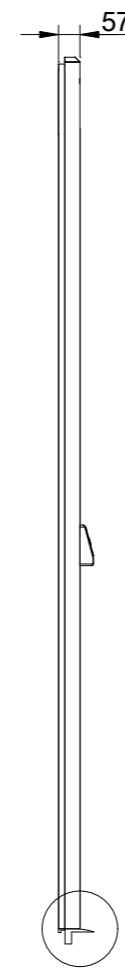
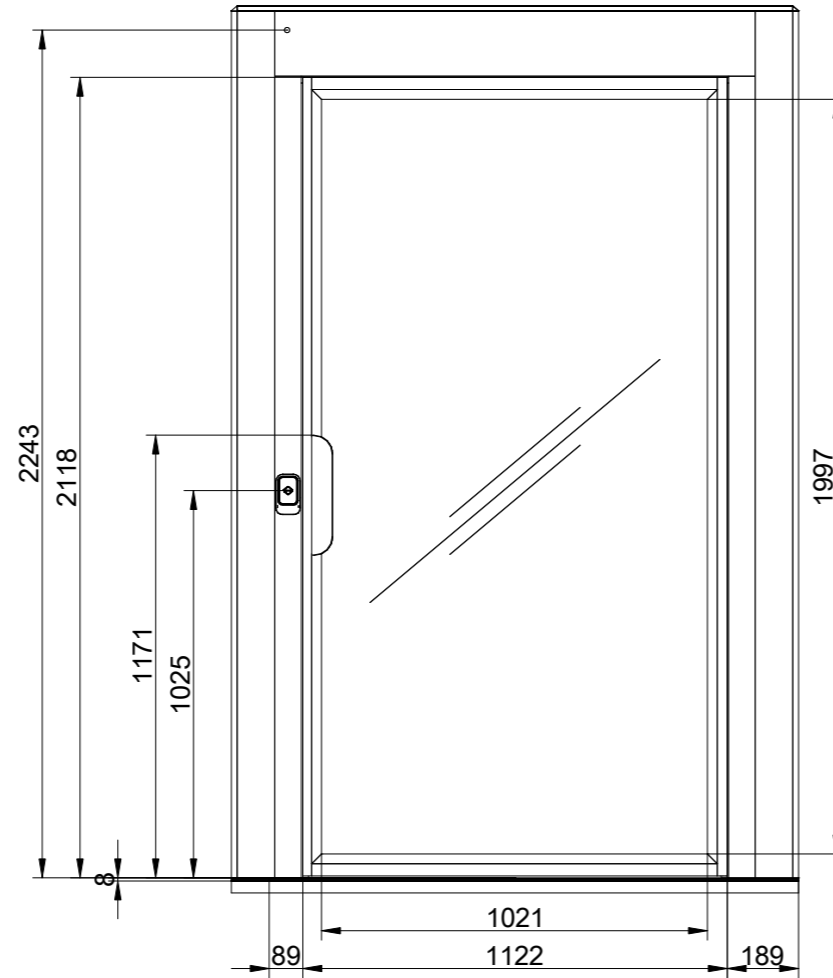
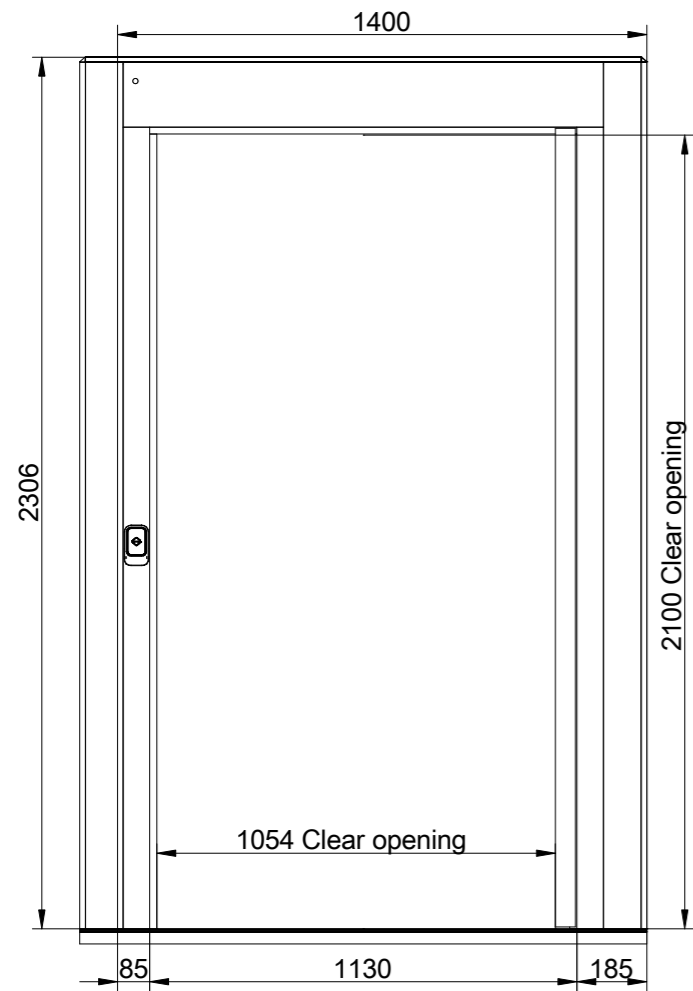
Kalea 1025x1450 3 plan

Date  
2023-05-03  
08:04

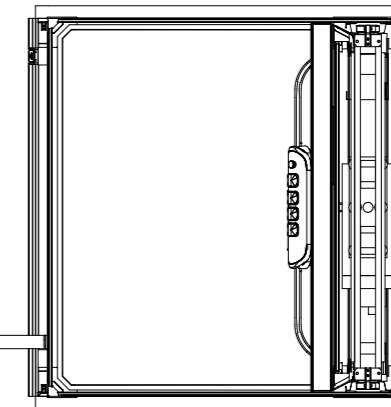
sheet  
4 of 7

Scale:  
A3, 1:50

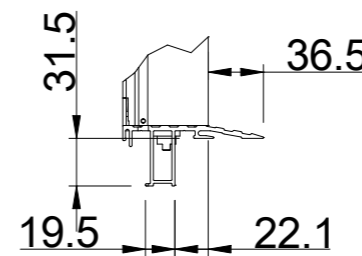
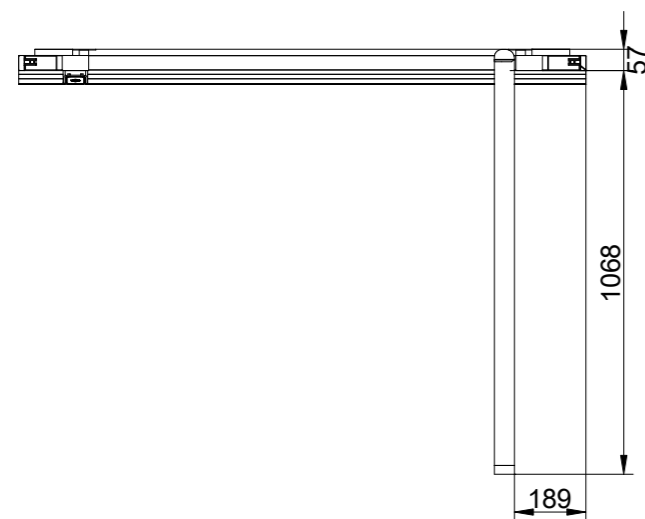
Landing 1 and door front information  
Scale: 1:20



A



Scale: 1:30



A (1:5)

Landing	Door type
0	Panoramic Plus
1	Panoramic Plus
2	Panoramic Plus

Approved by builder:

European view placement:



Tender no  
202305031040

Gen. Tolerances  
SS-ISO 27681-1 m

Principal drawing

1 - 1025\*1450

Landing information

Kalea 1025x1450 3 plan

Date  
2023-05-03  
08:04

sheet  
5 of 7

Scale:  
A3, 1:50

6 5 4 3 2 1

D

C

B

A

D

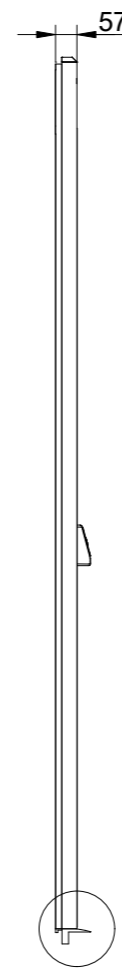
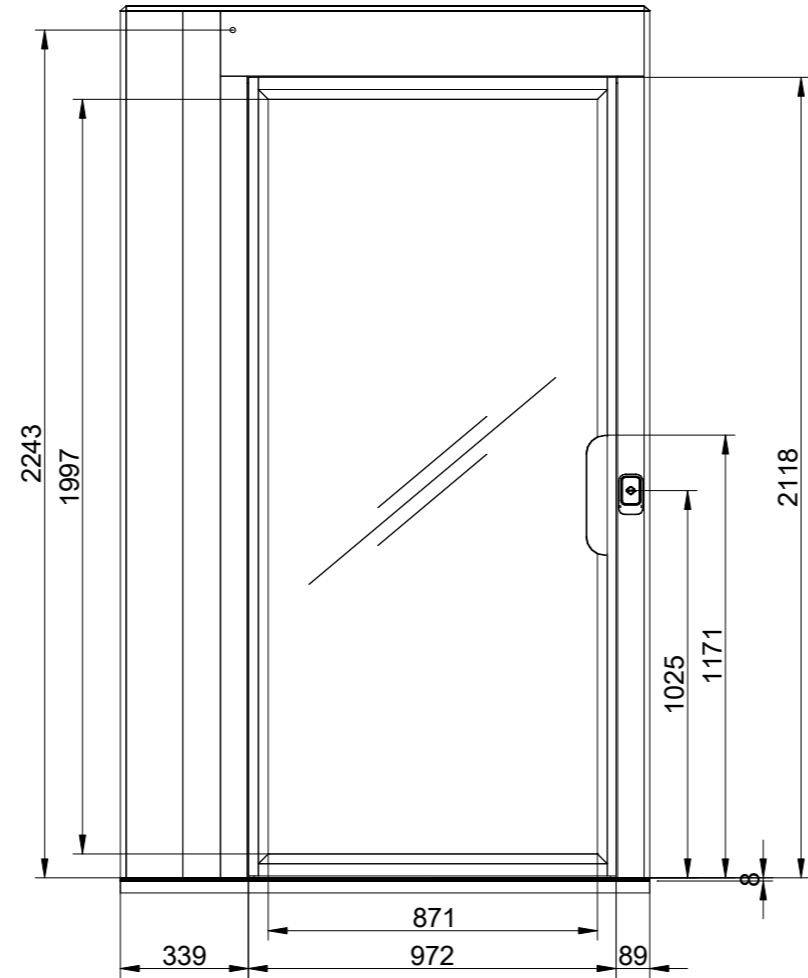
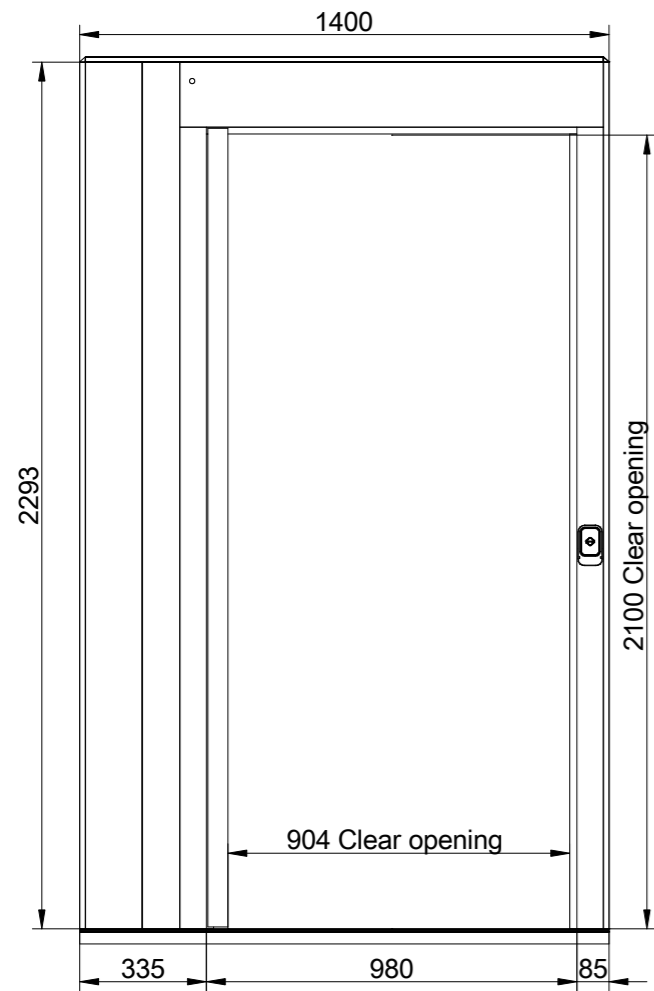
C

B

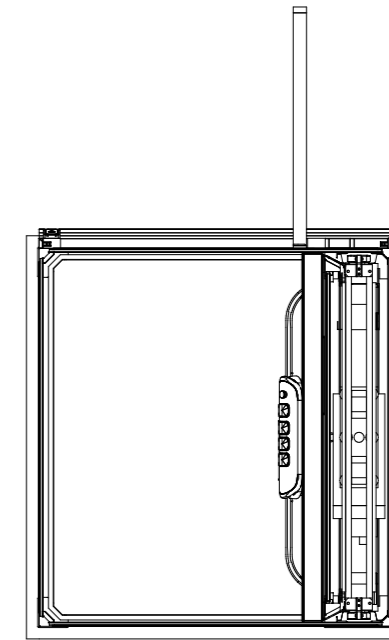
A

6 5 4 3 2 1

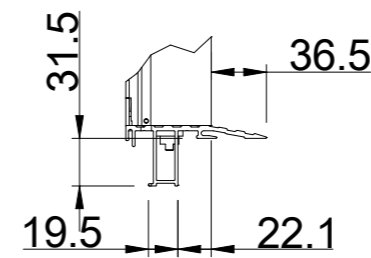
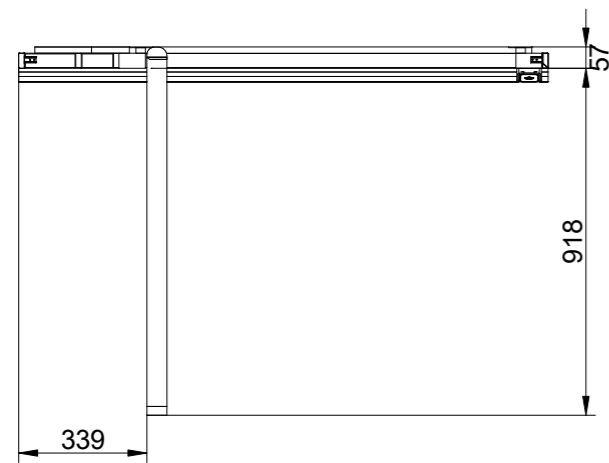
Landing 2 and door front information  
Scale: 1:20



A



Scale: 1:30



A (1:5)

Landing	Door type
0	Panoramic Plus
1	Panoramic Plus
2	Panoramic Plus

Approved by builder:

European view placement:



Tender no  
202305031040

Gen. Tolerances  
SS-ISO 27681-1 m

Principal drawing

1 - 1025\*1450

Landing information

Kalea 1025x1450 3 plan

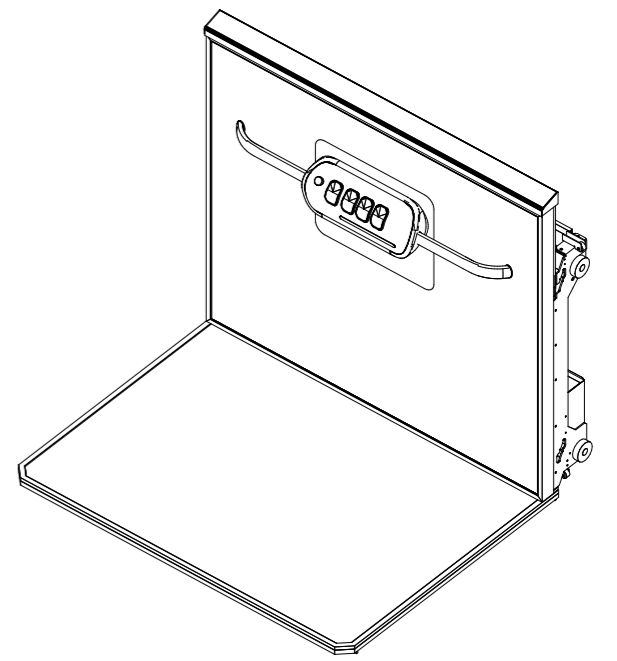
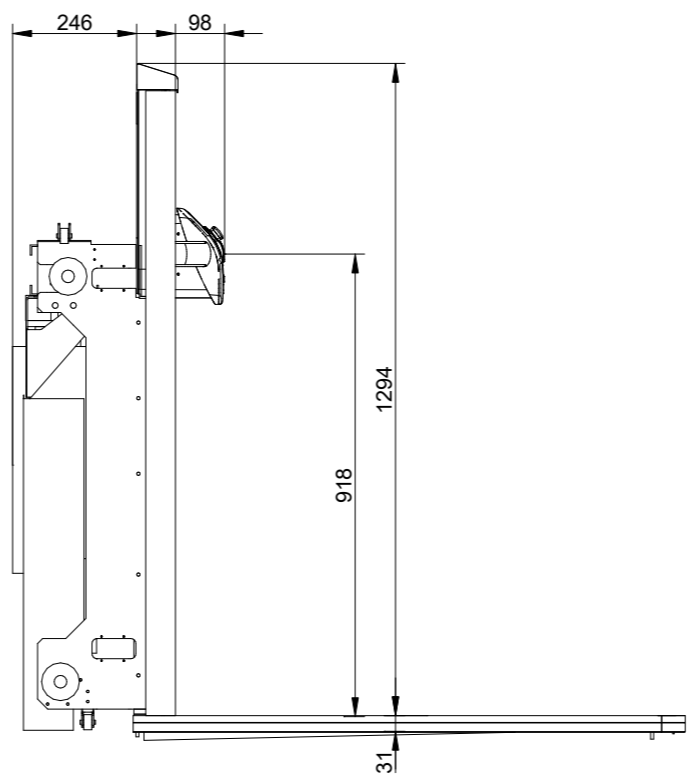
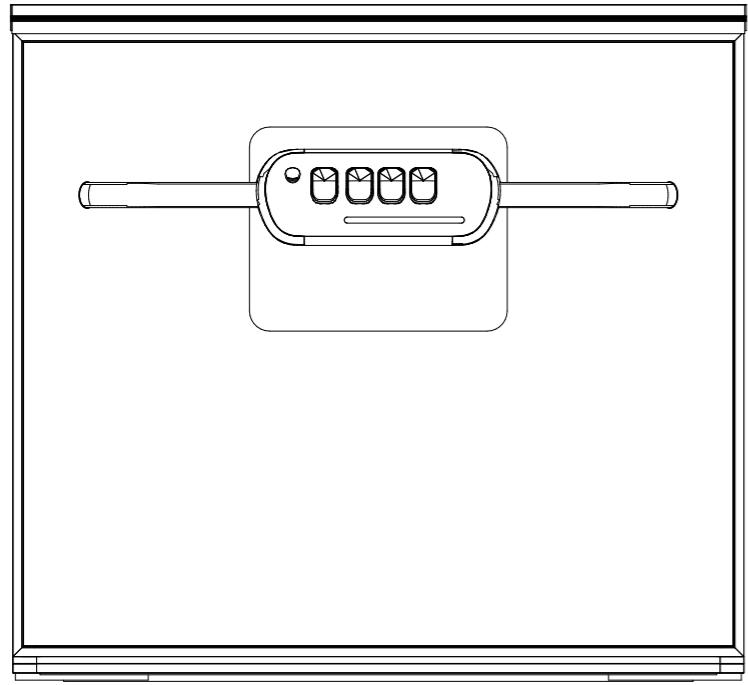
Date  
2023-05-03  
08:04

sheet  
6 of 7

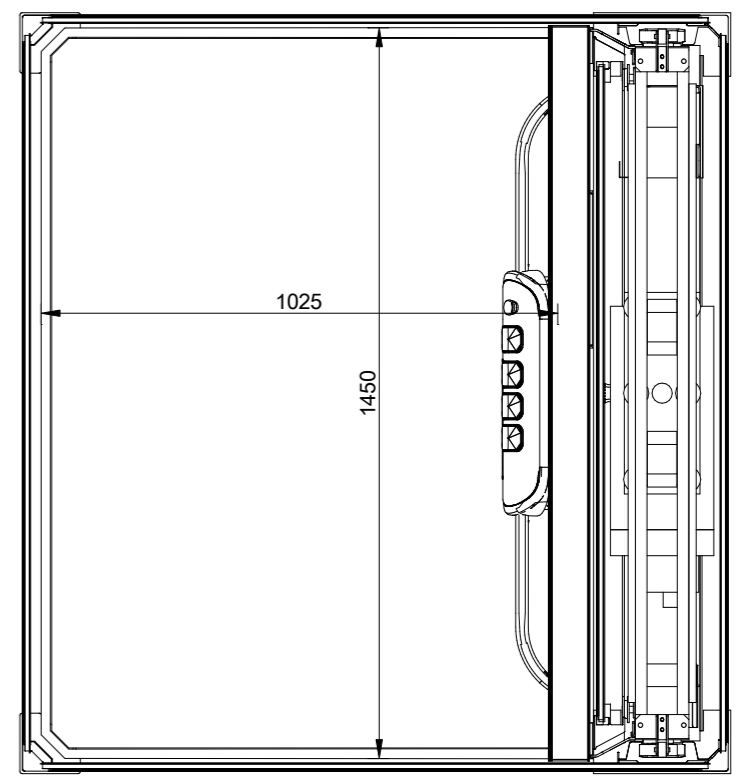
Scale:  
A3, 1:50

6 5 4 3 2 1

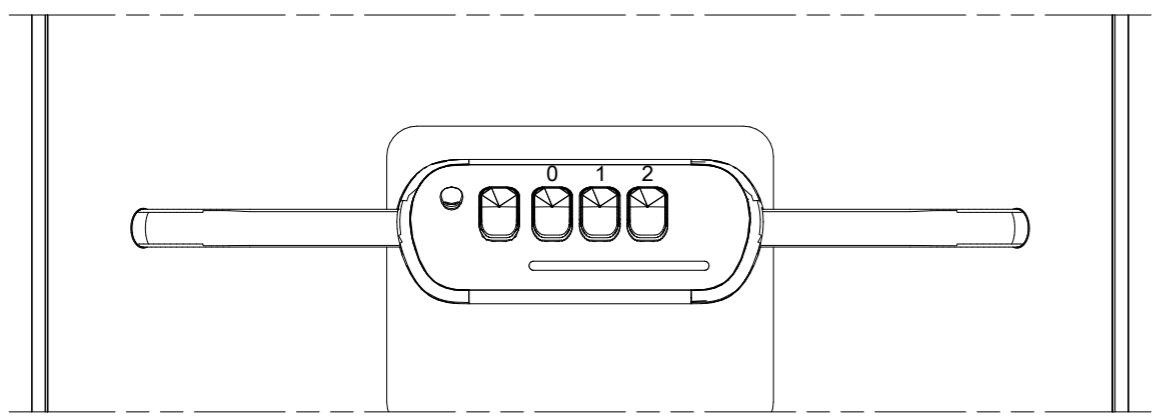
**Platform layout**  
Scale: 1:15



**Platform dimensions**  
Scale: 1:15



**Button layout**  
Scale: 1:10



Approved by builder:  _____	<b>KALEA</b> LIFTS	Tender no 202305031040		Principal drawing 1 - 1025*1450 Platform layout Kalea 1025x1450 3 plan	
		Gen. Tolerances SS-ISO 27681-1 m	Date 2023-05-03 08:04	sheet 7 of 7	Scale: A3, 1:50
European view placement:					

6 5 4 3 2 1

D  
C  
B  
A

D  
C  
B  
A