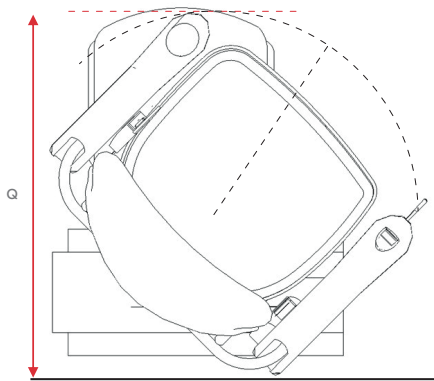
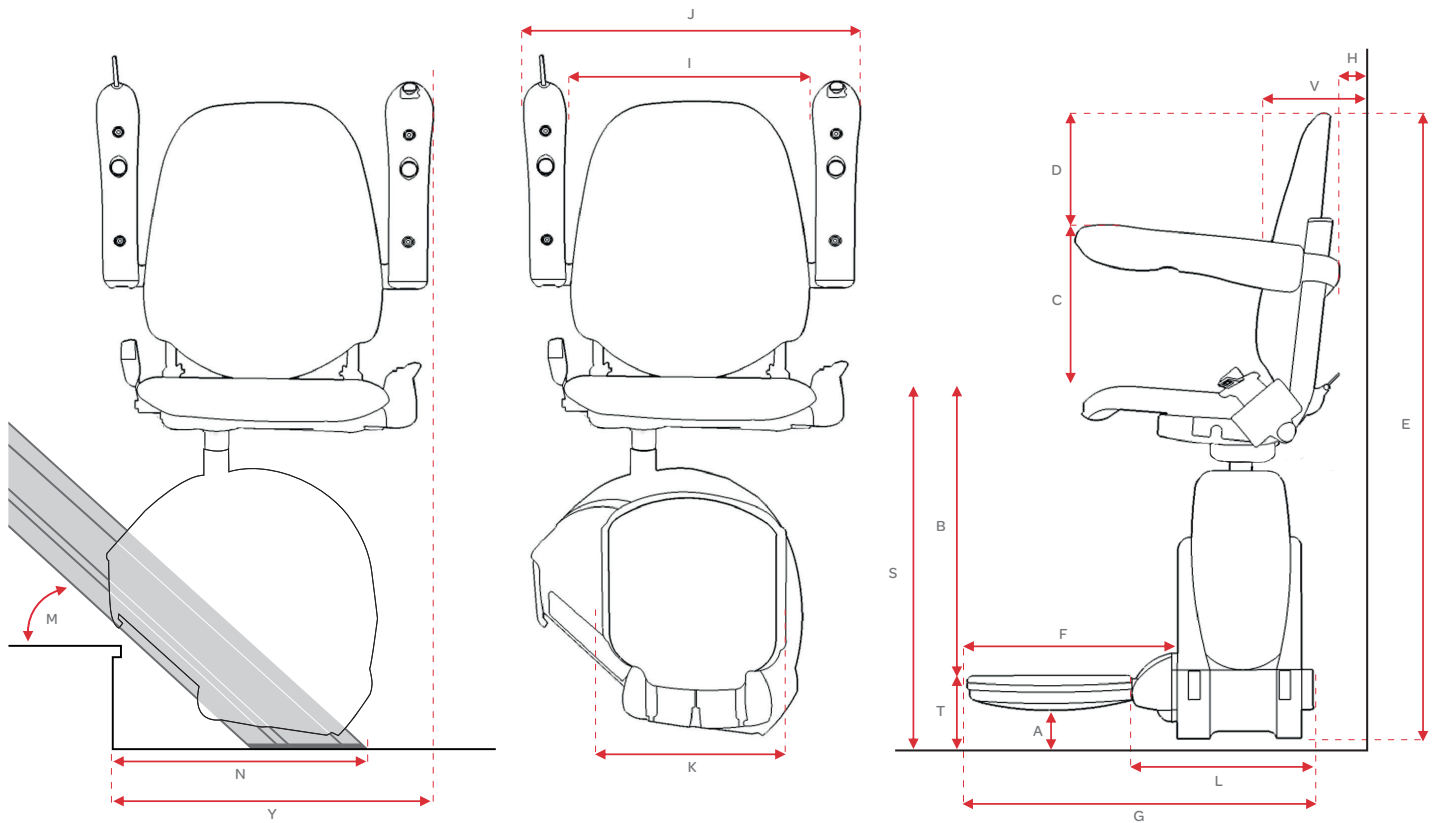


Otolift Line Datasheet



Stair Angle (deg)	A (mm)	B (mm)
25	565	0
28	575	0
30	585	0
32	590	0
34	600	0
36	610	0
38	615	5
40	625	35
42	630	65
44	640	95
46	650	125
48	660	155
50	670	185
52	675	215

This datasheet is intended to be used for reference only. All dimensions shown from the wall will be affected by any additional obstructions and are subject to a full site survey. Measurements are in millimetres. No rights can be obtained from this datasheet.

A	Floor to bottom of footrest	65	K	Width of footrest	310
B	Top of footrest to top of seat *	500-580	L	Folded footrest width	310
C	Top of seat to top of arms	230	M	Climbing Angle	25-52°
D	Top of arms to top of seat back	250	N	Front of rail to first step (47° start)	370
E	Overall height * (@43) from floor	1100-1180	Q	Minimum swivel radius from wall	665-720
	Overall Height (@43) from drive to folded Arms (inc. control).	1175-1255	S	Seat to floor *	620-700
F	Length of footrest	370	T	Top of the footrest to floor	120
G	Front of footrest to back of leg	610	V	Back of chair (inside) to wall	110(MAN)120(PS)
H	Back of seat to wall (minimum)	40(MAN)50(PS)	Y	Armrest to 1st riser (47° start)	1st Nose to outside arm 550 1st Nose to PS cover 560
I	Width between armrests	430			
J	Overall width	580			

* Depending on seat height set

When a foldable rail is used, all dimensions stay unchanged

Otolift Line

Datasheet



CHAIR

Seat type Ergonomic chair with swivel option left or right at top of stairs to enable safe dismount.

Materials Steel frame, seat and backrest with flame retardant upholstery.

Finish All steel parts are epoxy powder coated.

Armrests Seat armrests are lasercut and folded steel with injection moulded plastics.

Switches Holding switch is located on the arm of the seat, however Main ON/OFF switch is mounted in chassis shuttle plate.

Load Max 160 kg with inclination angle up to 52°.

Safety Safety belt and safety switches on the side panels, under the carriage and foot rest, barrier arm (optional) and overspeed control.

CARRIAGE

Construction Welded steel frame, cast aluminium motor/gearbox.

Finish Epoxy powder coated.

Motor DC motor 24V 200 W.

Start Soft start and stop.

Electronics Micro processor control unit for motor-control.

Batteries 2 x 12V, 7Ah.

Noise level Maximum operating level 45 dBA.

FOOTREST

Construction Welded steel frame covered with anti-slip TPE top layer.

Finish All steel parts are epoxy powder coated.

Folding The folding of the footrest is manually operated (footrest link optional).

Safety Bottom side is provided with a safety panel, operating in both ways of direction of travel.

RAIL

Construction Extruded aluminium rails.

Finish Mill finish. Anodised profile for Outdoor unit.

Fixing Simple legs with base-plate, screwed only to staircase. Wall-fixation also possible.

Length Max. 30 meters.

Rail wiring Through the rail.

Drive method Toothrack and pinion.

Max inclination Up to 52°.

Starting options Foldable rail.

OTHER PARTS

Remote controls Remote controls with light touch switches.

Charge Continuous Charge Strip.