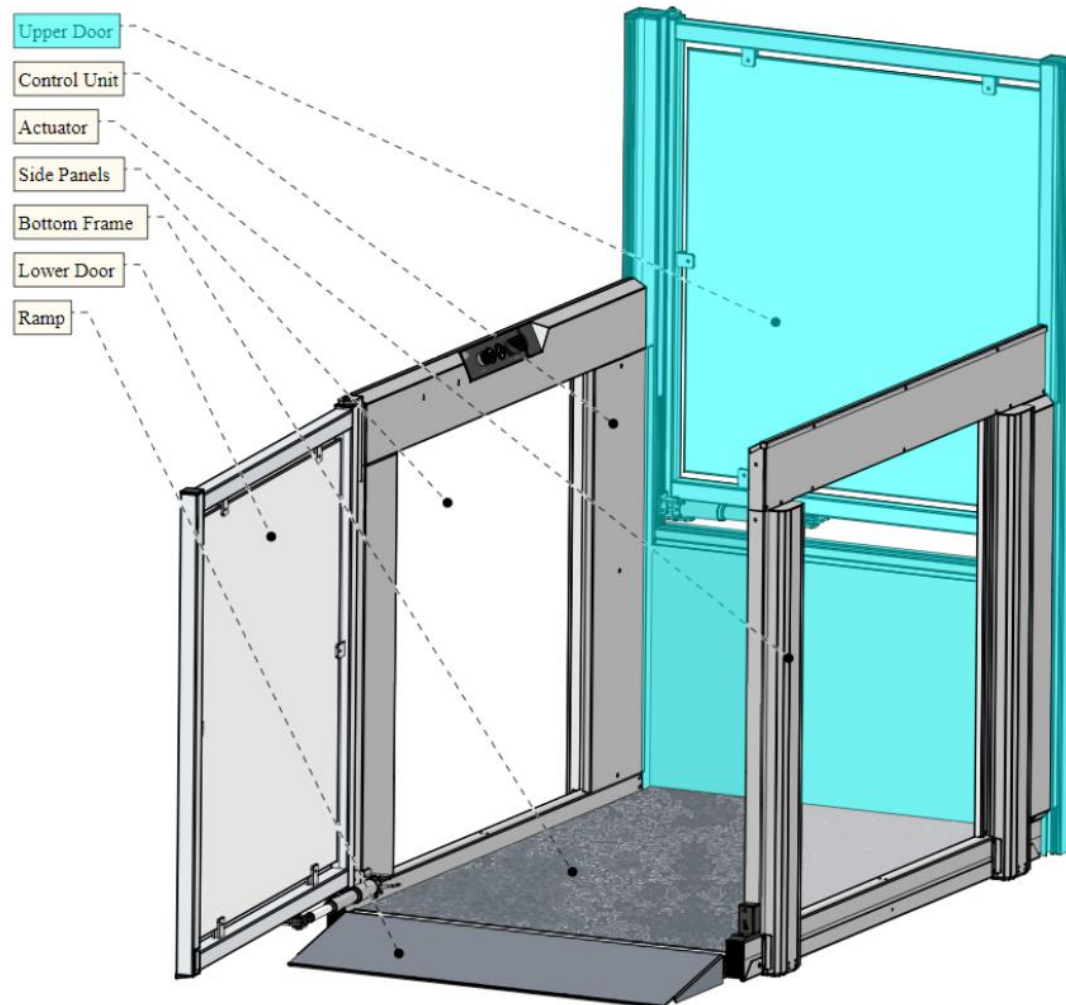


# EasyLift



# Name convention - EasyLift



# General Technical Info

**Lifting capacity** :400 kgs / 2 persons  
with overload protection (sound and stop warning)

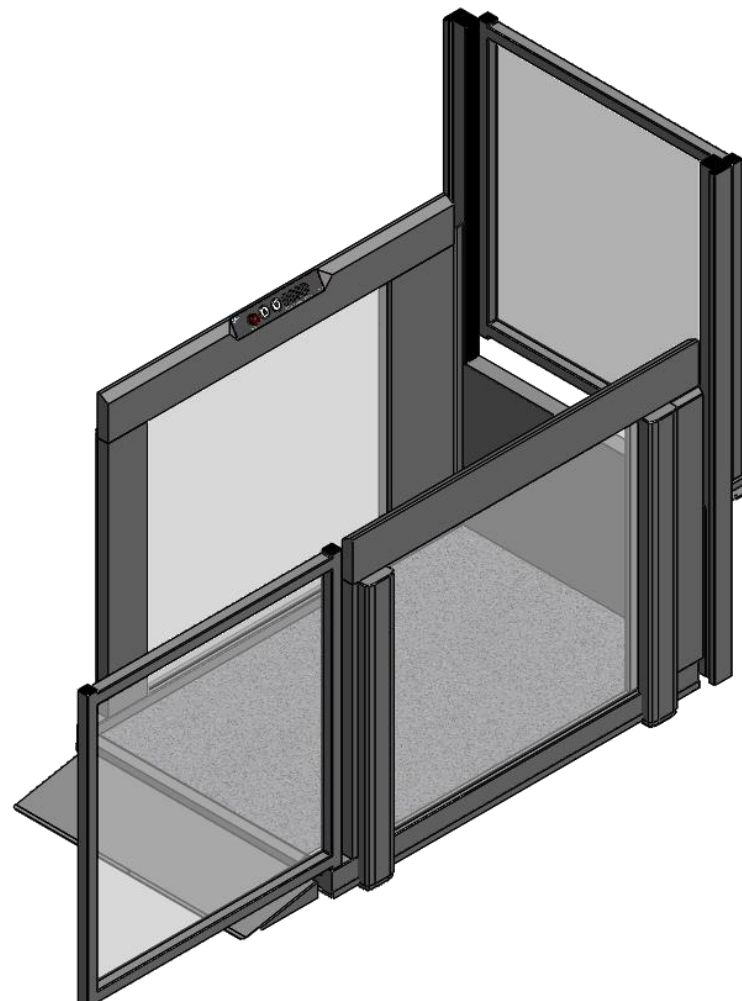
**Weight:** 125 - 205 kgs

**Sound level:** < 70 db.

**Lifting speed:** 40 mm per second

**Electrical connection:** 230VAC/50 Hz/10 A

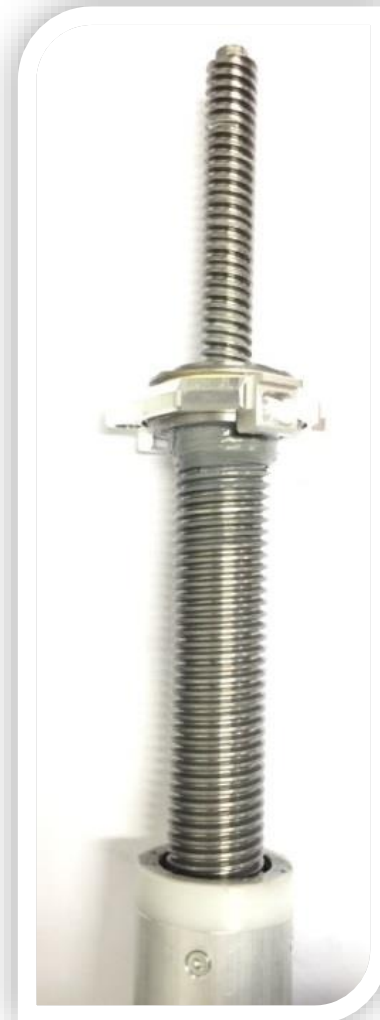
**Duty Circle:** 2 min duty / 5 min rest



# General Technical Info

## Actuators:

- ✓ Transport of heavy wheelchair equipment possible.
- ✓ Minimum wear with brushless motor / BLDC.
- ✓ Telescopic spindle drive.
- ✓ High speed/efficient drive unit.
- ✓ Advanced regulator.
- ✓ Comprehensive cycle test performed over a 2 year period on lifting and breaking capacity.



# General Technical Info

## Integrated Actuator Cables:

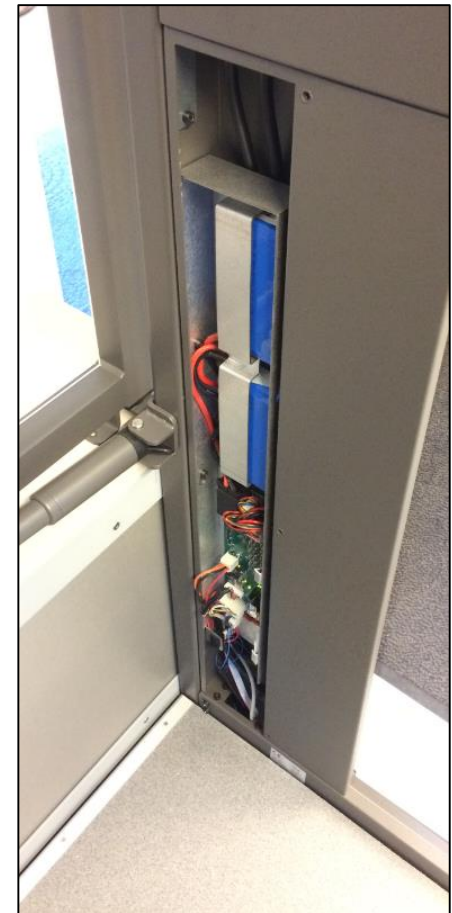
- ✓ High reliability.
- ✓ Industrial spiral cables.
- ✓ Less exposed to vandalism.
- ✓ No risk of damage in area below platform.



# General Technical Info

## Integrated Controller:

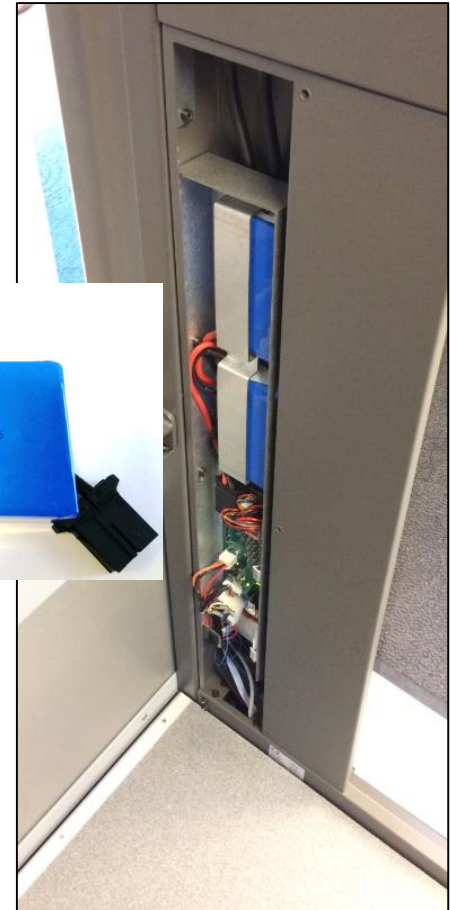
- ✓ Reduced installation time
- ✓ Less exposure to vandalism
- ✓ Easier maintenance
- ✓ Quicker trouble shooting



# General Technical Info

## Lithium Iron Phosphate Battery (LiFePO<sub>4</sub>, LFE):

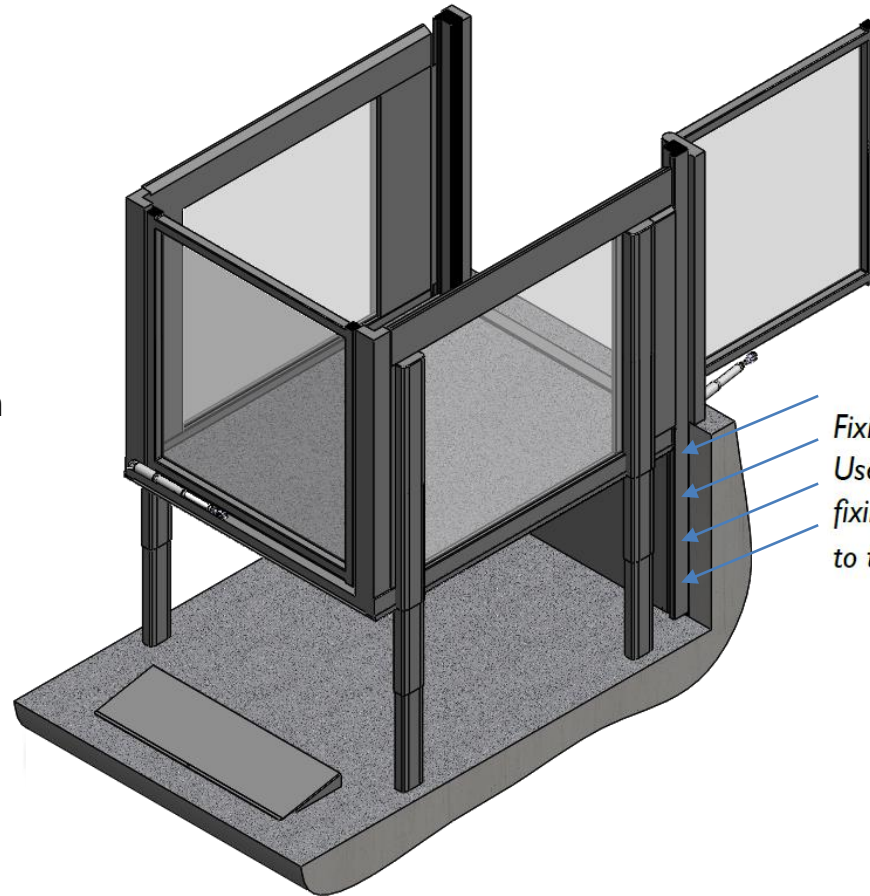
- ✓ Increased battery capacity and cycle time during power failure.
- ✓ Environmentally friendly.
- ✓ Protection against irreversible discharge.
- ✓ Safe – no overheating.
- ✓ **Duty cycle:** 2 min. / 5 min.
- ✓ **Capacity:** 400 kg
- ✓ **Battery Capacity:** 30 cycles at 25 °C
- ✓ Flat battery: 10 min. charge = 1 trip.
- ✓ Fully charged = 5 hours



# General Technical Info

## Aluminum - profiles:

- ✓ Installation time reduced.
- ✓ Easy to detach when performing maintenance in narrow areas.



*Fixing points:  
Use the appropriate  
fixing screw, adapted  
to the wall material*

# General Technical Info

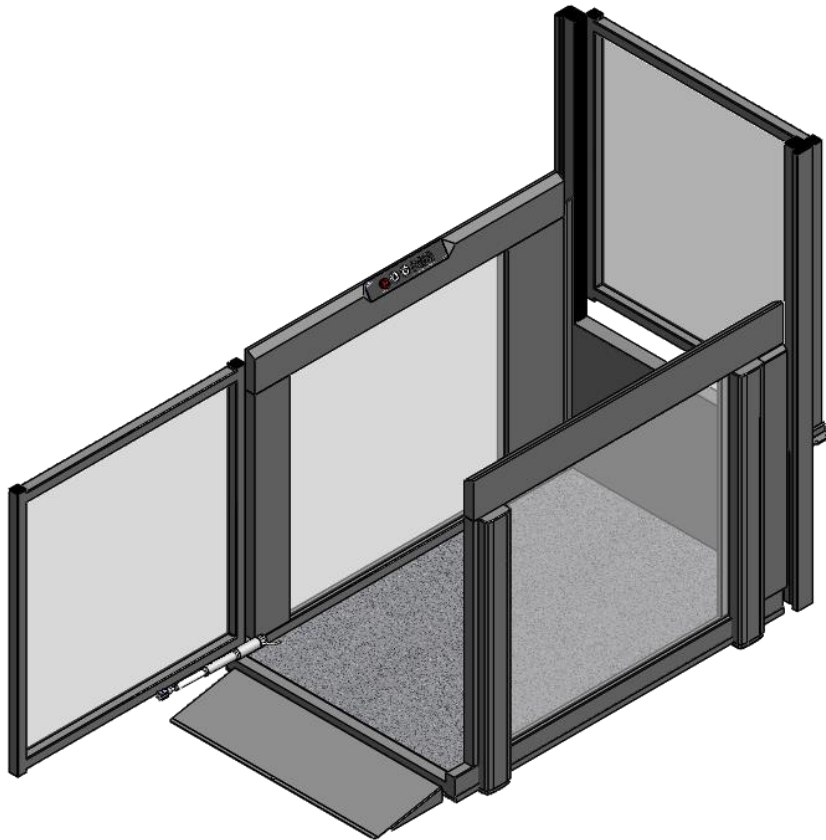


## Safety Plate under the platform

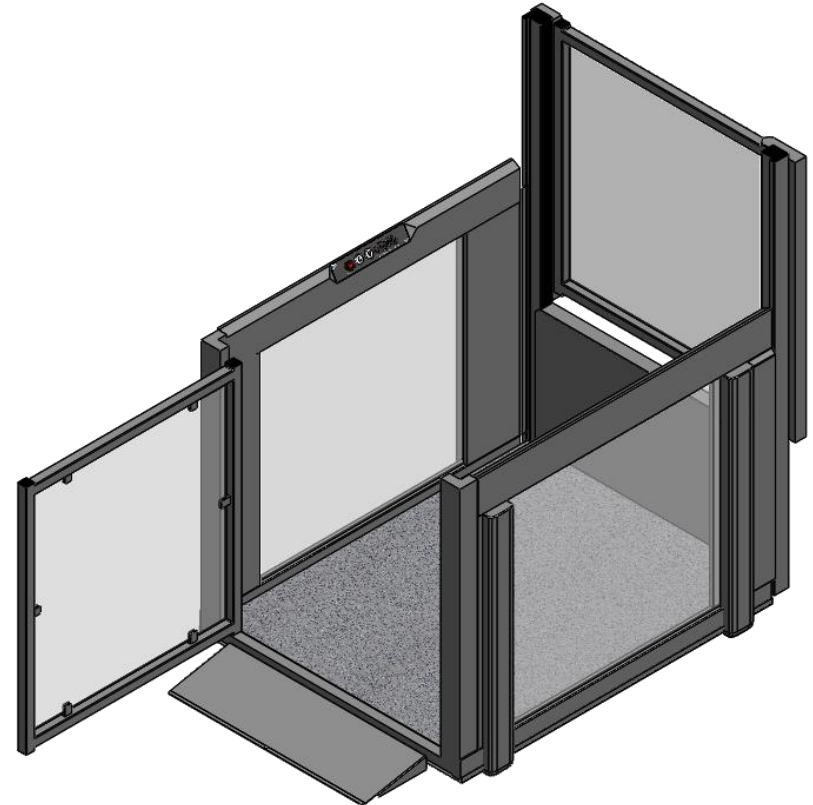
- ✓ Enhances level of safety.
- ✓ Stronger technology.



# EasyLift version (1/3)

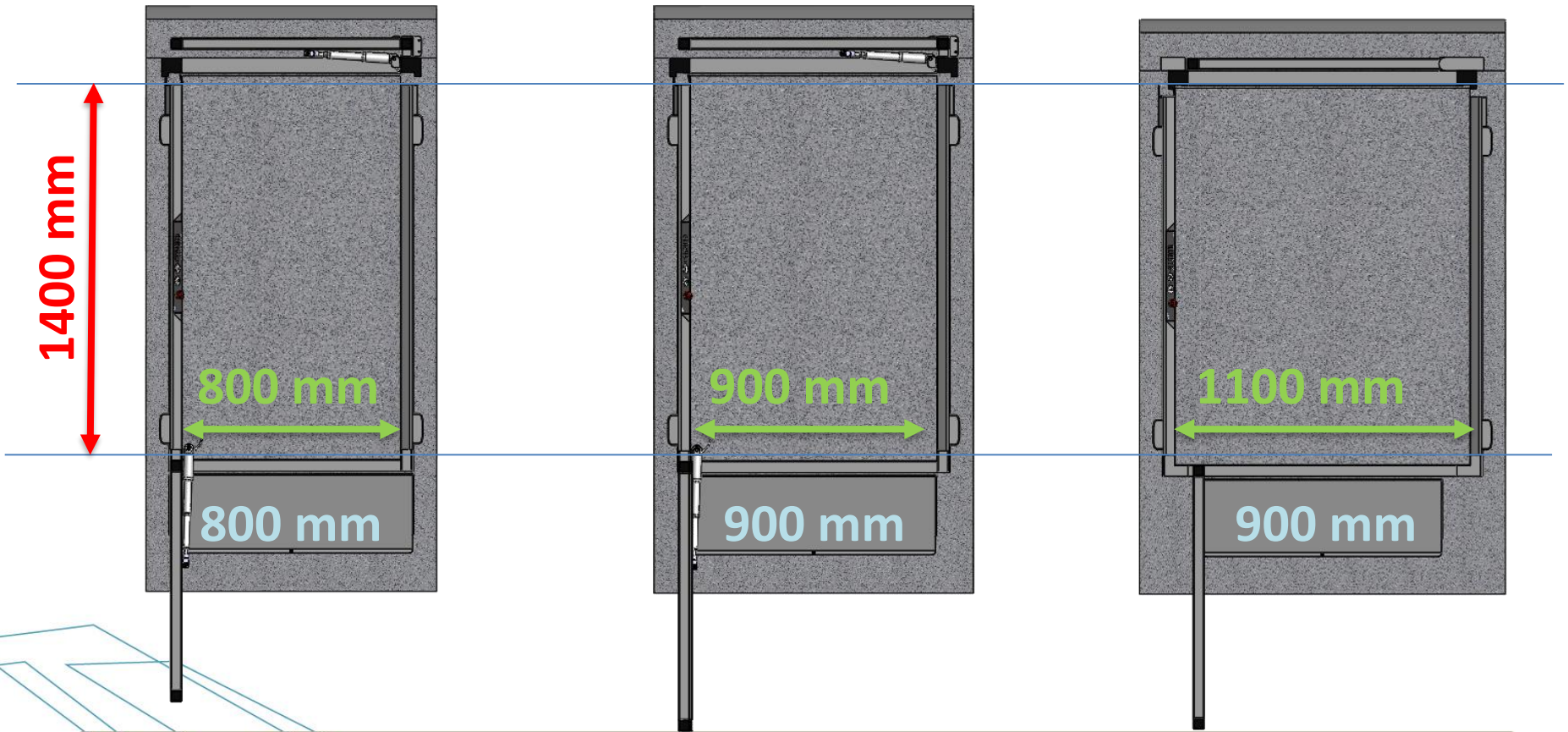


800 mm & 900 mm

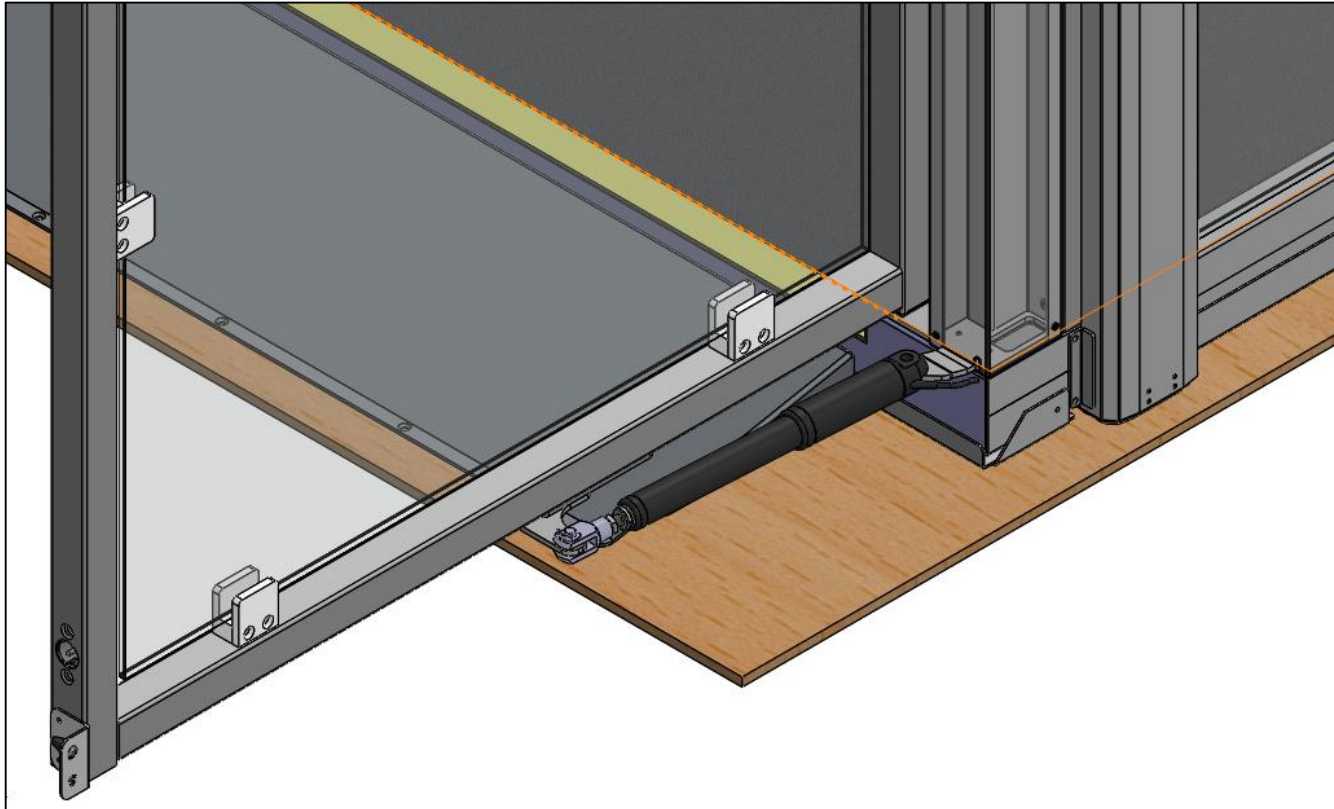


1100 mm

# EasyLift version (2/3)

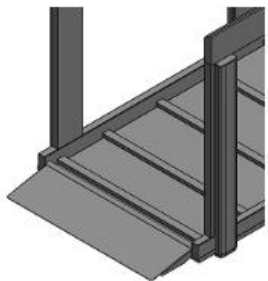


# EasyLift 1100 mm (3/3)

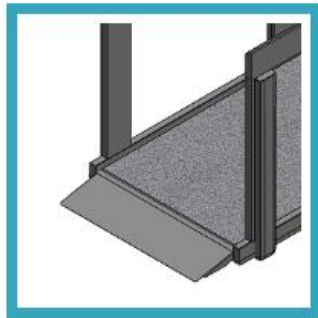


- Attachment of door actuator outside
- Glass panels in 442 (option)

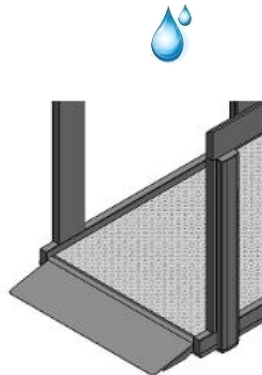
# Questionnaire – Flooring



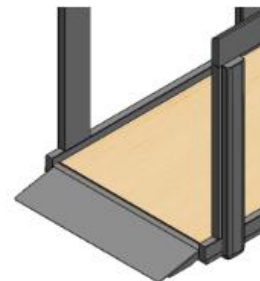
No flooring



non-skid Linoleum



Aluminium  
checker plate



Baseplate  
(plywood)



Baseplate,  
aluminum (6mm)



Can be used outdoor

# On board operating panel



# Questionnaire – Colour





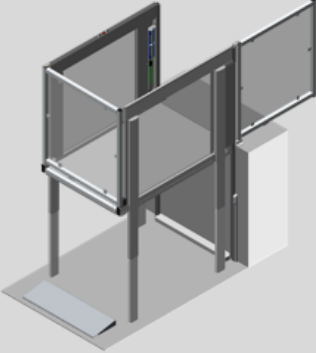
Std colour Akzo Nobel  
900 Sablé  
close to RAL 7022



## RAL colours – Options

RAL 9016 Beyaz White	RAL 7047 Açık Gri Light Grey	RAL 1018 Sarı Yellow	RAL 2010 Turuncu Orange	RAL 3000 Kırmızı Red	RAL 3004 Bordo Burgundy	RAL 5002 Koyu Mavi Dark Blue	RAL 0001500 Siyah Black	RAL 0003000 Carbon	RAL 0004000 Antrasit Anthracite
RAL 0005500 Koyu Gri Dark Grey	RAL 0007500 Gri Grey	RAL 0304050 Kırmızı Red	RAL 0305050 Kırmızı Red	RAL 0407020 Somon Salmon	RAL 0605005 Vizon Mink	RAL 0607050 Koyu Karamel Dark Caramel	RAL 0607070 Turuncu Orange	RAL 0705010 Gri, Kahve Grey, Brown	RAL 0706010 Gri, Kahve Grey, Brown
RAL 0707010 Gri, Kahve Grey, Brown	RAL 0708030 Sahara	RAL 0804005 Graft Gri Graphite Grey	RAL 0808005 Buz Gri Ice Grey	RAL 0808010 Sand	RAL 0809005 Krem Biscuit	RAL 0809010 Krem Bone	RAL 0809020 Açık Sarı Light Yellow	RAL 0858020 Bej Sand Beige	RAL 0909010 Krem Bone
RAL 0909040 Sarı Yellow	RAL 0958010 Krem Cream	RAL 0959010 Açık Sarı Light Yellow	RAL 1007005 Çimento Gri Cement Grey	RAL 1009005 Ultra Beyaz Ultra White	RAL 1308030 Açık Yeşil Light Green	RAL 1402020 Yosun Yeşili Moss Green	RAL 1407020 Pastel Yeşil Candy Green	RAL 1906025 Turkuaz Turquoise	RAL 2008020 Cam Gobeği Çalipso
RAL 2307015 Havuz Mavi Pool Blue	RAL 2406025 Mavi Blue	RAL 2503015 Mavi Blue	RAL 2507015 Mavi Blue	RAL 2603035 Gol Mavi Aqua Blue	RAL 2606030 Mavi 1 Blue 1	RAL 3007010 Lila Violet	RAL 3209005 Şafak Dawn	RAL 3403005 Gri, Bordo Grey Burgundy	RAL 3607005 Şafak Dawn

# Safety Options (1/2)



Locking of doors  
*Only available for version 1100 mm*

Automatic Door Pushing Left

No safety Options

Automatic Door Pushing Right

Automatic Door Pushing Right

Automatic Vertical Barrier

Position yourself on the platform facing the door to determine orientation

Automatic Door Pushing Left

Automatic Ramp  
*(Only Available Indoor)*

Top landing

Lower Level

# Safety Options (2/2)

## Automatic door

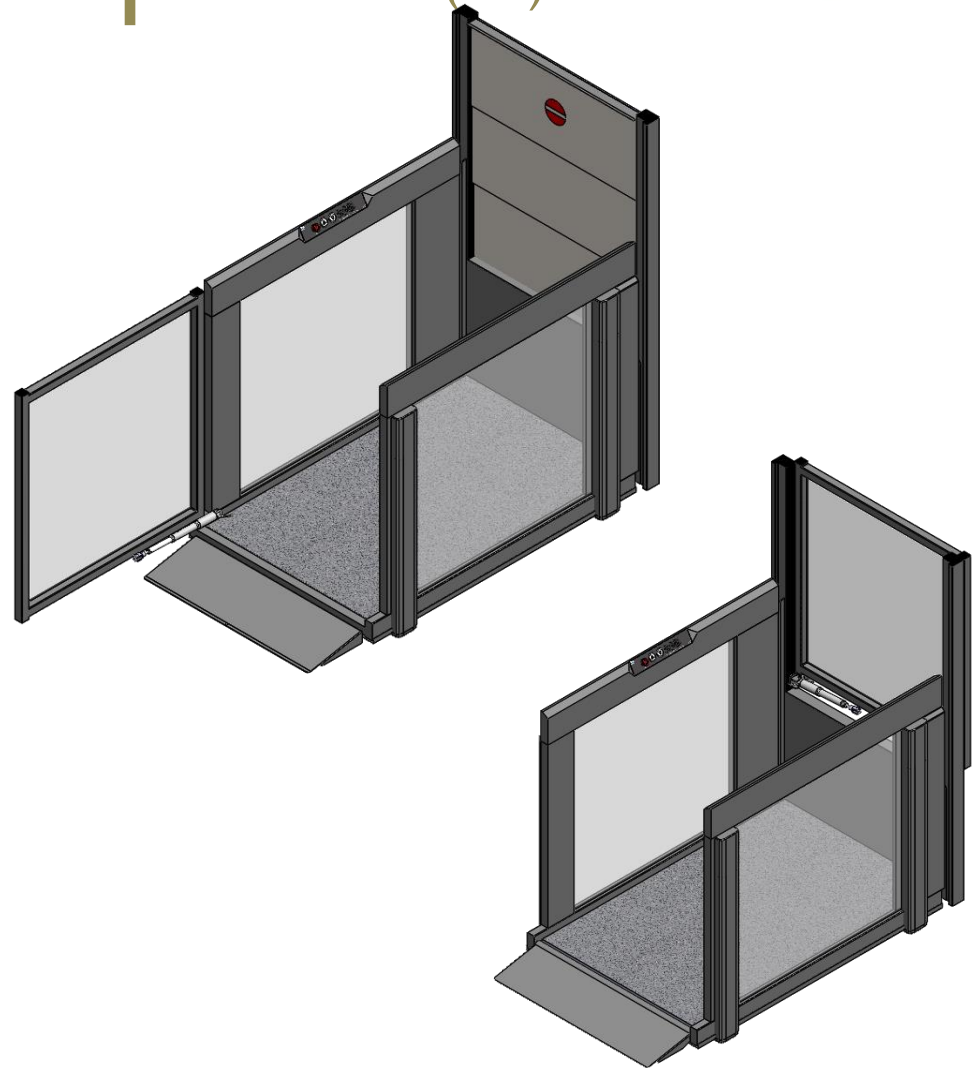
- ✓ Fully automatic
- ✓ Recommended on top if Lifting Height is  $>$  than 500 mm.

## Vertical Safety Barrier

- ✓ Fully closed at top landing

## Vertical Safety Barrier

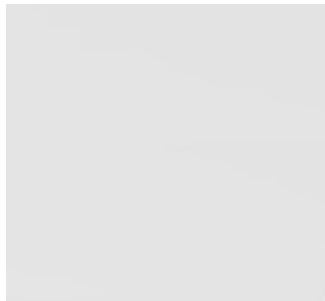
- ✓ Access ramp & Anti fall safety



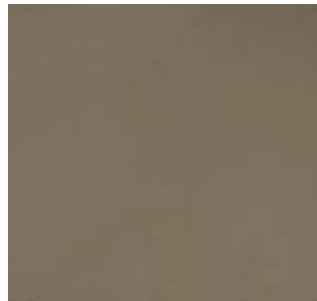
# Questionnaire – Side & Door colour



PC Clear  
All models



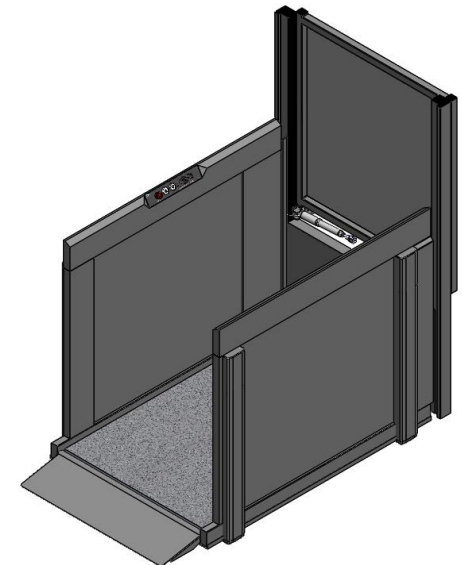
PC Smoke  
All models

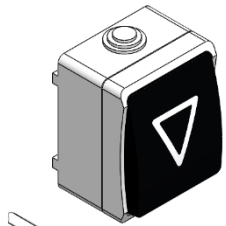


Safety Glass 442 – Option  
Only 1100 mm



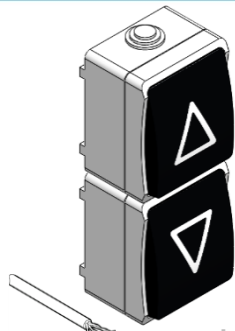
Empty or Others  
All models  
(Example: Alu 3 mm  
painted same colour as  
Lift / Ask Liftup)





107069

1



107070

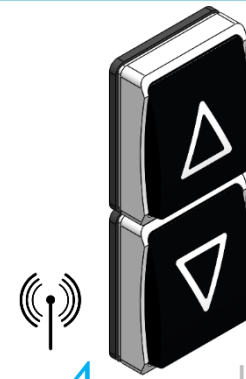
2



107071

107073

3

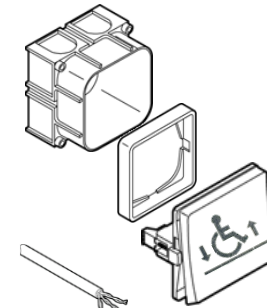


107072

4

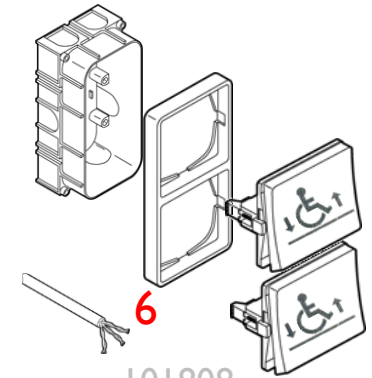


Call stations		✓ Lower Level		✓ Top landing		On board	
		Column	Wall	Column	Wall	Operating panel	
Standard	Push Buttons (1)					Standard	1-way
	Push Buttons (2)						2-way
	Push Buttons (3)	x		x			1-way
	Wireless* (4)						2-way
FUGA*	Flush Mounted for stone walls (5)						1-way
	Flush Mounted for stud walls (6)						2-way
	Flush Mounted for stud walls (7)						1-way
	Flush Mounted for stud walls (8)						2-way
	wall mounted in box (9)						1-way
Key switch - Call station (10)							2-way
No call stations / Cables Only (11)							2-way



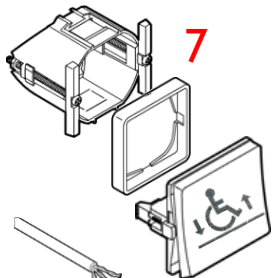
5

101762



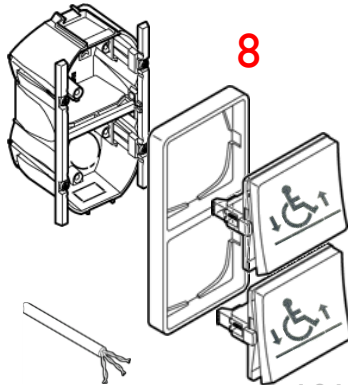
6

101808



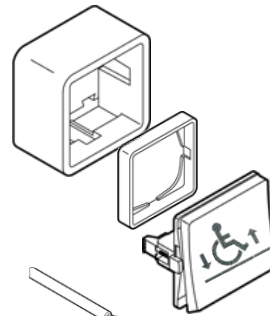
7

101763



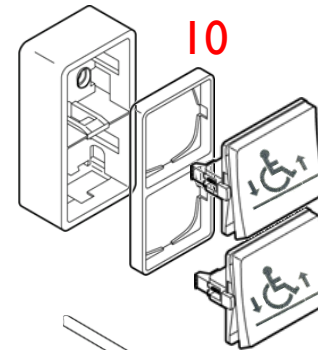
8

101810



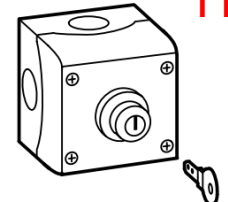
9

101761



10

101811

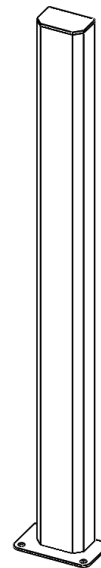


11

101620

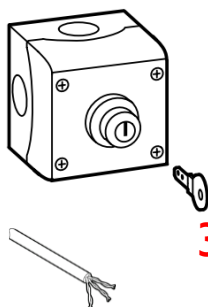


1



2

Remotes (Handheld) 1	Column for call 2	Keyswitch On / Off 3	Extra key for Call Stations 4



3



4

# Operation Panel Functionality



No Alarm



Alarm (relay output)  
potential free contact



Safeline 2-way comms (analogue)  
(need to have analog phone line)



Safeline 2-way comms (GSM)

# Packing

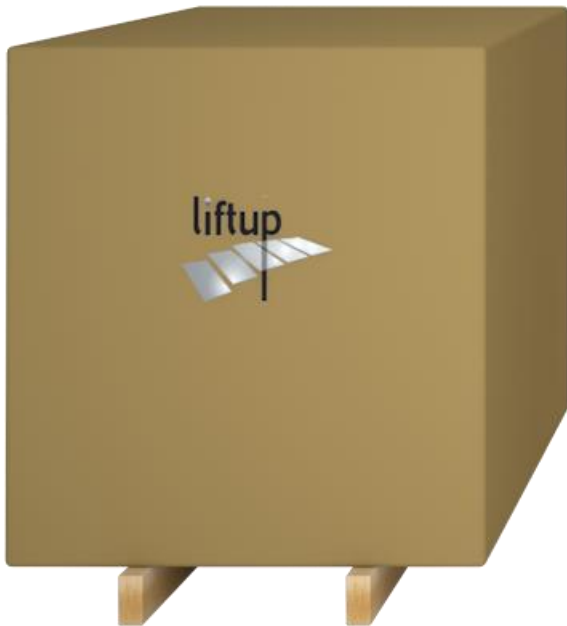


**Packing:**



Carton Pallet Box

Wood Pallet Box





## Declaration of Conformity

**Manufacturer:** Liftup A/S  
**Address:** Hagensvej 21, DK-9530 Støvring, Denmark  
**Telephone:** +45 9686 3020

hereby declares that:

**Equipment:** **EasyLift**  
 Lifting platform for wheelchair users and persons with impaired mobility

**Year:** 2016

Is in compliance with relevant safety and health requirements in:

**EMC-Directive:** 2014/30/EU  
**Machinery Directive:** 2006/42/EC  
**ROHS-Directive:** 2011/65/EU

At the assessment relevant parts of the following has been used:  
 DS/EN 60204 Safety of machinery – Electrical equipment of machines.  
 DS/EN 13849-1 and -2 Safety-related parts of control systems

Director

F Lemming Eriksen

Title

Name

Liftup A/S, Hagensvej 21, DK-9530 Støvring, Denmark

Place

14-04-2016

Date

Signature



# Plug & Use

