

FlexStep



Name convention - FlexStep



FlexStep - USP's



Space-saving installation: The convertible system saves the customer from having both stairs and lift. In places with limited space the FlexStep solution is often the only possibility for offering a friendly access possibility for wheelchair users and walking impaired.

Design: – easy to integrate due to a wide variety of design options. It is possible to integrate the FlexStep into almost any many types of surrounding. Design that fits many types of interior.

Configuration flexibility: We have more than 500000 different configurations possible!



FlexStep - USP's



Intelligent synchronized motors ensure calm and safe transport between levels even with maximum load.

No pit or other costly preparation needed:

- The installation concept of the FlexStep saves the customer from cost intensive constructions and reduces installation time.
- Safety protections ensure risk-free use of lift.



General Technical Info



Lifting capacity : 400 kgs / 2 persons
with overload protection (sound and stop warning)

Weight: 125 - 205 kgs

Sound level: < 70 db.

Lifting speed:

- ✓ +40°C to +5°C: 40 mm/s
- ✓ +5°C to -5°C: 20 mm/s
- ✓ -5°C to -20°C: 10 mm/s
- ✓ -20°C to -25°C: 10 mm/s (Max. 200kg)

Duty Circle: 2 min duty / 5 min rest

Electrical connection: 230 VAC/50 Hz/10 A

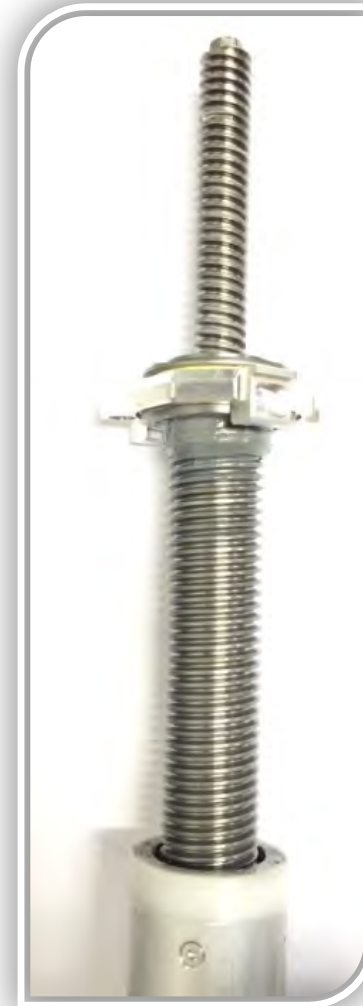


General Technical Info



Actuators:

- ✓ Transport of heavy wheelchair equipment possible.
- ✓ Minimum wear with brushless motor / BLDC.
- ✓ Telescopic spindle drive.
- ✓ High speed/efficient drive unit.
- ✓ Advanced regulator.
- ✓ Comprehensive cycle test performed over a 2 year period on lifting and breaking capacity.



General Technical Info



Integrated Actuator Cables:

- ✓ High reliability.
- ✓ Industrial spiral cables.
- ✓ Less exposed to vandalism.
- ✓ No risk of damage in area below platform.

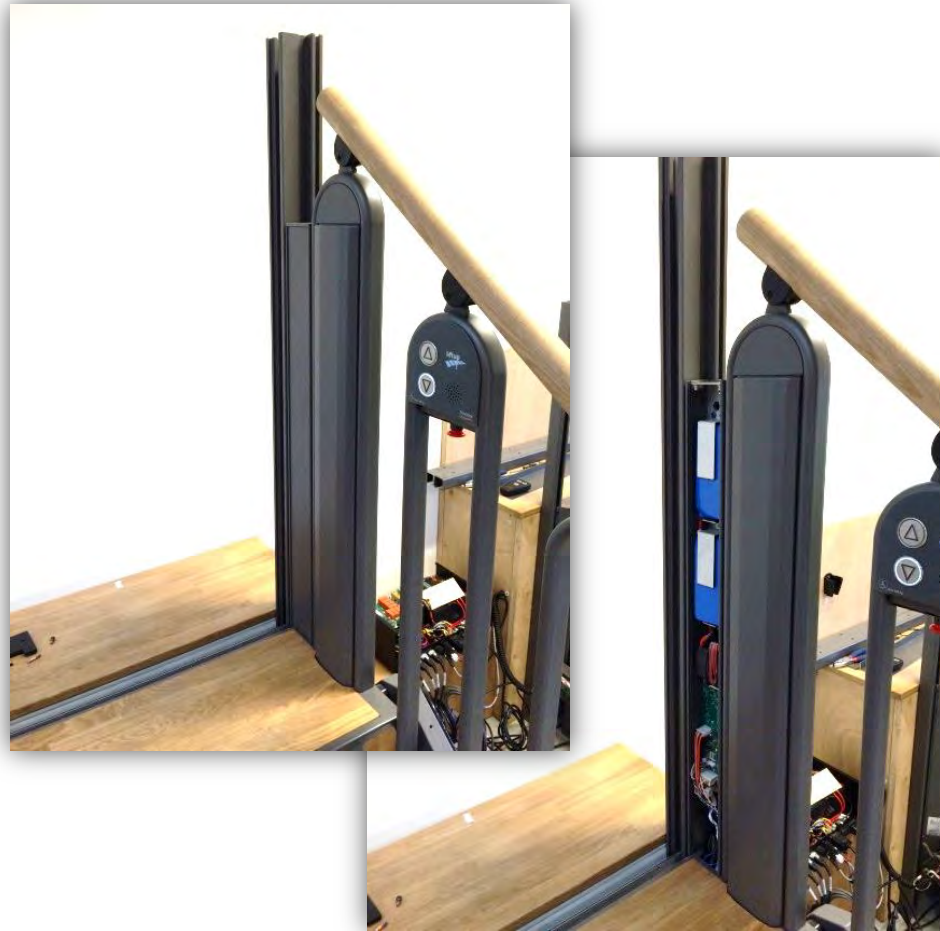


General Technical Info



Integrated Controller:

- ✓ Reduced installation time
- ✓ Less exposure to vandalism
- ✓ Easier maintenance
- ✓ Quicker trouble shooting



General Technical Info

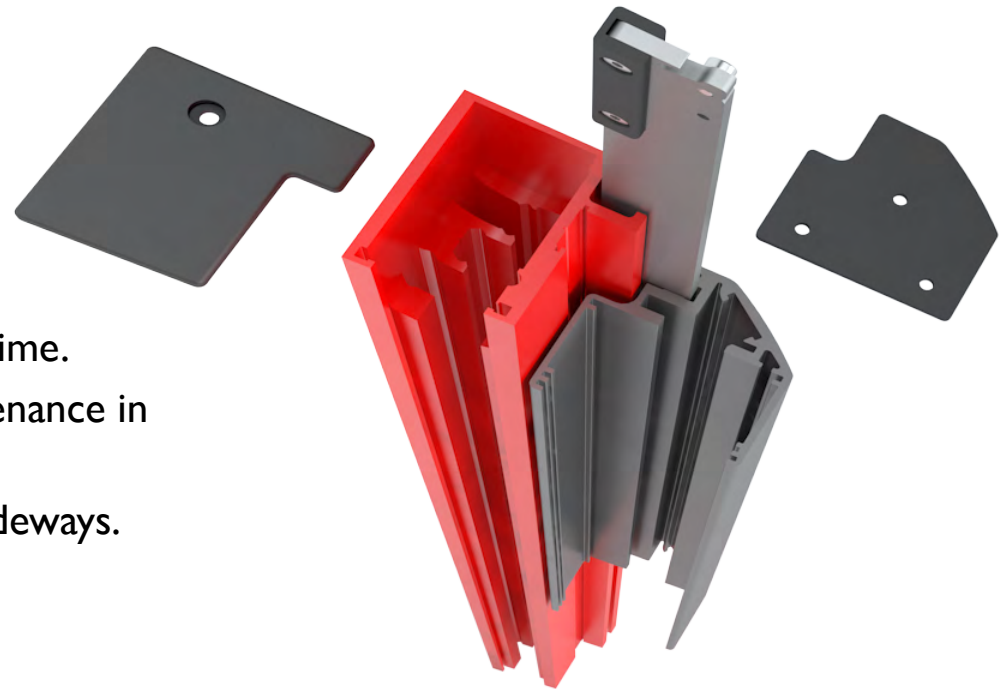


Lithium Iron Phosphate Battery (LiFePO₄, LFE):

- ✓ Increased battery capacity and cycle time during power failure.
- ✓ Environmentally friendly.
- ✓ Protection against irreversible discharge.
- ✓ Safe – no overheating.
- ✓ **Duty cycle:** 2 min. / 5 min.
- ✓ **Capacity:** 30 cycles at 25 °C
- ✓ Flat battery: 10 min. charge = 1 trip.
- ✓ Fully charged = 5 hours



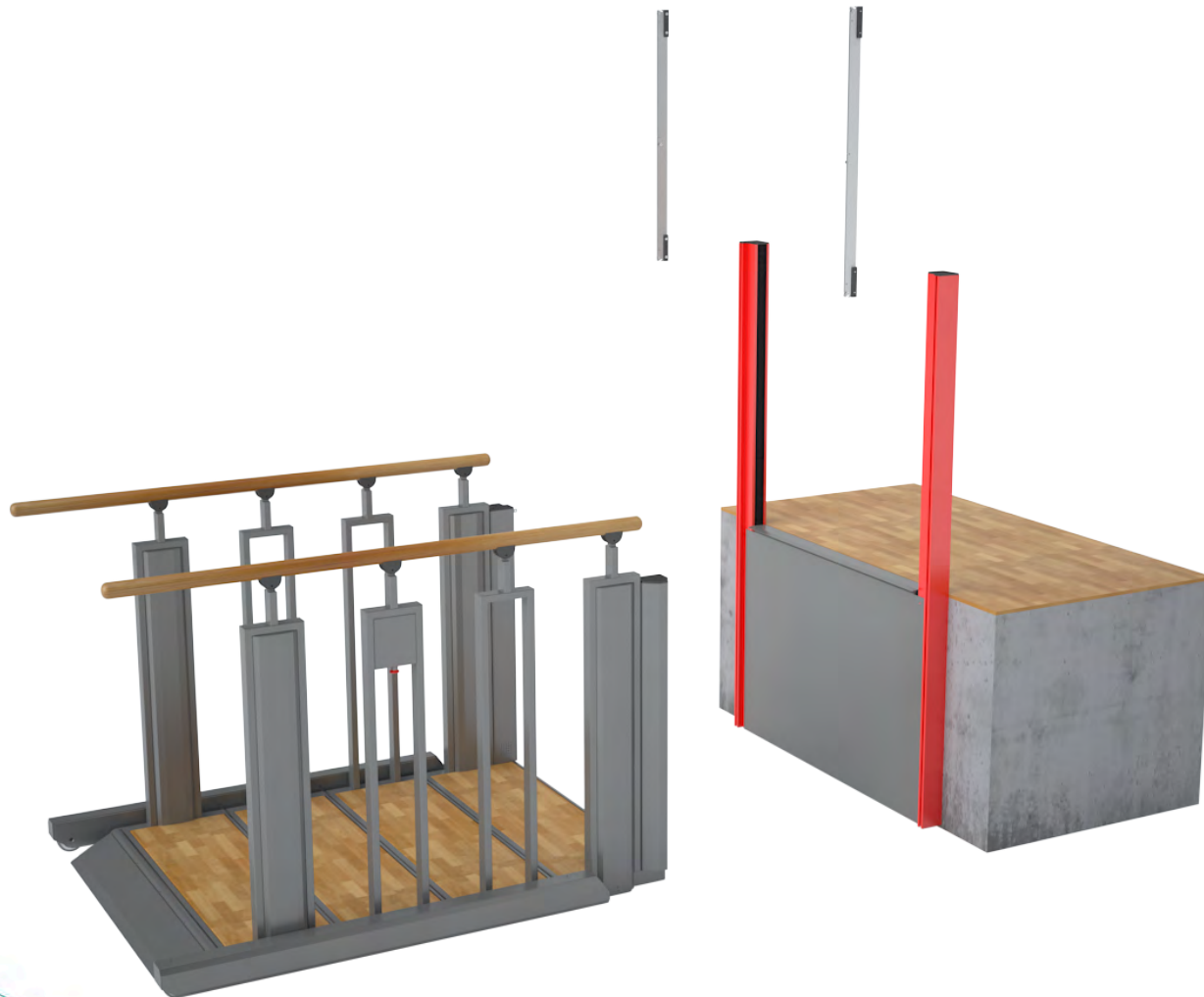
General Technical Info



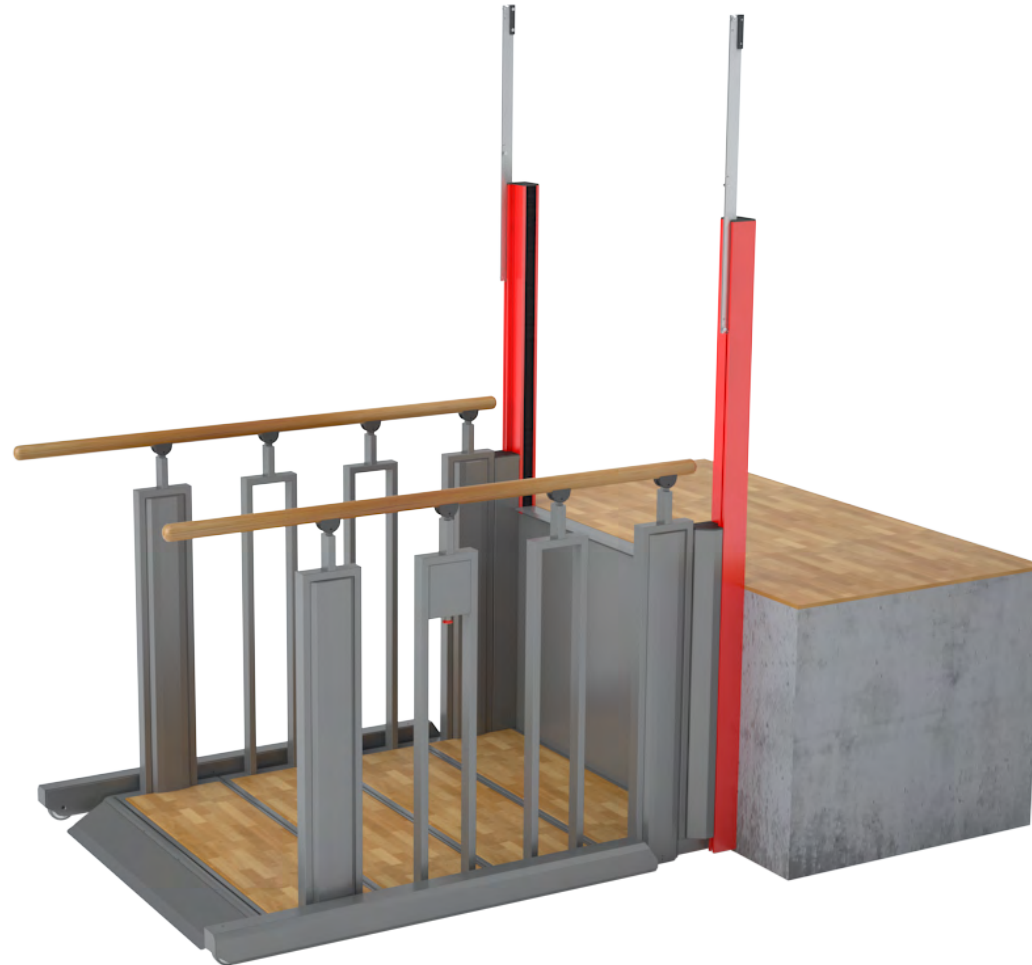
Wall profiles:

- ✓ Quick assembly – reduced installation time.
- ✓ Easy to detach when performing maintenance in narrow areas.
- ✓ Possible to remove master actuators sideways.
- ✓ Faster to perform service/maintenance.

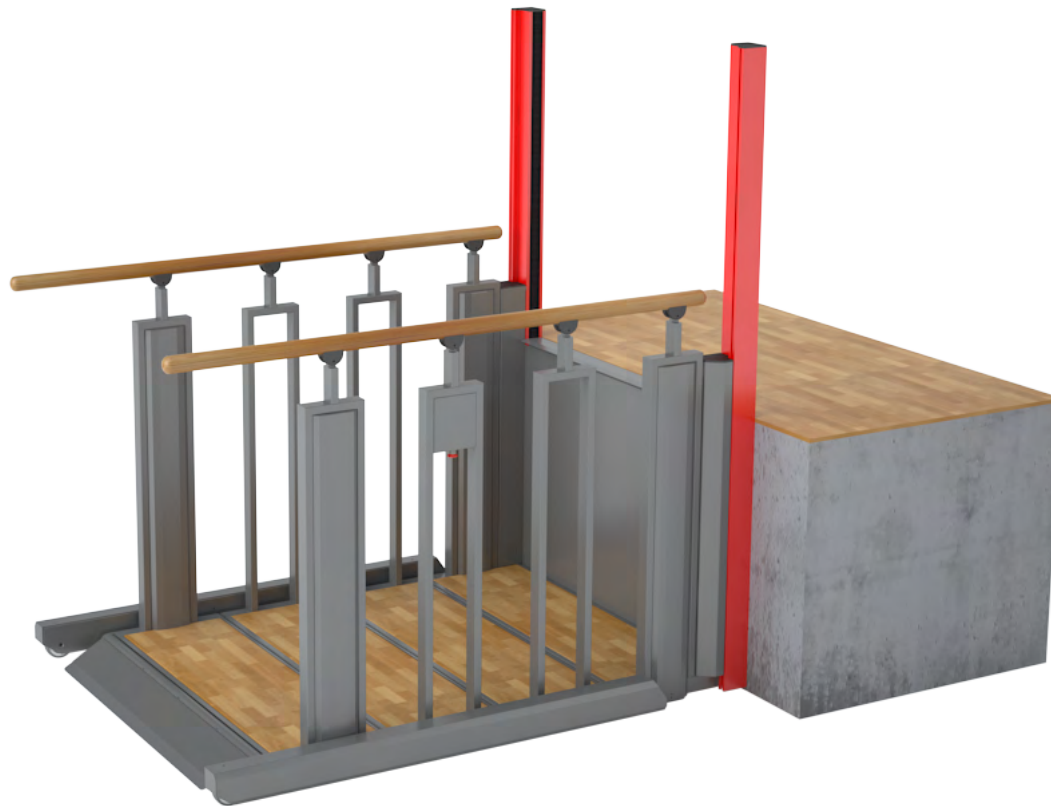
Easy Fitting to the wall – step 1



Easy Fitting to the wall – step 2



Easy Fitting to the wall – step 3



General Technical Info



I/R Safety Sensors **two I/R sensors per step + one for the ramp**

- ✓ Enhances level of safety.
- ✓ Stronger technology.



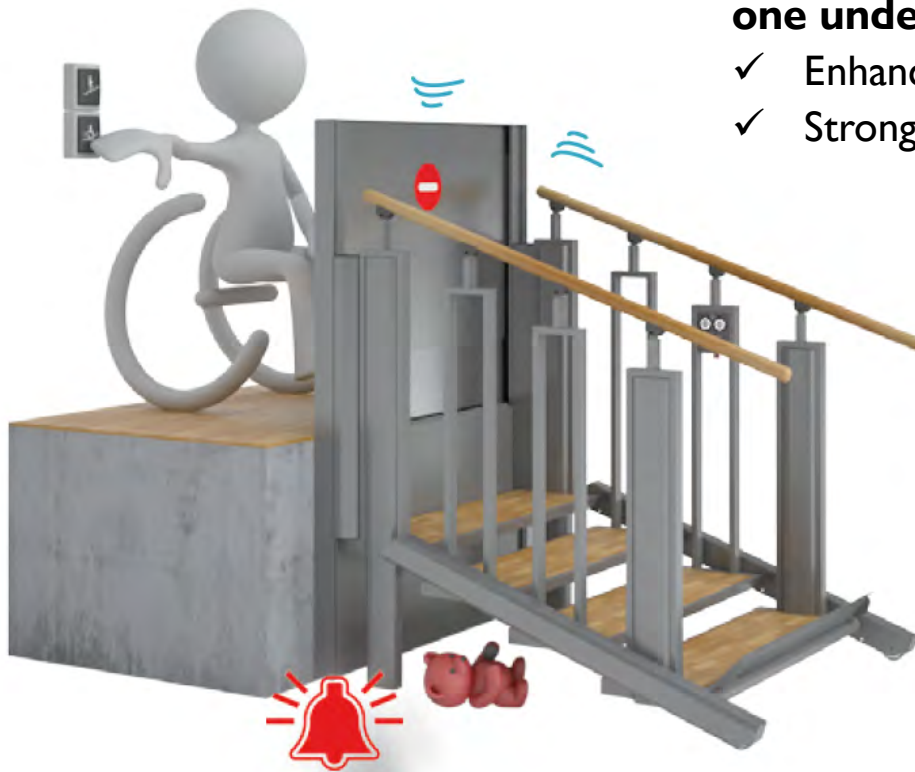
General Technical Info



Safety Plates

one under each step + one on each stinger

- ✓ Enhances level of safety.
- ✓ Stronger technology.



General Technical Info



Vertical Safety Barrier

- ✓ Fully closed at top landing
- ✓ Ball bearing guided system
- ✓ Durable Drive System – long term cycle test (2 years)
- ✓ EN81-41 compliant



Outdoor version

Stainless steel



Stainless steel parts + Spray on PCB + Grease on all contacts
(Outdoor version)

Aluminium parts
(indoor and outdoor version)

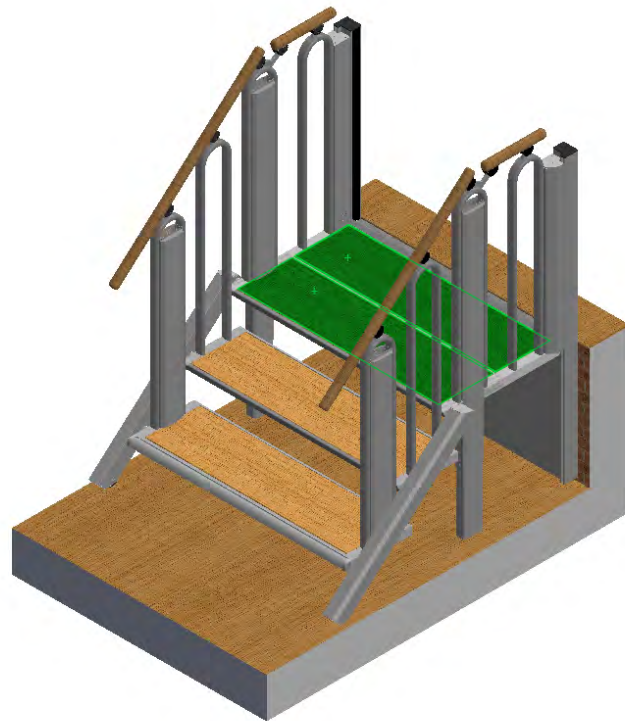


Increased lifetime and improved performance when used outdoors

3+1 or 4+1 option



3+1 Model

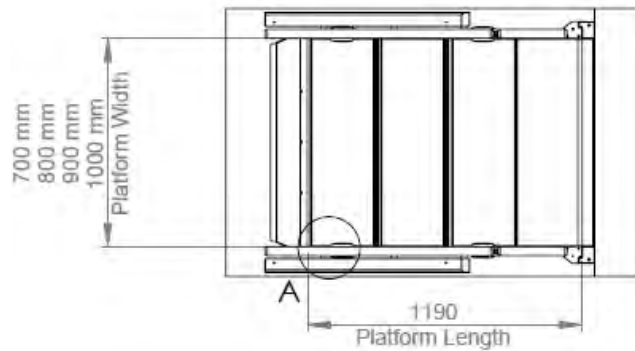


4+1 Model

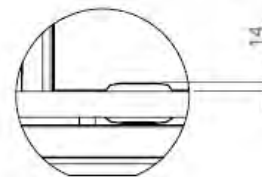
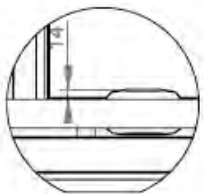
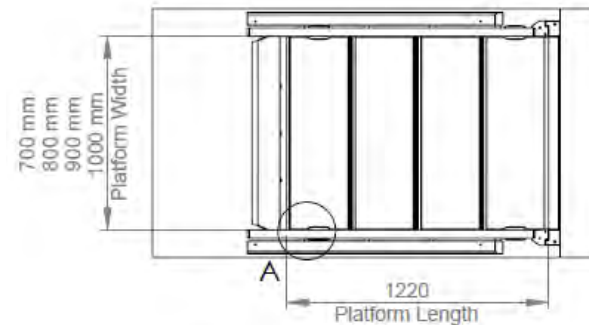
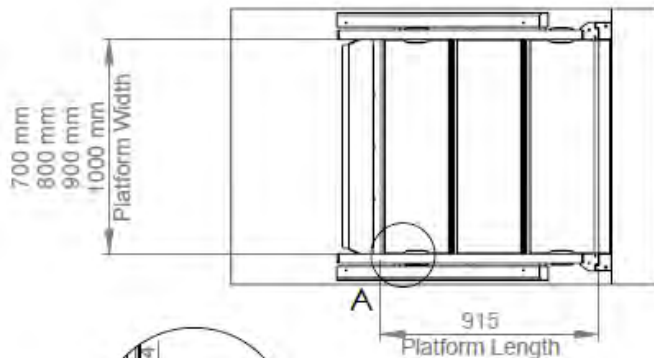
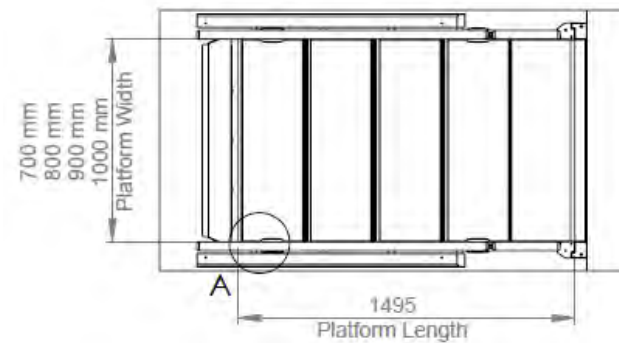


3+1 or 4+1 option

3+1 Model



4+1 Model



2 stop function

Integrated as standard



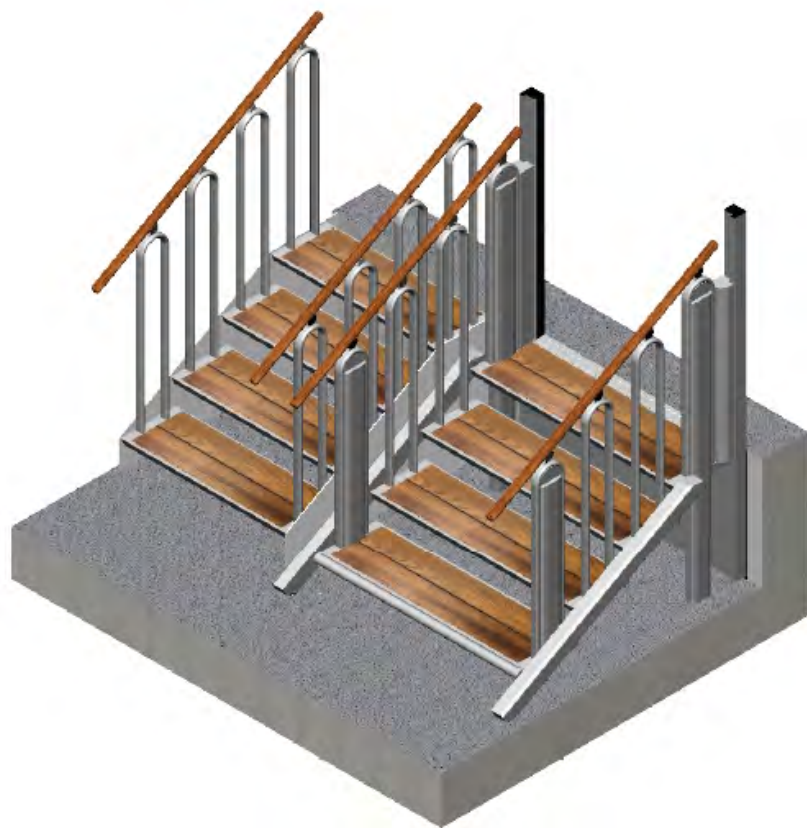
1 stop version



2 stop version



FlexStep + Fixed Staircase



Vertical Safety Barrier Option



No Vertical Barrier



Vertical Barrier



Automatic Door Option



LH Side

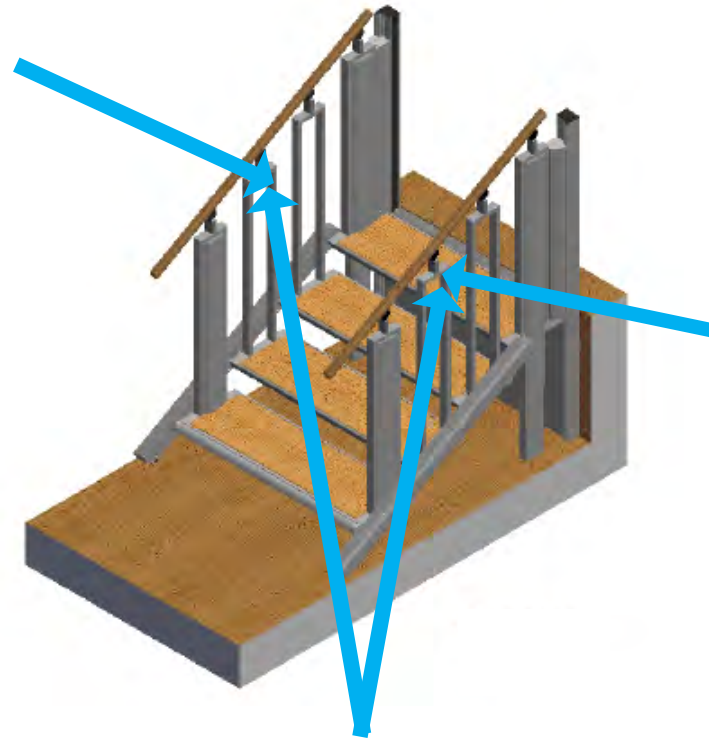


RH Side



Operating Panels

Left Hand Side



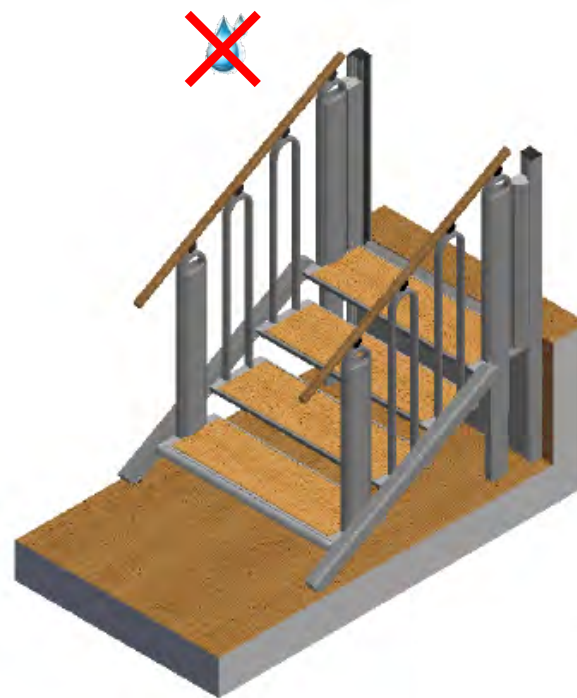
Right Hand Side

Dual Side

Balustrade options



Square
(Outdoor & Indoor)



Round
(Indoor only)



Questionnaire – Colour



Standard colour Akzo Nobel
900 Sablé
(close to RAL 7022)

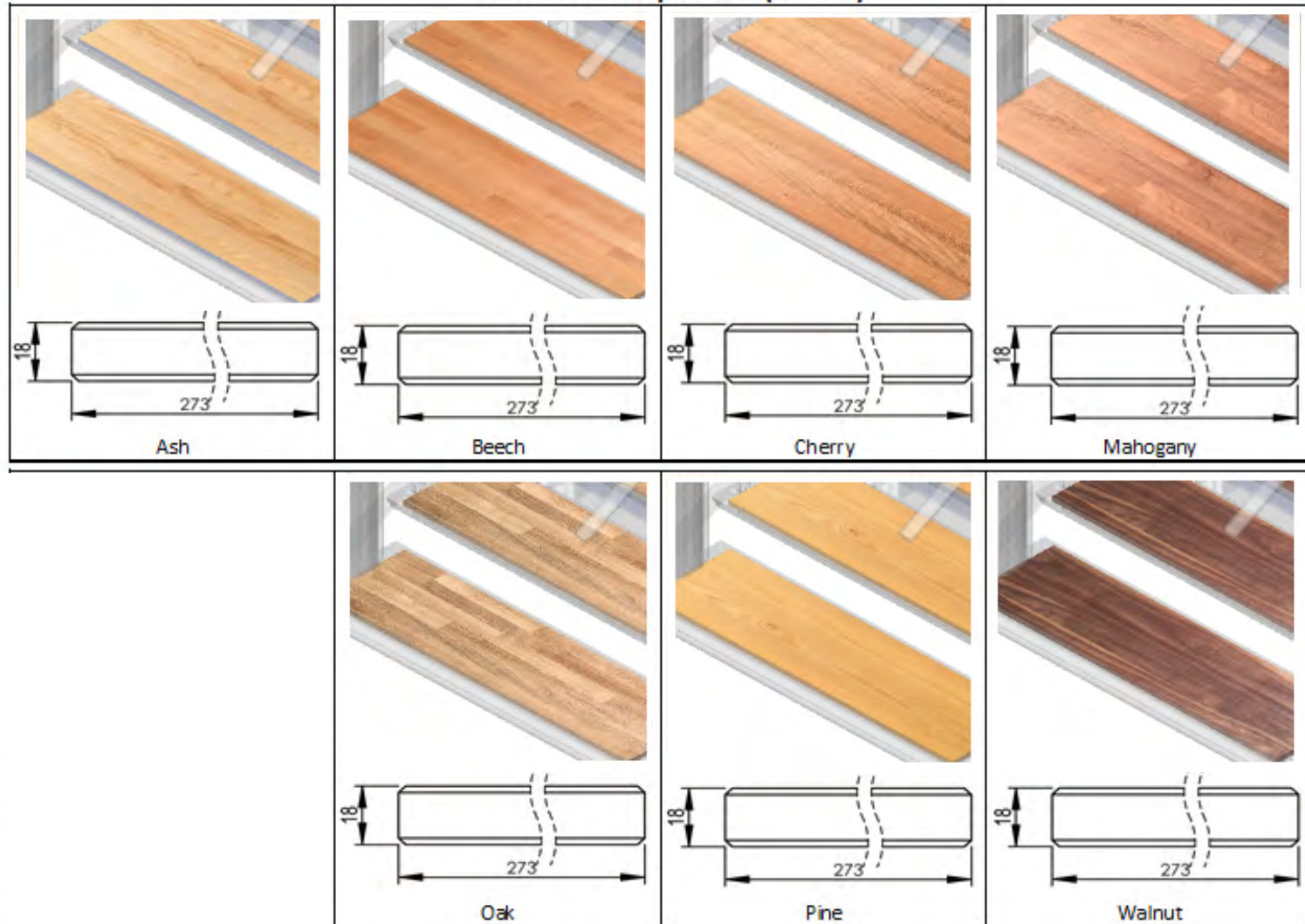


RAL colours – Options

									
RAL 9016 Beyaz White	RAL 7047 Açık Gri Light Grey	RAL 1018 Sarı Yellow	RAL 2010 Turuncu Orange	RAL 3000 Kırmızı Red	RAL 3004 Bordo Burgundy	RAL 5002 Koyu Mavi Dark Blue	RAL 000150 Siyah Black	RAL 0003000 Carbon	RAL 0004000 Antrasit Anthracite
									
RAL 0005500 Koyu Gri Dark Grey	RAL 0007500 Gri Grey	RAL 0304050 Kırmızı Red	RAL 0305050 Kırmızı Red	RAL 0407020 Somon Salmon	RAL 0605005 Vizon Mink	RAL 0607050 Koyu Karamel Dark Caramel	RAL 0607070 Turuncu Orange	RAL 0705010 Gri, Kahve Grey, Brown	RAL 0706010 Gri, Kahve Grey, Brown
									
RAL 0707010 Gri, Kahve Grey, Brown	RAL 0708030 Sahara	RAL 0804005 Grafit Gri Graphite Grey	RAL 0808005 Buz Grisi Ice Grey	RAL 0808010 Sand	RAL 0809005 Krem Biscuit	RAL 0809010 Krem Bone	RAL 0809020 Açık Sarı Light Yellow	RAL 0858020 Bej Sand Beige	RAL 0909010 Krem Bone
									
RAL 0909040 Sarı Yellow	RAL 0958010 Krem Cream	RAL 0959010 Açık Sarı Light Yellow	RAL 1007005 Çimento Gri Cement Grey	RAL 1009005 Ultra Beyaz Ultra White	RAL 1308030 Açık Yeşil Light Green	RAL 1402020 Yosun Yeşili Moss Green	RAL 1407020 Pastel Yeşil Candy Green	RAL 1906025 Turkuaz Turquoise	RAL 2008020 Cam Gobeği Çalipso
									
RAL 2307015 Havuz Mavi Pool Blue	RAL 2406025 Mavi Blue	RAL 2503015 Mavi Blue	RAL 2507015 Mavi Blue	RAL 2603035 Gol Mavi Aqua Blue	RAL 2606030 Mavi 1 Blue 1	RAL 3007010 Lila Violet	RAL 3209005 Şafak Dawn	RAL 3403005 Gri, Bordo Grey Burgundy	RAL 3607005 Şafak Dawn

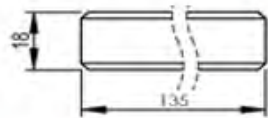
Step Insert options

Indoor Wood Step Inserts (Glulam)



Step Insert options

Outdoor Wood Step Inserts



Mahogany Plank

Step Insert Special



Handrail options



No Handrails



Ash



Beech



Cherry



Mahogany



Oak



Pine



Walnut



Teak



Flat hand bar -
stainless steel



Flat hand bar -
painted



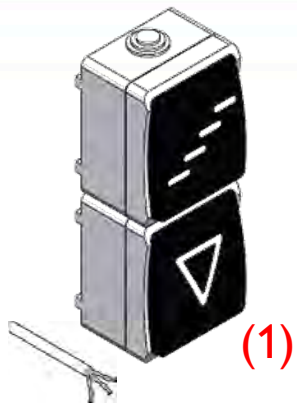
Stainless Steel
(Round)



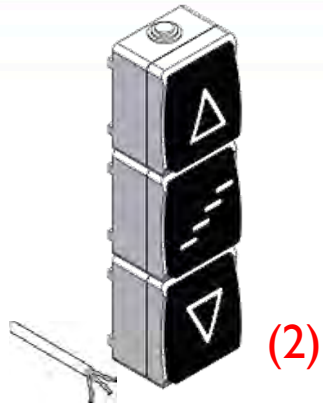
Metal painted
(Round)



Brass (Round)



(1)



(2)



(3)



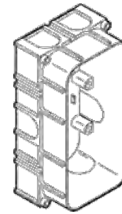
(4)



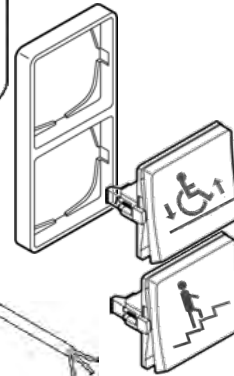
Call stations		✓ Lower Level		✓ Top landing		
		Column	Wall	Column	Wall	
Standard	Push Buttons (1)					2-way
	Push Buttons (2)					3-way
	Push Buttons (3)		x		x	2-way
	Wireless* (4)					3-way
FUGA*	Flush Mounted (5)	■		■		2-way
	for stone walls (6)	■		■		3-way
	Flush Mounted (7)					2-way
	for stud walls (8)					3-way
	wall mounted (9)	■		■		2-way
	in box (10)	■		■		3-way
Key switch - Call station (11)						3-way
No call Stations / Cables Only						

* = for indoor use only

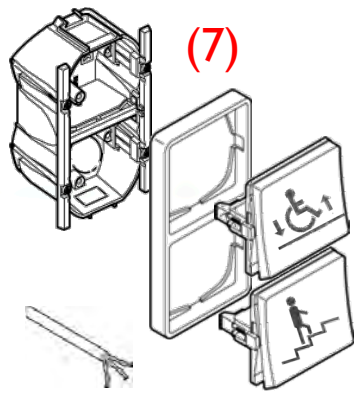
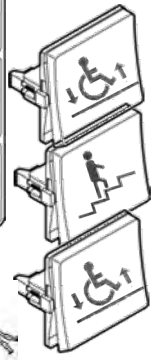
2-way: serves (up or down) and Steps // 3-way: s



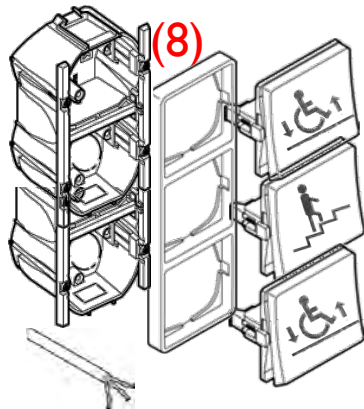
(5)



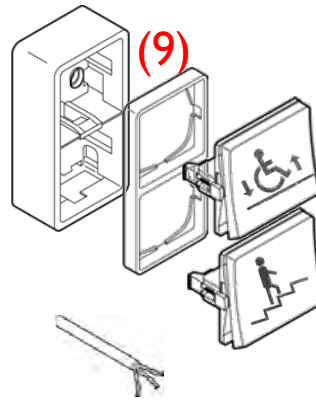
(6)



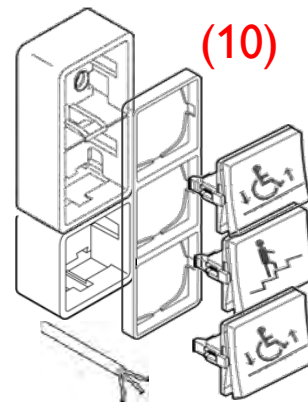
(7)



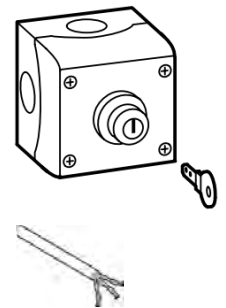
(8)



(9)



(10)



(11)

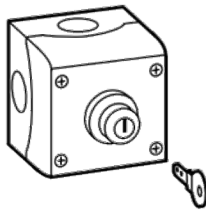


1



2

Remotes (Handheld) 1	Column for call 2	Keyswitch On / Off 3	Extra key for Call Stations 4



3



4

Operating panel Functionality



- ✓ **Improved usability**
- ✓ **Illuminated platform - Adjustable intensity**
- ✓ **EN81-41 compliant**
- ✓ **4 different versions**



Operating panel Functionality

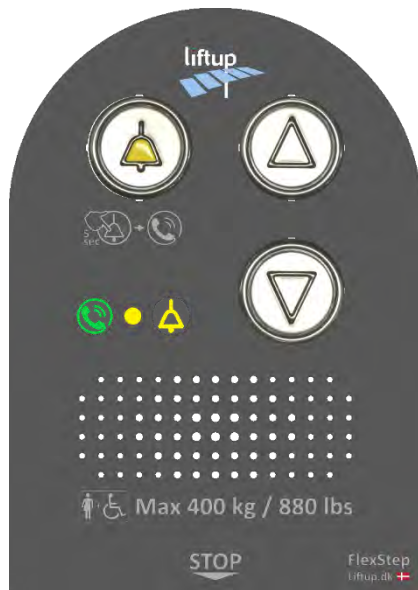


- ✓ **Standard Up/Down**
- ✓ **No Alarm**



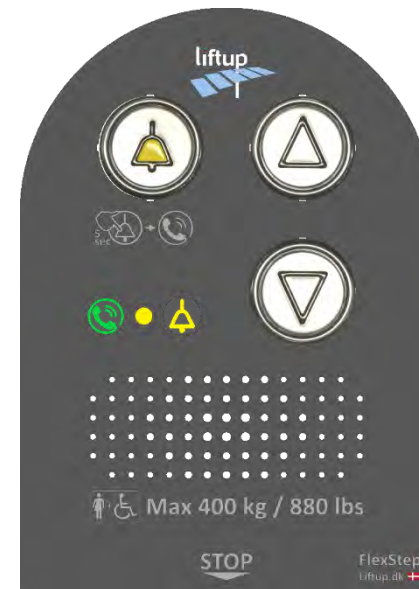
- ✓ **Basic Alarm Option**
- ✓ **Provides a potential free contact (to be used for a bell..)**

Operating panel Functionality



- ✓ **Safeline Alarm**
- ✓ **Needs to be connected to analogue line**

- ✓ **Safeline Alarm + GSM**
- ✓ **Customer needs a SIM card only.**



USING THE FLEXSTEP LIFT

1. PRESS AND HOLD



2. STAIR DOWN



3.



max. 400 KG



4. PRESS AND HOLD



5. PLATFORM DOWN

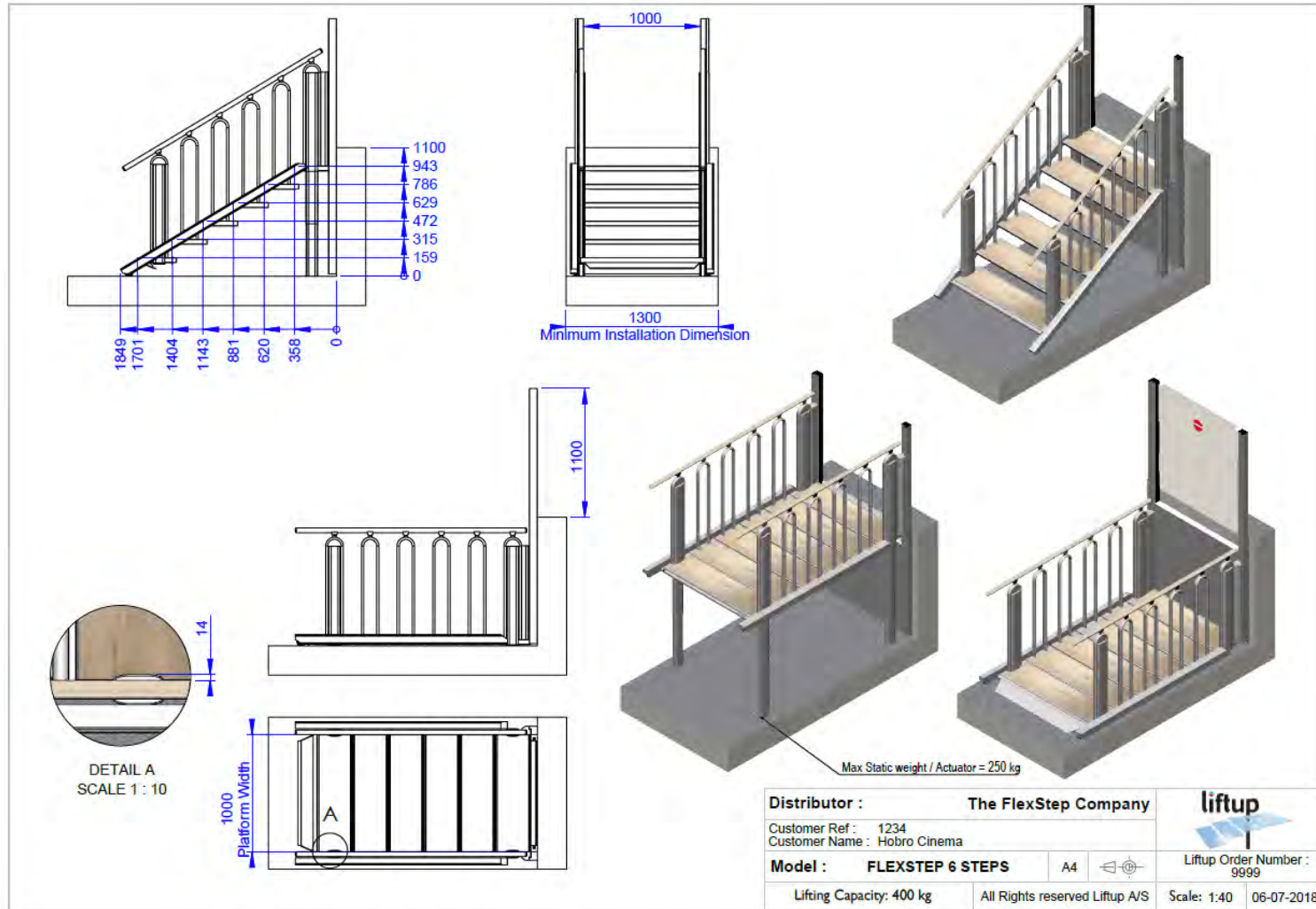


6.



UPPER LANDING

3D Drawings, pdf, dxf, dwg



Plug & Use

